

Product Description

HF-Performer TL5 Circular

Compact, square, lightweight, High Frequency electronic ballasts for TL5 Circular lamps

Výhody

- 50% longer lamp life than with conventional ballasts
- Up to 25% energy saving at constant luminous flux compared with conventional ballasts
- Constant light independent of mains voltage fluctuations

Vlastnosti

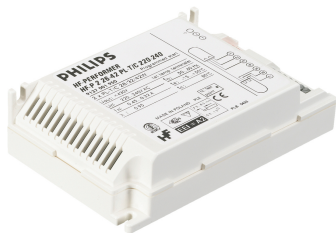
- Programmed start: flicker-free, warm-start circuit
- Protected against excessive mains voltages
- Automatic stop circuit (safety stop) is activated within 5 seconds in case of lamp failure; ballast resets automatically after lamp replacement

Aplikácie

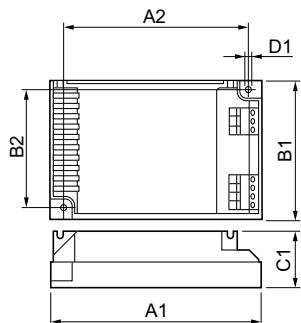
- Ideal for commercial indoor lighting applications where it is necessary to reduce the wattage per square meter or operating costs
- Used with movement-detection control systems like Philips OccuPlus
- Mainly for indoor applications such as spotlights, downlights and recessed fixtures used primarily in retail stores, office buildings, supermarkets, hotels and convenience stores

HF-Performer TL5 Circular

Versions



Rozmerový obrázok



Product	D1	C1	A1	A2	B1	B2
HF-P 155 TL5C 220-240V 50/60Hz	4.5 mm	30.0 mm	103.0 mm	93.5 mm	67.0 mm	57.5 mm
HF-P 160 TL5C 220-240V 50/60Hz	4.5 mm	30.0 mm	103.0 mm	93.5 mm	67.0 mm	57.5 mm

Prevádzkové a elektrické

Vstupná frekvencia	50 až 60 Hz
Vstupné napätie	220 to 240 V

Všeobecné informácie

Počet produktov pri modeli MCB (16A, typ B) (nom.)	28
Počet svetelných zdrojov	1 piece/unit
Typ svetelného zdroja	TL5C

Mechanické časti a teleso

Teleso	S 103x67x30
--------	-------------

Schválenie a použitie

Order Code	Full Product Name	Index energetickej účinnosti
92776730	HF-P 155 TL5C 220-240V 50/60HZ	A3

Order Code	Full Product Name	Index energetickej účinnosti
92778130	HF-P 160 TL5C 220-240V 50/60HZ	A2

Systémová charakteristika

Order Code	Full Product Name	Menovitý výkon predradníka a svetelného zdroja
92776730	HF-P 155 TL5C 220-240V 50/60HZ	55 W

Order Code	Full Product Name	Menovitý výkon predradníka a svetelného zdroja
92778130	HF-P 160 TL5C 220-240V 50/60HZ	60 W

