



Product Description

HF-Regulator II for TL5 lamps

Flat, lightweight high-frequency electronic regulating ballast, using 1-10V protocol for TL5 fluorescent lamps

Benefits

- The lamp power can be dimmed from 1 to 100% via the Analog control input (in accordance with the 1-10 V industry standard)
- Compliant with European and Asian norms and suitable for emergency lighting systems
- HF operation improves light quality, lamp lifetime
- Combined with controls, additional energy savings can be achieved

Features

- Programmed start: flicker-free ignition < 0.5 seconds and striation-free operation, no stroboscopic effects. Preheating the lamp electrodes enables the lamps to be switched on and off without reducing life
- Smart power ensures constant light, independent of mains fluctuations
- Up to 60% reduction in energy consumption by using automatic lighting control systems
- Stop circuit is activated within 5 seconds in the event of lamp failure (safety stop), and ballast resets automatically after lamp replacement

Application

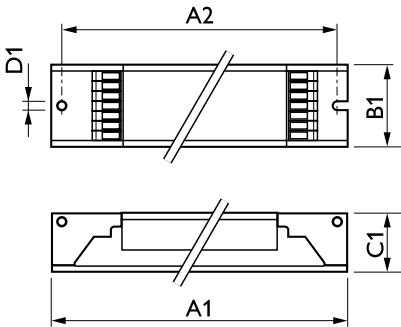
- 1-10V installations with daylight linking and/or movement detection (for energy savings)
- 1-10V installations with remote control systems (combining energy savings with comfort)
- Installations with emergency back-up, according to IEC 60598-2-22

HF-Regulator II for TL5 lamps

Versions



Dimensional drawing



Product	D1	C1	A1	A2	B1
HF-R 149 TL5 EII 220-240V 50/60Hz	4.2 mm	22 mm	360 mm	350 mm	30 mm
HF-R 1 14-35 TL5 EII 220-240V 50/60Hz	4.2 mm	22 mm	360 mm	350 mm	30 mm
HF-R 249 TL5 EII 220-240V 50/60Hz	4.2 mm	22 mm	360 mm	350 mm	30 mm
HF-R 2 14-35 TL5 EII 220-240V 50/60Hz	4.2 mm	22 mm	360 mm	350 mm	30 mm

Approval and Application

Energy Efficiency Index A1 BAT

Operating and Electrical

Input Frequency 50 to 60 Hz

Input Voltage 220 to 240 V

General Information

Lamp Type TL5

Mechanical and Housing

Housing L 360x30x21

General Information

Order Code	Full Product Name	Number Of Products On MCB (16A Type B) (Nom)	Number Of Lamps
913700608666	HF-R 149 TL5 EII 220-240V 50/60Hz	28	1 piece/unit
913700608766	HF-R 249 TL5 EII 220-240V 50/60Hz	12	2 piece/unit
913700619566	HF-R 2 14-35 TL5 EII 220-240V 50/60Hz	12	2 piece/unit

Order Code	Full Product Name	Number Of Products On MCB (16A Type B) (Nom)	Number Of Lamps
913700619866	HF-R 1 14-35 TL5 EII 220-240V 50/60Hz	28	1 piece/unit

System characteristics

HF-Regulator II for TL5 lamps

Order Code	Full Product Name	Rated Ballast-Lamp Power
913700608666	HF-R 149 TL5 EII 220-240V 50/60Hz	49 W
913700608766	HF-R 249 TL5 EII 220-240V 50/60Hz	49 W

Order Code	Full Product Name	Rated Ballast-Lamp Power
913700619566	HF-R 2 14-35 TL5 EII 220-240V 50/60Hz	14-35 W
913700619866	HF-R 1 14-35 TL5 EII 220-240V 50/60Hz	14-35 W

