

Dimming – a next step in energy saving.

HF-Regulator Intelligent Touch DALI for PL-T/C and TL5C

Intelligent high-frequency electronic dimming ballast, using DALI (Digital Addressable Lighting Interface according to IEC62386) or Touch and Dim push-button protocol for fluorescent lamps. Features Corridor Mode, programmable with Philips MultiOne. High-frequency operation improves light quality and lamp lifetime. Pre-empts upcoming legislation as it meets A1BAT requirements.

Benefits

- Programmed start: flicker-free ignition in 0.5 seconds and striation-free operation, no stroboscopic effects. Preheating the lamp electrodes enables the lamps to be switched on and off without reducing life
- Smart power ensures constant light, independent of mains fluctuations, and dimming from 3 to 100%
- Protected against excessive mains voltages, incorrect connections and incorrect lamp use

Features

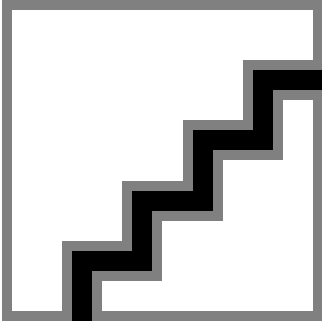
- Extremely low stand-by losses, controlled cut-off for dimming levels above 80%
- Combined with controls, additional energy savings can be achieved
- Stop circuit is activated within 5 seconds of lamp failure (safety stop), and ballast resets automatically after lamp replacement
- HF operation improves light quality and lamp lifetime
- Programmable Corridor Mode
- Compliant with European and Asian norms and suitable for emergency lighting systems

Application

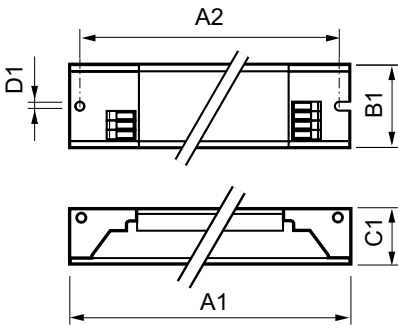
- Indoor general and task lighting applications in combination with lighting control systems (personal control, daylight linking and/or movement detection)

HF-Regulator Intelligent Touch DALI for PL-T/C and TL5C

Versions

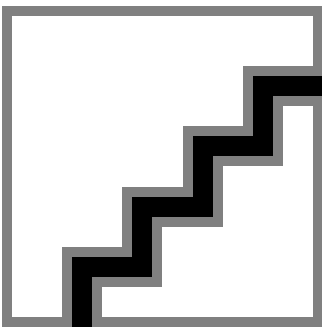


Dimensional drawing



Product	A1	B1	C1	A2	B2	D1
HF-Ri TD 160 TL5C E+	123.0	79.0	33.0	111.0	67.0	4.5 mm
195-240V 50/60Hz	mm	mm	mm	mm	mm	

Product	D1	C1	A1	A2	B1	B2
HF-Ri TD 1 26-42 PL-	4.5 mm	33.0	123.0	111.0	79.0	67.0
T/C E+		mm	mm	mm	mm	mm



Approval and Application

Energy Efficiency Index A1 BAT

Operating and Electrical

Input Frequency 50 to 60 Hz

Input Voltage 195-240 V

General Information

Number Of Lamps 1 piece/unit

Mechanical and Housing

Housing L 123x79x33

HF-Regulator Intelligent Touch DALI for PL-T/C and TL5C

General Information

Order Code	Full Product Name	Number Of Products On MCB (16A Type B) (Nom)	Lamp Type
24167600	HF-Ri TD 1 26-42 PL-T/C E+	28	PL-T/C

Order Code	Full Product Name	Number Of Products On MCB (16A Type B) (Nom)	Lamp Type
71862800	HF-Ri TD 160 TL5C E+ 195-240V 50/60Hz	12	TL5C

System characteristics

Order Code	Full Product Name	Lamp	Lamp	Lamp	Rated
		Power On	Power On	Power On	Ballast- Lamp Power
		PL-T	PL-T/C	TL5C	
24167600	HF-Ri TD 1 26-42 PL-T/C E+	31/41 W	25 W	23/38.5 W	26-42 W

Order Code	Full Product Name	Lamp	Lamp	Lamp	Rated
		Power On	Power On	Power On	Ballast- Lamp Power
		PL-T	PL-T/C	TL5C	
71862800	HF-Ri TD 160 TL5C E+ 195-240V 50/60Hz	-	-	60 W	60 W

