



Dimming the next step in energy saving

HF-Regulator Intelligent Touch DALI for TL5/TL-D/PL-L lamps

This intelligent high-frequency electronic dimming ballast utilizes the DALI or Touch and Dim push-button protocol for fluorescent lamps. It meets A1BAT requirements, thereby pre-empting upcoming legislation. With a special command you can retrieve the system's mains power consumption, and with another you can find out which lamp wattage is connected. Combined with controls, additional energy savings can be achieved. The ballast is primarily designed for indoor use. For outdoor use, the luminaire should be minimum Class II and be sufficiently protected against water and dust. The installation should also be protected against lightning surges or any other electrical protection deemed necessary in this type of installation and application.

Benefits

- Extremely low stand-by losses, controlled cut-off for dim levels above 80%, hybrid control dimming (current control at 100% and power control at 1%) – combined with MASTER TL5 Eco the most energy-efficient solution
- HF operation improves light quality and lamp lifetime.
- Compliant with European and Asian norms and suitable for emergency lighting systems

HF-Regulator Intelligent Touch DALI for TL5/TL-D/PL-L lamps

Features

- HF-R Intelligent recognises what type of lamp (T5 HE, HO, ECO, TL-D, PL-L) is connected and drives it accordingly
- Programmed start: flicker-free ignition < 1.0 second and striation-free operation, no stroboscopic effects. Preheating the lamp electrodes enables the lamps to be switched on and off without reducing life
- Smart power ensures constant light, independent of mains fluctuations and dimming from 1 to 100%
- Stop circuit is activated within 5 seconds in the event of lamp failure (safety stop), and ballast resets automatically after lamp replacement
- Programmable for intelligent functionalities via Philips MultiOne: Corridor mode, Emergency DC dim level, Burn-in time

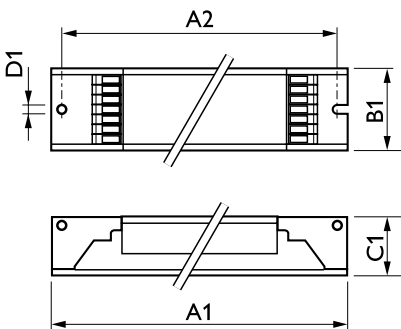
Application

- Indoor, general and task lighting applications in combination with lighting control systems (personal control, daylight linking and/or movement detection)

Versions



Dimensional drawing



Product	D1	C1	A1	A2	B1
HF-Ri TD 1 28/35/49/54 TL5 E+ 195-240V	4.1 mm	22.0 mm	360.0 mm	350.0 mm	30.0 mm
HF-Ri TD 2 28/35/49/54 TL5 E+ 195-240V	4.1 mm	22.0 mm	360.0 mm	350.0 mm	30.0 mm

HF-Regulator Intelligent Touch DALI for TL5/TL-D/PL-L lamps

Approval and Application	
Energy Efficiency Index	A1 BAT
Operating and Electrical	
Input Frequency	50 to 60 Hz
Input Voltage	195-240 V
General Information	
Lamp Type	TL5
Mechanical and Housing	
Housing	L 359x30x21
System characteristics	
Rated Ballast-Lamp Power	28-35-49-54 W

General Information

Order Code	Full Product Name	Number Of Products		Order Code	Full Product Name	Number Of Products	
		On MCB (16A Type B) (Nom)	Number Of Lamps			On MCB (16A Type B) (Nom)	Number Of Lamps
913700695666	HF-Ri TD 1 28/35/49/54 TL5 E+ 195-240V	39	1 piece/unit	913700695866	HF-Ri TD 2 28/35/49/54 TL5 E+ 195-240V	18	2 piece/unit

System characteristics

Order Code	Full Product Name	Lamp Power On PL-L	Lamp Power On TL5	Lamp Power On TL5 ECO	Lamp Power On TL-D	Lamp Power On TL-D ECO
913700695666	HF-Ri TD 1 28/35/49/54 TL5 E+ 195-240V	51.2 W	29.4/36.4/51.6/54.8 W	26.3/30.2/45.7/50.4 W	52.2 W	42.7 W
913700695866	HF-Ri TD 2 28/35/49/54 TL5 E+ 195-240V	101.6 W	58.9/73.6/107.2/113.4 W	50.8/66.5/95.6/102.7 W	101.1 W	89.8 W

