

# HF-Regulator II for PL-T/C – Dimming: a next step in energy saving

## HF-Regulator II for PL-T/C

Compact, high-frequency electronic dimming ballast, using the analog protocol (1-10 V) for PL-T, PL-C and PL-R lamps

### Benefits

- The lamp power can be dimmed from 1 to 100% via the Analog control input (in accordance with the 1-10 V industry standard)
- Compliant with European and Asian norms and suitable for emergency lighting systems
- HF operation improves light quality, lamp lifetime
- Combined with controls, additional energy savings can be achieved

### Features

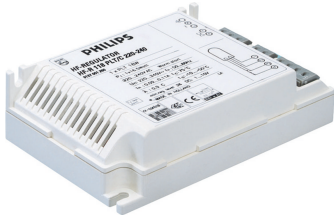
- Programmed start: flicker-free ignition < 0.5 seconds and striation-free operation, no stroboscopic effects. Preheating the lamp electrodes enables the lamps to be switched on and off without reducing life
- Smart power ensures constant light, independent of mains fluctuations
- Up to 60% reduction in energy consumption by using automatic lighting control systems
- Stop circuit is activated within 5 seconds in the event of lamp failure (safety stop), and ballast resets automatically after lamp replacement

### Application

- Indoor, general and task lighting applications in combination with lighting control systems (personal control, daylight linking and/or movement detection)

# HF-Regulator II for PL-T/C

## Versions

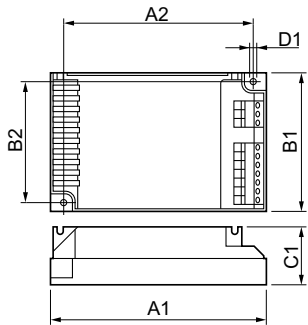
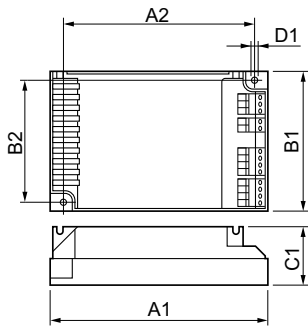


HF-R 2 26-42 PL-T/C EII  
220-240V 50/60Hz



HF-R 218 PL-T/C EII 220-240V  
50/60Hz

## Dimensional drawing



Product	D1	C1	A1	A2	B1	B2
HF-R 218 PL-T/C EII 220-240V 50/60Hz	4.5 mm	33.0 mm	123.0 mm	111.0 mm	79.0 mm	67.0 mm
HF-R 2 26-42 PL-T/C EII 220-240V 50/60Hz	4.5 mm	33.0 mm	123.0 mm	111.0 mm	79.0 mm	67.0 mm

Product	D1	C1	A1	A2	B1	B2
HF-R 1 26-42 PL-T/C EII 220-240V 50/60Hz	4.5 mm	33.0 mm	123.0 mm	111.0 mm	79.0 mm	67.0 mm

### Approval and Application

Energy Efficiency Index A1 BAT

### Operating and Electrical

Input Frequency 50 to 60 Hz

Input Voltage 220 to 240 V

### General Information

Lamp Type PL-T/C

### Mechanical and Housing

Housing S 123x79x33

## General Information

## HF-Regulator II for PL-T/C

Order Code	Full Product Name	Number Of	
		Products On MCB (16A Type B) (Nom)	Number Of Lamps
913700626566	HF-R 2 26-42 PL-T/C EII 220-240V 50/60Hz	12	2 piece/unit
913700626666	HF-R 1 26-42 PL-T/C EII 220-240V 50/60Hz	28	1 piece/unit

Order Code	Full Product Name	Number Of	
		Products On MCB (16A Type B) (Nom)	Number Of Lamps
913700680166	HF-R 218 PL-T/C EII 220-240V 50/60Hz	28	2 piece/unit

### System characteristics

Order Code	Full Product Name	Rated Ballast-Lamp
		Power
913700626566	HF-R 2 26-42 PL-T/C EII 220-240V 50/60Hz	26-42 W
913700626666	HF-R 1 26-42 PL-T/C EII 220-240V 50/60Hz	26-42 W

Order Code	Full Product Name	Rated Ballast-Lamp
		Power
913700680166	HF-R 218 PL-T/C EII 220-240V 50/60Hz	18 W

