

Product Description:

HF-Regulator II for PL-T/C

Compact, lightweight High-Frequency electronic regulating ballast for PL-T and PL-C compact fluorescent lamps

Benefits

- The lamp power can be dimmed from 1 to 100% via the Analog control input (in accordance with the 1-10 V industry standard)
- Compliant with European and Asian norms and suitable for emergency lighting systems
- HF operation improves light quality, lamp lifetime
- Combined with controls, additional energy savings can be achieved

Features

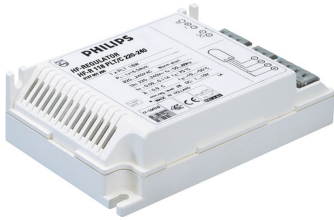
- Programmed start: flicker-free ignition < 0.5 seconds and striation-free operation, no stroboscopic effects. Preheating the lamp electrodes enables the lamps to be switched on and off without reducing life
- Smart power ensures constant light, independent of mains fluctuations
- Up to 60% reduction in energy consumption by using automatic lighting control systems
- Stop circuit is activated within 5 seconds in the event of lamp failure (safety stop), and ballast resets automatically after lamp replacement

HF-Regulator II for PL-T/C

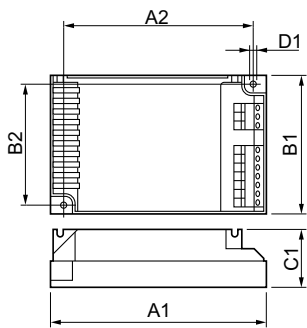
Application

- 1 - 10V installations with daylight linking and/or movement detection (energy saving)
- 1 - 10V installations with remote control systems (comfort)
- Installations with emergency back-up according to VDE 0108-100 / EN 60598-2-22
- Installations with daylight-linked and remote control systems
- Installations with infrared remote control systems
- Conference rooms
- Cinemas
- Department stores, shops, supermarkets
- Office buildings: insurance companies, banks, government ministries
- Hospitals
- Hotels

Versions



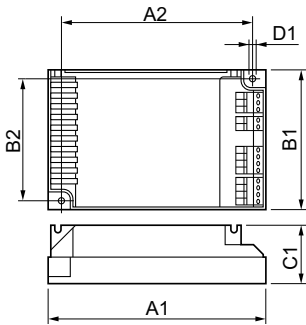
Dimensional drawing



| Product | D1 | C1 | A1 | A2 | B1 | B2 |
|------------------------|--------|------|-------|-------|------|------|
| HF-R 126-42 PL-T/C EII | 4.5 mm | 33.0 | 123.0 | 111.0 | 79.0 | 67.0 |
| 220-240V 50/60Hz | | mm | mm | mm | mm | mm |

HF-Regulator II for PL-T/C

Dimensional drawing



| Product | D1 | C1 | A1 | A2 | B1 | B2 |
|----------------------|--------|------|-------|-------|------|------|
| HF-R 2 26-42 PL-T/C | 4.5 mm | 33.0 | 123.0 | 111.0 | 79.0 | 67.0 |
| EII 220-240V 50/60Hz | | mm | mm | mm | mm | mm |

Approval and Application

| | |
|-------------------------|--------|
| Energy Efficiency Index | A1 BAT |
|-------------------------|--------|

Operating and Electrical

| | |
|-----------------|--------------|
| Input Frequency | 50 to 60 Hz |
| Input Voltage | 220 to 240 V |

General Information

| | |
|-----------|--------|
| Lamp Type | PL-T/C |
|-----------|--------|

Mechanical and Housing

| | |
|---------|-------------|
| Housing | S 123x79x33 |
|---------|-------------|

System characteristics

| | |
|--------------------------|---------|
| Rated Ballast-Lamp Power | 26-42 W |
|--------------------------|---------|

General Information

| Order Code | Full Product Name | Number Of Products On MCB (16A Type B) (Nom) | Number Of Lamps |
|--------------|--|--|-----------------|
| 913700626566 | HF-R 2 26-42 PL-T/C EII 220-240V 50/60Hz | 12 | 2 piece/unit |

| Order Code | Full Product Name | Number Of Products On MCB (16A Type B) (Nom) | Number Of Lamps |
|--------------|--|--|-----------------|
| 913700626666 | HF-R 1 26-42 PL-T/C EII 220-240V 50/60Hz | 28 | 1 piece/unit |

