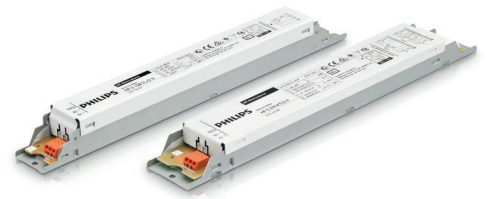


PHILIPS

Lighting



Most reliable standard, energy-efficient solution

HF-Selectalume II for TL5 lamps

HF-Selectalume II TL5 is the most cost-effective, reliable and outstanding solution for fluorescent lamps. These ballasts are part of an overall high-efficiency lighting system that may help you or your customers to achieve any international or local energy code you need to comply with. HF-Selectalume II TL5 ballasts are the ideal choice for a broad range of new construction and retrofit applications within the commercial sector, including general surface mounting or office lighting, parking garages, warehouses, waterproof and other applications.

Benefits

- Exceptional energy efficiency with striation-reduction technology in lighting systems at lower temperatures
- Maximum reliability in system operation
- Multi-power technology for precise operation of multiple lamp types of various wattages

Features

- Highest CELMA Energy Efficiency Index A2 BAT*
- Complies with CE, ENEC, EL, CCC marks of conformity
- Average nominal service lifetime over 85,000 hours (at Ta 50°C) with a failure rate $\leq 0.1\%$ per 1,000 hours)
- Optimized lamp preheating for min. 50,000 On/Off switch operations without replacement of lamps

HF-Selectalume II for TL5 lamps

Application

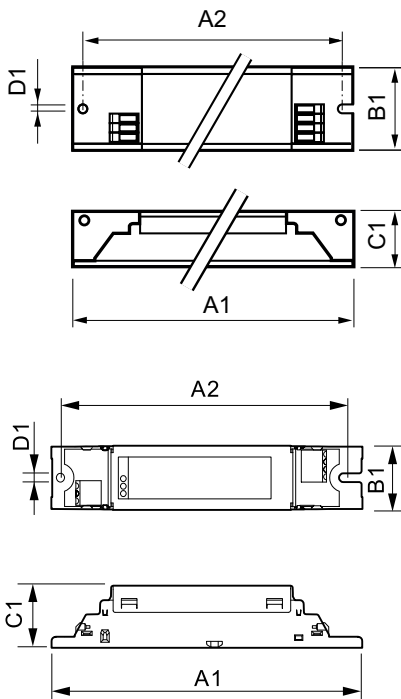
- Suitable for DC operation and emergency lighting installations; full compliance with requirements for emergency lighting according to EN 61347-2-3 -annex J
- Extended lamp life in frequent-switching applications, e.g. where occupancy sensors or motion detectors are used
- For luminaires of protection class I and protection class II used in office buildings, hospitals, supermarkets, department stores, industrial premises and schools

Versions



HF-S 3/4 14 TL5 II 120V 50/60Hz

Dimensional drawing



Product	A1	B1	C1	A2	B2	D1
HF-S 3/414 TL5 II 220-240V 50/60Hz	280 mm	39 mm	21.5 mm	265 mm		4.2 mm

Product	D1	C1	A1	A2	B1
HF-S 254 TL5 II 220-240V 50/60Hz	4.1 mm	21.5 mm	360.0 mm	350.0 mm	30.0 mm

HF-Selectalume II for TL5 lamps

Operating and Electrical

Input Frequency	50 to 60 Hz
Input Voltage	220 to 240 V

Emergency Operation

Emergency Ballast Lumen Factor (EBLF) (Nom)	100 %
---	-------

General Information

Lamp Type	TL5
-----------	-----

Approval and Application

Order Code	Full Product Name	Energy Efficiency Index
913713033066	HF-S 3/414 TL5 II 220-240V 50/60Hz	A2/A2BAT

Order Code	Full Product Name	Energy Efficiency Index
913713033766	HF-S 254 TL5 II 220-240V 50/60Hz	A2 BAT

General Information

Order Code	Full Product Name	Number Of Products	
		On MCB (16A Type B) (Nom)	Number Of Lamps
913713033066	HF-S 3/414 TL5 II 220-240V 50/60Hz	28	3/4 piece/unit

Order Code	Full Product Name	Number Of Products	
		On MCB (16A Type B) (Nom)	Number Of Lamps
913713033766	HF-S 254 TL5 II 220-240V 50/60Hz	-	2 piece/unit

Mechanical and Housing

Order Code	Full Product Name	Housing
913713033066	HF-S 3/414 TL5 II 220-240V 50/60Hz	L 280x39x21.5

Order Code	Full Product Name	Housing
913713033766	HF-S 254 TL5 II 220-240V 50/60Hz	L 280x30x21

System characteristics

Order Code	Full Product Name	Lamp Power On TL5	Rated Ballast-Lamp Power
913713033066	HF-S 3/414 TL5 II 220-240V 50/60Hz	44.2/55.0 W	14 W

Order Code	Full Product Name	Lamp Power On TL5	Rated Ballast-Lamp Power
913713033766	HF-S 254 TL5 II 220-240V 50/60Hz	97.2 W	54 W

