

Affordable, robust solution

HF-Selectalume II for TL5 lamps

HF-Selectalume II is the most cost-effective, reliable, slim and affordable fluorescent solution, with highly disruptive technology for energy saving, system flexibility and unsurpassed performance. The cost-saving HF-Selectalume II has a robust design which meets all relevant international safety and performance standards. HF-Selectalume II is intended for use with indoor lighting fixtures such as spotlights, downlights and recessed luminaires, which are largely used in office, retail, industry, hotel, restaurant and other applications where control devices are installed with occasional On/Off switching activity

Benefits

- Automatic restart (after voltage dip or lamp exchange) ensures easy operation and hassle-free re-lamping.
- DC emergency operation in line with IEC/EN 60598-2-22 luminaire norms
- Suitable for luminaires in protection class I and, after testing, class II

Features

- Complies with CE and Kema-Keur
- Average lifetime in excess of 50,000 hours at $T_a = 50\text{ }^{\circ}\text{C}$
- Rapid warm lamp start with filament pre-heating $< 1.2\text{ sec}$
- Active power factor correction to ensure constant light, irrespective of mains-voltage fluctuations
- The Wago 744 connector offers the flexibility for horizontal-manual or push-in robot wiring, including a simple wire-release facility.

HF-Selectalume II for TL5 lamps

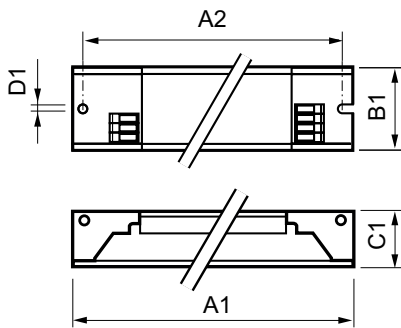
Application

- Ideal for applications where there is a need to reduce the wattage per square meter or to reduce operating costs
- Applications in which control devices are installed with occasional On/Off switching (e.g. where movement or light sensor detectors switch the mains)
- Professional indoor applications with long operating hours, such as office buildings, call centers, classrooms, hotels, department stores, retail stores, supermarkets, convenience stores and industrial premises (e.g. corridors and low-bay trunking systems) and city parking lots

Versions



Dimensional drawing



Product	A1	B1	C1	A2	B2	D1
HF-S 3/414 TL5 II 220-240V 50/60Hz	280 mm	39 mm	21.5 mm	265 mm		4.2 mm
HF-S 235 TL5 II 220-240V 50/60Hz	280 mm	30 mm	21.5 mm	265 mm		4.2 mm

Operating and Electrical

Input Frequency	50 to 60 Hz
Input Voltage	220 to 240 V

General Information

Lamp Type	TL5
-----------	-----

Approval and Application

Order Code	Full Product Name	Energy Efficiency Index	Order Code	Full Product Name	Energy Efficiency Index
913713033066	HF-S 3/414 TL5 II 220-240V 50/60Hz	A2/A2BAT	913713033366	HF-S 235 TL5 II 220-240V 50/60Hz	A2

Emergency Operation

HF-Selectalume II for TL5 lamps

Order Code	Full Product Name	Emergency Ballast Lumen Factor (EBLF) (Nom)
913713033066	HF-S 3/414 TL5 II 220-240V 50/60Hz	100 %

Order Code	Full Product Name	Emergency Ballast Lumen Factor (EBLF) (Nom)
913713033366	HF-S 235 TL5 II 220-240V 50/60Hz	0.7 %

General Information

Order Code	Full Product Name	Number Of Products On MCB (16A Type B) (Nom)	Number Of Lamps
913713033066	HF-S 3/414 TL5 II 220-240V 50/60Hz	28	3/4 piece/unit

Order Code	Full Product Name	Number Of Products On MCB (16A Type B) (Nom)	Number Of Lamps
913713033366	HF-S 235 TL5 II 220-240V 50/60Hz	-	2 piece/unit

Mechanical and Housing

Order Code	Full Product Name	Housing
913713033066	HF-S 3/414 TL5 II 220-240V 50/60Hz	L 280x39x21.5

Order Code	Full Product Name	Housing
913713033366	HF-S 235 TL5 II 220-240V 50/60Hz	L 280x30x21.5

System characteristics

Order Code	Full Product Name	Lamp Power On TL5	Rated Ballast-Lamp Power
913713033066	HF-S 3/414 TL5 II 220-240V 50/60Hz	44.2/55.0 W	14 W

Order Code	Full Product Name	Lamp Power On TL5	Rated Ballast-Lamp Power
913713033366	HF-S 235 TL5 II 220-240V 50/60Hz	68.5 W	35 W

