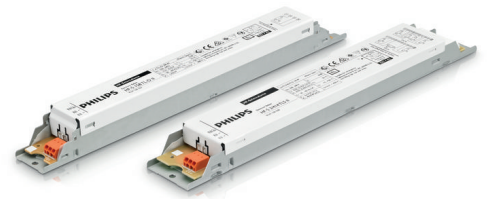


PHILIPS

Lighting



Most reliable standard, energy-efficient solution

HF-Selectalume II for TL5 lamps

HF-Selectalume II TL5 is the most cost-effective, reliable and outstanding solution for fluorescent lamps. These ballasts are part of an overall high-efficiency lighting system that may help you or your customers to achieve any international or local energy code you need to comply with. HF-Selectalume II TL5 ballasts are the ideal choice for a broad range of new construction and retrofit applications within the commercial sector, including general surface mounting or office lighting, parking garages, warehouses, waterproof and other applications. The ballast is primarily designed for Indoor application. For outdoor application, the luminaire should be minimum Classland need to be sufficiently protected against water & dust. The installation should also be guard against any lightening surge or any other necessary electrical protection as deemed in such typical installation & application.

Benefits

- Exceptional energy efficiency with striation-reduction technology in lighting systems at lower temperatures
- Maximum reliability in system operation
- Multi-power technology for precise operation of multiple lamp types of various wattages

Features

- Highest CELMA Energy Efficiency Index A2 BAT*
- Complies with CE, ENEC, EL, CCC marks of conformity
- Average nominal service lifetime over 85,000 hours (at Ta 50°C) with a failure rate $\leq 0.1\%$ per 1,000 hours)
- Optimized lamp preheating for min. 50,000 On/Off switch operations without replacement of lamps

HF-Selectalume II for TL5 lamps

Application

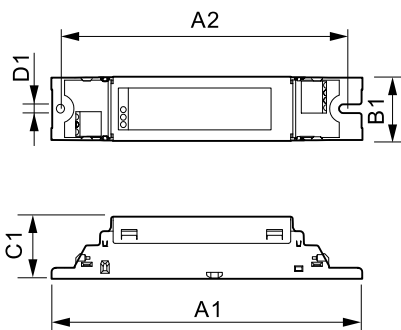
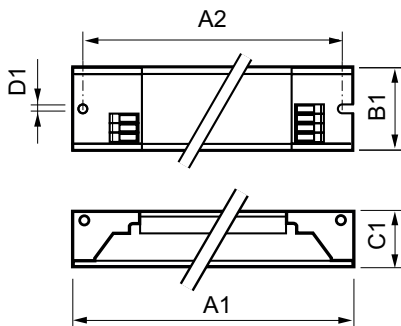
- Suitable for DC operation and emergency lighting installations; full compliance with requirements for emergency lighting according to EN 61347-2-3 -annex J
- Extended lamp life in frequent-switching applications, e.g. where occupancy sensors or motion detectors are used
- For luminaires of protection class I and protection class II used in office buildings, hospitals, supermarkets, department stores, industrial premises and schools

Versions



HF-S 3/4 14 TL5 II 120V 50/60Hz

Dimensional drawing

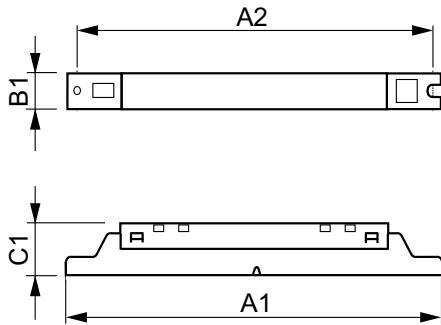


Product	A1	B1	C1	A2	B2	D1
HF-S 124-39 TL5 II 220-240V 50/60Hz	280 mm	30 mm	21.5 mm	265 mm		4.2 mm
HF-S 235 TL5 II 220-240V 50/60Hz	280 mm	30 mm	21.5 mm	265 mm		4.2 mm
HF-S 3/414 TL5 II 220-240V 50/60Hz	280 mm	39 mm	21.5 mm	265 mm		4.2 mm
HF-S 3/424 TL5 II 220-240V 50/60Hz	280 mm	39 mm	21.5 mm	265 mm		4.2 mm
HF-S 149 TL5 II 220-240V 50/60Hz	280 mm	30 mm	21 mm	265 mm		4.2 mm

Product	D1	C1	A1	A2	B1
HF-S 154 TL5 II 220-240V 50/60Hz	4.1 mm	28.0 mm	280 mm	265 mm	30.0 mm
HF-S 2 24-39 TL5 II 220-240V 50/60Hz	4.1 mm	21.5 mm	280.0 mm	265.0 mm	30.0 mm
HF-S 249 TL5 II 220-240V 50/60Hz	4.1 mm	21.5 mm	280.0 mm	265.0 mm	30.0 mm
HF-S 254 TL5 II 220-240V 50/60Hz	4.1 mm	21.5 mm	360.0 mm	350.0 mm	30.0 mm

HF-Selectalume II for TL5 lamps

Dimensional drawing



Operating and Electrical	
Input Frequency	50 to 60 Hz
Input Voltage	220 to 240 V
General Information	
Lamp Type	TL5

Product	D1	C1	A1	A2	B1
HF-S 1 14-35 TL5 HE II 220-240V	4.2 mm	22.0 mm	360.0 mm	350.0 mm	30.0 mm
HF-S 2 14-35 TL5 HE II 220-240V	4.2 mm	22.0 mm	360.0 mm	350.0 mm	30.0 mm

Approval and Application

Order Code	Full Product Name	Energy Efficiency Index
913713033066	HF-S 3/414 TL5 II 220-240V 50/60Hz	A2/A2 BAT
913713033366	HF-S 235 TL5 II 220-240V 50/60Hz	A2
913713033466	HF-S 149 TL5 II 220-240V 50/60Hz	A2 BAT
913713033566	HF-S 249 TL5 II 220-240V 50/60Hz	A2 BAT
913713033666	HF-S 154 TL5 II 220-240V 50/60Hz	A2 BAT
913713033766	HF-S 254 TL5 II 220-240V 50/60Hz	A2 BAT

Order Code	Full Product Name	Energy Efficiency Index
913713034466	HF-S 124-39 TL5 II 220-240V 50/60Hz	A2/A2 BAT
913713034566	HF-S 2 24-39 TL5 II 220-240V 50/60Hz	A2 BAT
913713034666	HF-S 3/424 TL5 II 220-240V 50/60Hz	A2 BAT
913713042066	HF-S 1 14-35 TL5 HE II 220-240V	A2 BAT
913713042166	HF-S 2 14-35 TL5 HE II 220-240V	A2 BAT

Emergency Operation

Order Code	Full Product Name	Emergency Ballast Lumen Factor (EBLF) (Nom)
913713033066	HF-S 3/414 TL5 II 220-240V 50/60Hz	100 %
913713033366	HF-S 235 TL5 II 220-240V 50/60Hz	0.7 %
913713033466	HF-S 149 TL5 II 220-240V 50/60Hz	100 %
913713033566	HF-S 249 TL5 II 220-240V 50/60Hz	100 %
913713033666	HF-S 154 TL5 II 220-240V 50/60Hz	100 %
913713033766	HF-S 254 TL5 II 220-240V 50/60Hz	100 %

Order Code	Full Product Name	Emergency Ballast Lumen Factor (EBLF) (Nom)
913713034466	HF-S 124-39 TL5 II 220-240V 50/60Hz	100 %
913713034566	HF-S 2 24-39 TL5 II 220-240V 50/60Hz	100 %
913713034666	HF-S 3/424 TL5 II 220-240V 50/60Hz	100 %
913713042066	HF-S 1 14-35 TL5 HE II 220-240V	100 %
913713042166	HF-S 2 14-35 TL5 HE II 220-240V	100 %

General Information

Order Code	Full Product Name	Number Of Products On MCB (16A)	
		Type B) (Nom)	Number Of Lamps
913713033066	HF-S 3/414 TL5 II 220-240V 50/60Hz	28	3/4 piece/unit
913713033366	HF-S 235 TL5 II 220-240V 50/60Hz	-	2 piece/unit
913713033466	HF-S 149 TL5 II 220-240V 50/60Hz	-	1 piece/unit

Order Code	Full Product Name	Number Of Products On MCB (16A)	
		Type B) (Nom)	Number Of Lamps
913713033566	HF-S 249 TL5 II 220-240V 50/60Hz	12	2 piece/unit
913713033666	HF-S 154 TL5 II 220-240V 50/60Hz	-	1 piece/unit
913713033766	HF-S 254 TL5 II 220-240V 50/60Hz	-	2 piece/unit

HF-Selectalume II for TL5 lamps

Order Code	Full Product Name	Number Of Products On MCB (16A)	
		Type B) (Nom)	Number Of Lamps
913713034466	HF-S 124-39 TL5 II 220-240V 50/60Hz	-	1 piece/unit
913713034566	HF-S 2 24-39 TL5 II 220-240V 50/60Hz	-	2 piece/unit

Order Code	Full Product Name	Number Of Products On MCB (16A)	
		Type B) (Nom)	Number Of Lamps
913713034666	HF-S 3/424 TL5 II 220-240V 50/60Hz	15	3/4 piece/unit
913713042066	HF-S 1 14-35 TL5 HE II 220-240V	28	1 piece/unit
913713042166	HF-S 2 14-35 TL5 HE II 220-240V	28	2 piece/unit

Mechanical and Housing

Order Code	Full Product Name	Housing
913713033066	HF-S 3/414 TL5 II 220-240V 50/60Hz	L 280x39x21.5
913713033366	HF-S 235 TL5 II 220-240V 50/60Hz	L 280x30x21.5
913713033466	HF-S 149 TL5 II 220-240V 50/60Hz	L 280x30x21
913713033566	HF-S 249 TL5 II 220-240V 50/60Hz	L 280x30x21
913713033666	HF-S 154 TL5 II 220-240V 50/60Hz	L 280x30x21
913713033766	HF-S 254 TL5 II 220-240V 50/60Hz	L 280x30x21

Order Code	Full Product Name	Housing
913713034466	HF-S 124-39 TL5 II 220-240V 50/60Hz	L 280x30x21.5
913713034566	HF-S 2 24-39 TL5 II 220-240V 50/60Hz	L 280x30x21.5
913713034666	HF-S 3/424 TL5 II 220-240V 50/60Hz	L 280x39x21.5
913713042066	HF-S 1 14-35 TL5 HE II 220-240V	L360x30x22
913713042166	HF-S 2 14-35 TL5 HE II 220-240V	L360x30x22

System characteristics

Order Code	Full Product Name	Lamp Power On TL5	Lamp Power On	
			TL5 HE	Rated Ballast-Lamp Power
913713033066	HF-S 3/414 TL5 II 220-240V 50/60Hz	44.2/55.0 W	-	14 W
913713033366	HF-S 235 TL5 II 220-240V 50/60Hz	68.5 W	-	35 W
913713033466	HF-S 149 TL5 II 220-240V 50/60Hz	51 W	-	49 W
913713033566	HF-S 249 TL5 II 220-240V 50/60Hz	100.2 W	-	49 W
913713033666	HF-S 154 TL5 II 220-240V 50/60Hz	54 W	-	54 W
913713033766	HF-S 254 TL5 II 220-240V 50/60Hz	97.2 W	-	54 W

Order Code	Full Product Name	Lamp Power On TL5	Lamp Power On	
			TL5 HE	Rated Ballast-Lamp Power
913713034466	HF-S 124-39 TL5 II 220-240V 50/60Hz	23.5/38 W	-	24/39 W
913713034566	HF-S 2 24-39 TL5 II 220-240V 50/60Hz	50/76 W	-	24/39 W
913713034666	HF-S 3/424 TL5 II 220-240V 50/60Hz	68.5/85.0 W	-	24 W
913713042066	HF-S 1 14-35 TL5 HE II 220-240V	-	14.7/37.0 W	14-35 W
913713042166	HF-S 2 14-35 TL5 HE II 220-240V	-	28.5/71.0 W	14-35 W

