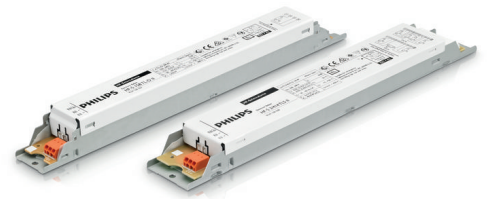


PHILIPS

Lighting



Most reliable standard, energy- efficient solution

HF-Selectalume II for TL-D lamps

HF-Selectalume II TL-D is the most cost-effective, reliable and outstanding solution for fluorescent lamps. These ballasts are part of an overall high-efficiency lighting system that may help you or your customers to achieve any international or local energy code you need to comply with. HF-Selectalume II TL-D ballasts are the ideal choice for a broad range of new construction and retrofit applications within the commercial sector, including general surface mounting or office lighting, parking garages, warehouses, waterproof and other applications.

Benefits

- Exceptional energy efficiency with striation-reduction technology in lighting systems at lower temperatures
- Maximum reliability in system operation
- Provides extended lamp life in frequent-switching applications

Features

- Highest CELMA Energy Efficiency Index A2 BAT*
- Complies with CE, ENEC, EL, VDE-EMC, CCC marks of conformity
- Average nominal service lifetime over 85,000 hours (at Ta 50°C) with a failure rate $\leq 0.1\%$ per 1,000 hours)
- Optimized lamp preheating for min 50,000 On/Off switch operations without replacement of lamps

HF-Selectalume II for TL-D lamps

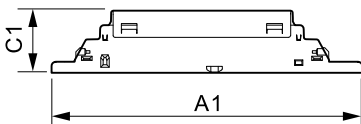
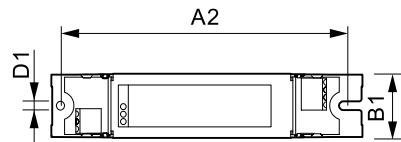
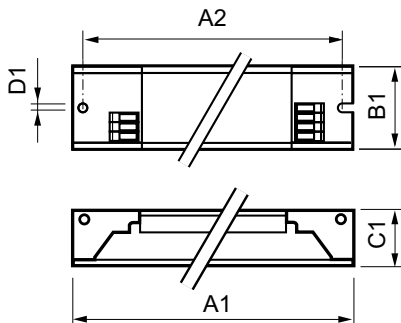
Application

- Suitable for DC operation and emergency lighting installations; full compliance with requirements for emergency lighting according to EN 61347-2-3 -annex J
- For applications with high switching activity, e.g. where movement-detection control devices are used
- For luminaires of protection class I and protection class II used in office buildings, hospitals, supermarkets, department stores, industrial premises and schools

Versions



Dimensional drawing



Product	A1	B1	C1	A2	B2	D1
HF-S 336 TL-D II 220-240V 50/60Hz	280 mm	39 mm	28.5 mm	265 mm		4.2 mm
HF-S 3/4 18 TL-D II 220-240V 50/60Hz	280 mm	39 mm	28 mm	265 mm		4.2 mm
HF-S 218/236 TL-D II 220-240V 50/60Hz	280 mm	30 mm	28 mm	265 mm		4.2 mm
HF-S 158 TL-D II 220-240V 50/60Hz	280 mm	30 mm	28.5 mm	265 mm		4.2 mm
HF-S 118/136 TL-D II 220-240V 50/60Hz	280 mm	30 mm	28 mm	265 mm		4.2 mm

Product	D1	C1	A1	A2	B1
HF-S 258 TL-D II 220-240V 50/60Hz	4.1 mm	28.0 mm	280.0 mm	265.0 mm	30.0 mm

HF-Selectalume II for TL-D lamps

Operating and Electrical

Input Frequency	50 to 60 Hz
Input Voltage	220 to 240 V

Emergency Operation

Emergency Ballast Lumen Factor (EBLF) (Nom)	100 %
---	-------

General Information

Lamp Type	TL-D
-----------	------

Approval and Application

Order Code	Full Product Name	Energy Efficiency Index
90551900	HF-S 118/136 TL-D II 220-240V 50/60Hz	A2 BAT
89739500	HF-S 158 TL-D II 220-240V 50/60Hz	A2 BAT
90553300	HF-S 218/236 TL-D II 220-240V 50/60Hz	A2 BAT

Order Code	Full Product Name	Energy Efficiency Index
89746300	HF-S 258 TL-D II 220-240V 50/60Hz	A2 BAT
90555700	HF-S 3/418 TL-D II 220-240V 50/60Hz	A2/A2BAT
89747000	HF-S 336 TL-D II 220-240V 50/60Hz	A2

General Information

Order Code	Full Product Name	Number Of Products On MCB (16A Type) B) (Nom)	Number Of Lamps
90551900	HF-S 118/136 TL-D II 220-240V 50/60Hz	28	1 piece/unit
89739500	HF-S 158 TL-D II 220-240V 50/60Hz	28	1 piece/unit
90553300	HF-S 218/236 TL-D II 220-240V 50/60Hz	28	2 piece/unit
89746300	HF-S 258 TL-D II 220-240V 50/60Hz	12	2 piece/unit

Order Code	Full Product Name	Number Of Products On MCB (16A Type) B) (Nom)	Number Of Lamps
90555700	HF-S 3/418 TL-D II 220-240V 50/60Hz	28	3/4 piece/unit
89747000	HF-S 336 TL-D II 220-240V 50/60Hz	12	3 piece/unit

Mechanical and Housing

Order Code	Full Product Name	Housing
90551900	HF-S 118/136 TL-D II 220-240V 50/60Hz	L 280x30x28
89739500	HF-S 158 TL-D II 220-240V 50/60Hz	L 280x30x28
90553300	HF-S 218/236 TL-D II 220-240V 50/60Hz	L 280x30x28

Order Code	Full Product Name	Housing
89746300	HF-S 258 TL-D II 220-240V 50/60Hz	L 280x30x28
90555700	HF-S 3/418 TL-D II 220-240V 50/60Hz	L 280x39x28
89747000	HF-S 336 TL-D II 220-240V 50/60Hz	L 280x39x28

System characteristics

Order Code	Full Product Name	Lamp		Rated
		Power On PL-L	Lamp Power On TL-D	Ballast-Lamp Power
90551900	HF-S 118/136 TL-D II 220-240V 50/60Hz	-	35 W	36 W
89739500	HF-S 158 TL-D II 220-240V 50/60Hz	-	49.5 W	58 W
90553300	HF-S 218/236 TL-D II 220-240V 50/60Hz	61.2 W	63.9/32.9 W	36/18 W

Order Code	Full Product Name	Lamp		Rated
		Power On PL-L	Lamp Power On TL-D	Ballast-Lamp Power
89746300	HF-S 258 TL-D II 220-240V 50/60Hz	-	102 W	58 W
90555700	HF-S 3/418 TL-D II 220-240V 50/60Hz	-	52.3/66.0 W	18 W
89747000	HF-S 336 TL-D II 220-240V 50/60Hz	-	95 W	36 W

HF-Selectalume II for TL-D lamps

