

# Affordable, robust solution

## HF-Selectalume II for TL-D lamps

HF-Selectalume II is the most cost-effective, reliable, slim and affordable fluorescent solution, with highly disruptive technology for energy saving, system flexibility and unsurpassed performance. The cost-saving HF-Selectalume II has a robust design which meets all relevant international safety and performance standards. HF-Selectalume II is intended for use with indoor lighting fixtures such as spotlights, downlights and recessed luminaires, which are largely used in office, retail, industry, hotel, restaurant and other applications where control devices are installed with occasional On/Off switching activity

### Benefits

- Automatic restart (after voltage dip or lamp exchange) ensures easy operation and hassle-free re-lamping.
- DC emergency operation in line with IEC/EN 60598-2-22 luminaire norms
- Suitable for luminaires in protection class I and, after testing, class II

### Features

- Complies with CE and Kema-Keur
- Average lifetime in excess of 50,000 hours at  $T_a = 50\text{ }^{\circ}\text{C}$
- Rapid warm lamp start with filament pre-heating  $< 1.6\text{ sec}$
- Active power factor correction to ensure constant light, irrespective of mains-voltage fluctuations
- The Wago 744 connector offers the flexibility for horizontal-manual or push-in robot wiring, including a simple wire-release facility

## HF-Selectalume II for TL-D lamps

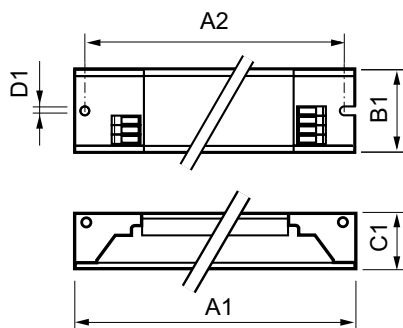
### Application

- Ideal for applications where it is necessary to reduce the wattage per square meter or operating costs
- Applications where control devices are installed with occasional On/Off switching (e.g. where movement or light sensor detectors switch the mains)
- Professional indoor applications with long operating hours such as office buildings, call centers, classrooms, hotels, department stores, retail stores, supermarkets, convenience stores and industrial premises (e.g. corridors and low-bay trunking systems) and city parking lots

### Versions



### Dimensional drawing



Product	A1	B1	C1	A2	B2	D1
HF-S 158 TL-D II 220-240V 50/60Hz	280 mm	30 mm	28.5 mm	265 mm		4.2 mm

