



EB-T electronic ballasts for TL-D lamps

EB-T Electronic ballasts for TL-D lamps (India)

Compact, lightweight, high-frequency electronic standard ballasts for TL-D 36 W/ TL40 lamps

Benefits

- The combination of EB-T ballast and TL-D/TL5 lamps offers a standard professional lighting system that fulfills all international norms
- 25% energy saving compared with standard electromagnetic ballast system
- Protection against excessive mains voltage and incorrect terminal communications (e.g. output short)

Features

- Flicker-free pre-heat (rapid-start) lamp ignition enables the lamps to be switched on and off without reducing useful life
- Offers low mains-current harmonic distortion of <10%
- End-of-life protection
- High power factor of 0.98
- Switching cycle 6500 times

Application

- Areas with long hours of usage, e.g. industrial premises, airports and railway stations
- Retail and hospitality
- Office buildings and hospitals

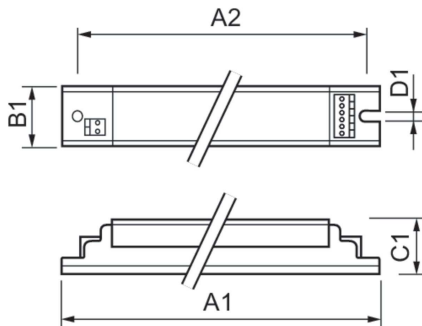
EB-T Electronic ballasts for TL-D lamps (India)

Versions



GPPR INEFLU01 0011

Dimensional drawing



Product	D1	C1	A1	A2	B1
EBT 136 TLD	4.0 mm	30.0 mm	210.0 mm	200.0 mm	40.0 mm
EBT 218 TLD	4.0 mm	30.0 mm	210.0 mm	200.0 mm	40.0 mm
EBT 236 TLD	4.0 mm	30.0 mm	210.0 mm	200.0 mm	40.0 mm

