



Accessories - completing your Luminaire Based System

Luminaire Based Accessories

Luminaire Based Accessories cover a generic range of products which can be used to extend functionality and/or simplify the design-in of our luminaire based systems.

Benefits

- Luminaire based accessories offer the possibility to extend the ActiLume family
- Accessories are clips, covers, rings and extension sensors
- Clips will ease the installation of sensors by making it possible to clip them onto the lamp
- Covers and rings are to obtain the same outer dimensions across the ActiLume family sensors and extension sensors
- Ease of installation

Features

- Philips ActiLume systems are DALI- or 1-10V based lighting control system designed for maximum comfort and energy savings of up to 75% (in fully automatic mode and when used in combination with Philips HF-Regulator Touch and DALI or 1-10V ballasts)

Application

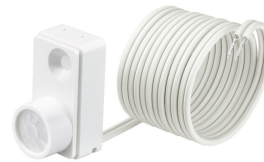
- Luminaire based accessories are designed for all ActiLume systems used in office applications

Luminaire Based Accessories

Versions



LRM8120/05 Lum Bas Ind Ext
Sensor H513 N

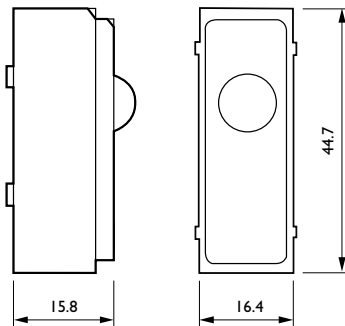


LCA8009/05 Cover ActiLume IR
sensor 50 W

LRM8140/00 ActiLume G2 RF Mov
Sensor



Dimensional drawing

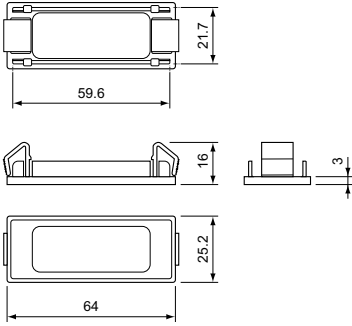


Product

LRM8119/00 Lum Based Ext Sensor 100cm

Luminaire Based Accessories

Dimensional drawing



Product

LCA8005/05 ActiLume Mounting Clip 50 W

Product details

LRM8119/00 Lum Based Ext
Sensor with LCA8004/00 COVER



LRM8119/00 Lum Based Ext
Sensor with LCA8004/00 COVER



LRM8119/00 Lum Based Ext
Sensor with LCA8004/00 COVER



LRM8119/00 Lum Based Ext
Sensor with LCA8004/00 COVER



LRM8120 Lum Bas Ind Ext Sensor
H513 N Front



Luminaire Based Accessories

Product details



LRM8140/00 ActiLume G2 RF Mov
Sensor - Front

