



ActiLume MicroLuxSense - simple daylight regulation

ActiLume MicroLuxSense

ActiLume MicroLuxSense is connected to the 1-10 V DC control input of the HFR ballast. ActiLume MicroLuxSense dims light down close to the minimum level of the ballast. ActiLume MicroLuxSense is calibrated for use in a standard office situation with 600 lux installed and 500 lux required.

Benefits

- A Daylight Regulation device which can easily be fitted in a 1-10V luminaire
- Offers energy saving opportunities when installed near windows
- Has same form fit as Actilume sensor with cover

Features

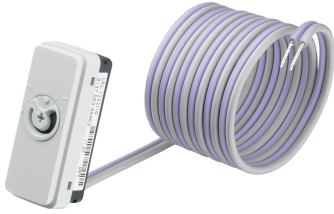
- If needed, ActiLume MicroLuxSense can be manually adjusted by a rotating diaphragm to adjust the set point. The sensitivity of the sensor can be changed within a range from 1/3 to 3
- The new set point can be copied for all ActiLume MicroLuxSense luminaires with similar daylight and reflection conditions
- ActiLume MicroLuxSense can regulate up to 20 luminaires equipped with Philips HFR ballasts
- The light sensor can either be clicked between the optics or next to the optics. The sensor has latching rills (equivalent to the ActiLume sensor)

Application

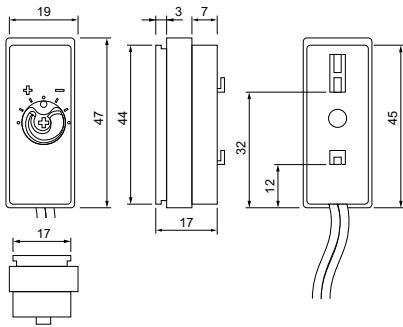
- ActiLume MicroLuxSense is designed for all office applications
- ActiLume MicroLuxSense is designed for average ceiling heights of between 2.5 and 3 m

ActiLume MicroLuxSense

Versions



Dimensional drawing



Product

LRL1222/15 ActiLume MicroLuxSense W

