



# Die energieeffiziente Alternative zu T8-Leuchtstofflampen für den professionellen Anwender

## MASTER LEDtube T8 KVG/VVG

Die Philips MASTER LEDtube KVG/VVG eignen sich hervorragend als Alternative für herkömmliche T8-Leuchtstofflampen am KVG/VVG und ermöglichen erhebliche Energieeinsparungen. Es gibt Ausführungen in drei unterschiedlichen Lichtstromklassen, um auch anspruchsvollen Anforderungen gerecht zu werden: StandardOutput (SO): bis zu 2.000 Lumen | HighOutput (HO): bis zu 3.100 Lumen | UltraOutput (UO): bis zu 3.700 Lumen.

### Vorteile

- Hohe Energieeinsparung im Vergleich zu herkömmlichen TL-D Leuchtstofflampen möglich
- Bis zu dreimal so lange Nutzlebensdauer im Vergleich zu herkömmlichen TL-D Leuchtstofflampen
- Robuster und widerstandsfähiger bei niedrigen Temperaturen im Vergleich zu herkömmlichen TL-D Leuchtstofflampen

### Merkmale

- Einfacher Austausch an Leuchten mit KVG/VVG
- Sofortiges Licht ohne Flackern und Brummen
- Kein Glas (Polycarbonat), dadurch robuster
- Frei von Quecksilber
- Kein UV- und IR-Anteil im Licht

# MASTER LEDtube T8 KVG/VVG

## Anwendung

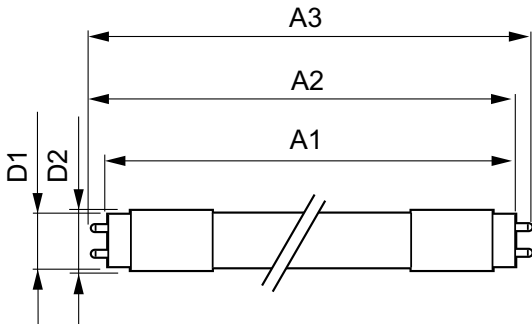
- Für die Allgemeinbeleuchtung von Lager-, Kühl- und Parkhäusern sowie Fluren
- Lampe ist in trockenen Umgebungen einzusetzen und nur in Verbindung mit einer für den Anwendungsbereich zugelassenen Leuchte zu betreiben

## Versions

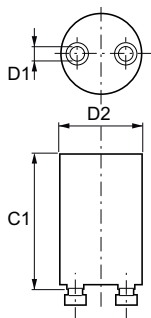


# MASTER LEDtube T8 KVG/VVG

## Abmessungsskizzen



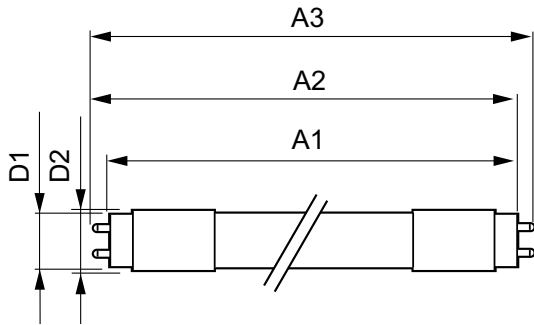
| Product                                        | D1       | D2    | A1        | A2        | A3        |
|------------------------------------------------|----------|-------|-----------|-----------|-----------|
| MAS LEDtube 1500mm<br>UO 23W 840 T8            | 25,8 mm  | 28 mm | 1498,7 mm | 1505,8 mm | 1512,9 mm |
| MAS LEDtube 1200mm<br>UO 15.5W 865 T8          | 25,8 mm  | 28 mm | 1198,2 mm | 1205,3 mm | 1212,4 mm |
| MAS LEDtube 1200mm<br>UO 15.5W 840 T8          | 25,8 mm  | 28 mm | 1198,2 mm | 1205,3 mm | 1212,4 mm |
| MAS LEDtube 1500mm<br>UO 23W 830 T8            | 25,8 mm  | 28 mm | 1498,7 mm | 1505,8 mm | 1512,9 mm |
| MAS LEDtube 1200mm<br>UO 15.5W 830 T8          | 25,8 mm  | 28 mm | 1198,2 mm | 1205,3 mm | 1212,4 mm |
| MAS LEDtube 1500mm<br>UO 23W 865 T8            | 25,8 mm  | 28 mm | 1498,7 mm | 1505,8 mm | 1512,9 mm |
| MAS LEDtube Sensor<br>1500mm HO 24W865 T8      | 25,8 mm  | 28 mm | 1500 mm   | 1507,1 mm | 1514,2 mm |
| MAS LEDtube Sensor<br>1200mm HO 16.5W865<br>T8 | 25,8 mm  | 28 mm | 1199,4 mm | 1206,5 mm | 1213,6 mm |
| MAS LEDtube Sensor<br>1200mm HO 16.5W840<br>T8 | 25,8 mm  | 28 mm | 1199,4 mm | 1206,5 mm | 1213,6 mm |
| MAS LEDtube Sensor<br>1500mm HO 24W840 T8      | 25,8 mm  | 28 mm | 1500 mm   | 1507,1 mm | 1514,2 mm |
| MAS LEDtube 600mm<br>HO 8W840 T8               | 25,78 mm | 28 mm | 588,5 mm  | 595,5 mm  | 602,5 mm  |
| MAS LEDtube 900mm<br>HO 12W 840 T8             | 25,78 mm | 28 mm | 893,3 mm  | 900,4 mm  | 907,5 mm  |
| MAS LEDtube 900mm<br>HO 12W 865 T8             | 25,78 mm | 28 mm | 893,3 mm  | 900,4 mm  | 907,5 mm  |
| MAS LEDtube 600mm<br>HO 8W830 T8               | 25,78 mm | 28 mm | 588,5 mm  | 595,5 mm  | 602,5 mm  |
| MAS LEDtube 600mm<br>HO 8W865 T8               | 25,78 mm | 28 mm | 588,5 mm  | 595,5 mm  | 602,5 mm  |



| Product                             | D1   | D2      | C1      |
|-------------------------------------|------|---------|---------|
| MASTER LEDtube Starter EMP GenII OP | 3 mm | 21,5 mm | 34,5 mm |

# MASTER LEDtube T8 KVG/VVG

## Abmessungsskizzen



| Product                               | D1      | D2    | A1        | A2        | A3        |
|---------------------------------------|---------|-------|-----------|-----------|-----------|
| MAS LEDtube 1050mm<br>16W 840 T8      | 25,8 mm | 28 mm | 1045,8 mm | 1052,9 mm | 1060 mm   |
| MAS LEDtube 1500mm<br>HO 18.2W 830 T8 | 25,8 mm | 28 mm | 1498,8 mm | 1505,9 mm | 1513 mm   |
| MAS LEDtube 1500mm<br>HO 18.2W 840 T8 | 25,8 mm | 28 mm | 1498,8 mm | 1505,9 mm | 1513 mm   |
| MAS LEDtube 1500mm<br>HO 18.2W 865 T8 | 25,8 mm | 28 mm | 1498,8 mm | 1505,9 mm | 1513 mm   |
| MAS LEDtube 1200mm<br>HO 12.5W 830 T8 | 25,8 mm | 28 mm | 1198,2 mm | 1205,3 mm | 1212,4 mm |
| MAS LEDtube 1200mm<br>HO 12.5W 840 T8 | 25,8 mm | 28 mm | 1198,2 mm | 1205,3 mm | 1212,4 mm |
| MAS LEDtube 1200mm<br>HO 12.5W 865 T8 | 25,8 mm | 28 mm | 1198,2 mm | 1205,3 mm | 1212,4 mm |
| MAS LEDtube 900mm<br>8.5W833 T8 FOOD  | 25,7 mm | 28 mm | 893,3 mm  | 900,4 mm  | 907,5 mm  |
| MAS LEDtube 1200mm<br>12W833 T8 FOOD  | 25,7 mm | 28 mm | 1198,2 mm | 1205,3 mm | 1212,4 mm |
| MAS LEDtube 1500mm<br>20W833 T8 FOOD  | 25,7 mm | 28 mm | 1500 mm   | 1507,1 mm | 1514,2 mm |
| MAS LEDtube 1500mm<br>UE 21.5W 840 T8 | 25,8 mm | 28 mm | 1498,8 mm | 1505,9 mm | 1513 mm   |
| MAS LEDtube 1200mm<br>UE 14.5W 865 T8 | 25,8 mm | 28 mm | 1198,2 mm | 1205,3 mm | 1212,4 mm |
| MAS LEDtube 1500mm<br>UE 21.5W 865 T8 | 25,8 mm | 28 mm | 1498,8 mm | 1505,9 mm | 1513 mm   |
| MAS LEDtube 1200mm<br>UE 14.5W 840 T8 | 25,8 mm | 28 mm | 1198,2 mm | 1205,3 mm | 1212,4 mm |

## Zulassungen und Anwendungseigenschaften

| Order Code | Full Product Name                     | Energieverbrauch<br>kWh/1.000 Std. | Energieeffizienz-Label<br>(EEL) |
|------------|---------------------------------------|------------------------------------|---------------------------------|
| 68708600   | MAS LEDtube 900mm<br>HO 12W 840 T8    | 12 kWh                             | A++                             |
| 68710900   | MAS LEDtube 900mm<br>HO 12W 865 T8    | 12 kWh                             | A++                             |
| 69747400   | MAS LEDtube 600mm<br>HO 8W830 T8      | 8 kWh                              | A++                             |
| 69749800   | MAS LEDtube 600mm<br>HO 8W840 T8      | 8 kWh                              | A++                             |
| 69751100   | MAS LEDtube 600mm<br>HO 8W865 T8      | 8 kWh                              | A++                             |
| 76393300   | MAS LEDtube 1200mm<br>12W833 T8 FOOD  | 12 kWh                             | A+                              |
| 73150500   | MAS LEDtube 1200mm<br>UE 14.5W 840 T8 | 15 kWh                             | A++                             |

| Order Code | Full Product Name                      | Energieverbrauch<br>kWh/1.000 Std. | Energieeffizienz-Label<br>(EEL) |
|------------|----------------------------------------|------------------------------------|---------------------------------|
| 73152900   | MAS LEDtube 1200mm<br>UE 14.5W 865 T8  | 15 kWh                             | A++                             |
| 73154300   | MAS LEDtube 1500mm<br>UE 21.5W 840 T8  | 22 kWh                             | A++                             |
| 73156700   | MAS LEDtube 1500mm<br>UE 21.5W 865 T8  | 22 kWh                             | A++                             |
| 81965400   | MASTER LEDtube Starter<br>EMP GenII OP | -                                  | -                               |
| 76391900   | MAS LEDtube 900mm<br>8.5W833 T8 FOOD   | 9 kWh                              | A+                              |
| 76395700   | MAS LEDtube 1500mm<br>20W833 T8 FOOD   | 20 kWh                             | A+                              |

# MASTER LEDtube T8 KVG/VVG

| Order Code | Full Product Name                              | Energieverbrauch<br>kWh/1.000 Std. | Energieeffizienz-Label<br>(EEL) |
|------------|------------------------------------------------|------------------------------------|---------------------------------|
| 80602900   | MAS LEDtube Sensor<br>1200mm HO 16.5W840<br>T8 | 17 kWh                             | A++                             |
| 80604300   | MAS LEDtube Sensor<br>1200mm HO 16.5W865<br>T8 | 17 kWh                             | A++                             |
| 80606700   | MAS LEDtube Sensor<br>1500mm HO 24W840 T8      | 24 kWh                             | A++                             |
| 80608100   | MAS LEDtube Sensor<br>1500mm HO 24W865 T8      | 24 kWh                             | A++                             |
| 59235600   | MAS LEDtube 1200mm<br>HO 12.5W 830 T8          | 13 kWh                             | A++                             |
| 59237000   | MAS LEDtube 1200mm<br>HO 12.5W 840 T8          | 13 kWh                             | A++                             |
| 59239400   | MAS LEDtube 1200mm<br>HO 12.5W 865 T8          | 13 kWh                             | A++                             |
| 59241700   | MAS LEDtube 1500mm<br>HO 18.2W 830 T8          | 19 kWh                             | A++                             |

| Order Code | Full Product Name                     | Energieverbrauch<br>kWh/1.000 Std. | Energieeffizienz-Label<br>(EEL) |
|------------|---------------------------------------|------------------------------------|---------------------------------|
| 59243100   | MAS LEDtube 1500mm<br>HO 18.2W 840 T8 | 19 kWh                             | A++                             |
| 59245500   | MAS LEDtube 1500mm<br>HO 18.2W 865 T8 | 19 kWh                             | A++                             |
| 61602100   | MAS LEDtube 1050mm<br>16W 840 T8      | 16 kWh                             | A++                             |
| 64721600   | MAS LEDtube 1200mm<br>UO 15.5W 830 T8 | 16 kWh                             | A++                             |
| 64723000   | MAS LEDtube 1200mm<br>UO 15.5W 840 T8 | 16 kWh                             | A++                             |
| 64725400   | MAS LEDtube 1200mm<br>UO 15.5W 865 T8 | 16 kWh                             | A++                             |
| 64727800   | MAS LEDtube 1500mm<br>UO 23W 830 T8   | 23 kWh                             | A++                             |
| 64729200   | MAS LEDtube 1500mm<br>UO 23W 840 T8   | 23 kWh                             | A++                             |
| 64731500   | MAS LEDtube 1500mm<br>UO 23W 865 T8   | 23 kWh                             | A++                             |

## Dimmen

| Order Code | Full Product Name                        | Dimmbar |
|------------|------------------------------------------|---------|
| 68708600   | MAS LEDtube 900mm HO 12W 840 T8          | Nein    |
| 68710900   | MAS LEDtube 900mm HO 12W 865 T8          | Nein    |
| 69747400   | MAS LEDtube 600mm HO 8W830 T8            | Nein    |
| 69749800   | MAS LEDtube 600mm HO 8W840 T8            | Nein    |
| 69751100   | MAS LEDtube 600mm HO 8W865 T8            | Nein    |
| 76393300   | MAS LEDtube 1200mm 12W833 T8 FOOD        | Nein    |
| 73150500   | MAS LEDtube 1200mm UE 14.5W 840 T8       | Nein    |
| 73152900   | MAS LEDtube 1200mm UE 14.5W 865 T8       | Nein    |
| 73154300   | MAS LEDtube 1500mm UE 21.5W 840 T8       | Nein    |
| 73156700   | MAS LEDtube 1500mm UE 21.5W 865 T8       | Nein    |
| 81965400   | MASTER LEDtube Starter EMP GenII OP      | -       |
| 76391900   | MAS LEDtube 900mm 8.5W833 T8 FOOD        | Nein    |
| 76395700   | MAS LEDtube 1500mm 20W833 T8 FOOD        | Nein    |
| 80602900   | MAS LEDtube Sensor 1200mm HO 16.5W840 T8 | Ja      |
| 80604300   | MAS LEDtube Sensor 1200mm HO 16.5W865 T8 | Ja      |

| Order Code | Full Product Name                      | Dimmbar |
|------------|----------------------------------------|---------|
| 80606700   | MAS LEDtube Sensor 1500mm HO 24W840 T8 | Ja      |
| 80608100   | MAS LEDtube Sensor 1500mm HO 24W865 T8 | Ja      |
| 59235600   | MAS LEDtube 1200mm HO 12.5W 830 T8     | Nein    |
| 59237000   | MAS LEDtube 1200mm HO 12.5W 840 T8     | Nein    |
| 59239400   | MAS LEDtube 1200mm HO 12.5W 865 T8     | Nein    |
| 59241700   | MAS LEDtube 1500mm HO 18.2W 830 T8     | Nein    |
| 59243100   | MAS LEDtube 1500mm HO 18.2W 840 T8     | Nein    |
| 59245500   | MAS LEDtube 1500mm HO 18.2W 865 T8     | Nein    |
| 61602100   | MAS LEDtube 1050mm 16W 840 T8          | Nein    |
| 64721600   | MAS LEDtube 1200mm UO 15.5W 830 T8     | Nein    |
| 64723000   | MAS LEDtube 1200mm UO 15.5W 840 T8     | Nein    |
| 64725400   | MAS LEDtube 1200mm UO 15.5W 865 T8     | Nein    |
| 64727800   | MAS LEDtube 1500mm UO 23W 830 T8       | Nein    |
| 64729200   | MAS LEDtube 1500mm UO 23W 840 T8       | Nein    |
| 64731500   | MAS LEDtube 1500mm UO 23W 865 T8       | Nein    |

## Elektrische Kenndaten

| Order Code | Full Product Name                     | Spannung     | Nennleistung | Startzeit |       |
|------------|---------------------------------------|--------------|--------------|-----------|-------|
|            | Eingangsfrequenz (nom.)               | (nom.)       | (nom.)       | (nom.)    |       |
| 68708600   | MAS LEDtube<br>900mm HO<br>12W 840 T8 | 50 bis 60 Hz | 220-240 V    | 12 W      | 0,5 s |
| 68710900   | MAS LEDtube<br>900mm HO<br>12W 865 T8 | 50 bis 60 Hz | 220-240 V    | 12 W      | 0,5 s |

| Order Code | Full Product Name                   | Spannung     | Nennleistung | Startzeit |       |
|------------|-------------------------------------|--------------|--------------|-----------|-------|
|            | Eingangsfrequenz (nom.)             | (nom.)       | (nom.)       | (nom.)    |       |
| 69747400   | MAS LEDtube<br>600mm HO<br>8W830 T8 | 50 bis 60 Hz | 220-240 V    | 8 W       | 0,5 s |
| 69749800   | MAS LEDtube<br>600mm HO<br>8W840 T8 | 50 bis 60 Hz | 220-240 V    | 8 W       | 0,5 s |

## MASTER LEDtube T8 KVG/VVG

| Order Code | Full Product Name                                 | Eingangsfrequenz | Spannung (nom.) | Nennleistung (nom.) | Startzeit (nom.) |
|------------|---------------------------------------------------|------------------|-----------------|---------------------|------------------|
| 69751100   | MAS LEDtube<br>600mm HO<br>8W865 T8               | 50 bis 60 Hz     | 220-240 V       | 8 W                 | 0,5 s            |
| 76393300   | MAS LEDtube<br>1200mm<br>12W833 T8<br>FOOD        | 50 bis 60 Hz     | 220-240 V       | 12 W                | 0,5 s            |
| 73150500   | MAS LEDtube<br>1200mm UE<br>14.5W 840 T8          | 50 bis 60 Hz     | 220-240 V       | 14.5 W              | 0,5 s            |
| 73152900   | MAS LEDtube<br>1200mm UE<br>14.5W 865 T8          | 50 bis 60 Hz     | 220-240 V       | 14.5 W              | 0,5 s            |
| 73154300   | MAS LEDtube<br>1500mm UE<br>21.5W 840 T8          | 50 bis 60 Hz     | 220-240 V       | 21.5 W              | 0,5 s            |
| 73156700   | MAS LEDtube<br>1500mm UE<br>21.5W 865 T8          | 50 bis 60 Hz     | 220-240 V       | 21.5 W              | 0,5 s            |
| 81965400   | MASTER<br>LEDtube<br>Starter EMP<br>GenII OP      | -                | -               | -                   | -                |
| 76391900   | MAS LEDtube<br>900mm<br>8.5W833 T8<br>FOOD        | 50 bis 60 Hz     | 220-240 V       | 8.5 W               | 0,5 s            |
| 76395700   | MAS LEDtube<br>1500mm<br>20W833 T8<br>FOOD        | 50 bis 60 Hz     | 220-240 V       | 20 W                | 0,5 s            |
| 80602900   | MAS LEDtube<br>Sensor<br>1200mm HO<br>16.5W840 T8 | 50 bis 60 Hz     | 220-240 V       | 16.5 W              | 0,5 s            |
| 80604300   | MAS LEDtube<br>Sensor<br>1200mm HO<br>16.5W865 T8 | 50 bis 60 Hz     | 220-240 V       | 16.5 W              | 0,5 s            |
| 80606700   | MAS LEDtube<br>Sensor<br>1500mm HO<br>24W840 T8   | 50 bis 60 Hz     | 220-240 V       | 24 W                | 0,5 s            |
| 80608100   | MAS LEDtube<br>Sensor                             | 50 bis 60 Hz     | 220-240 V       | 24 W                | 0,5 s            |

| Order Code | Full Product Name                        | Eingangsfrequenz | Spannung (nom.) | Nennleistung (nom.) | Startzeit (nom.) |
|------------|------------------------------------------|------------------|-----------------|---------------------|------------------|
|            | 1500mm HO<br>24W865 T8                   |                  |                 |                     |                  |
| 59235600   | MAS LEDtube<br>1200mm HO<br>12.5W 830 T8 | 50 bis 60 Hz     | 220-240 V       | 12.5 W              | 0,5 s            |
| 59237000   | MAS LEDtube<br>1200mm HO<br>12.5W 840 T8 | 50 bis 60 Hz     | 220-240 V       | 12.5 W              | 0,5 s            |
| 59239400   | MAS LEDtube<br>1200mm HO<br>12.5W 865 T8 | 50 bis 60 Hz     | 220-240 V       | 12.5 W              | 0,5 s            |
| 59241700   | MAS LEDtube<br>1500mm HO<br>18.2W 830 T8 | 50 bis 60 Hz     | 220-240 V       | 18.2 W              | 0,5 s            |
| 59243100   | MAS LEDtube<br>1500mm HO<br>18.2W 840 T8 | 50 bis 60 Hz     | 220-240 V       | 18.2 W              | 0,5 s            |
| 59245500   | MAS LEDtube<br>1500mm HO<br>18.2W 865 T8 | 50 bis 60 Hz     | 220-240 V       | 18.2 W              | 0,5 s            |
| 61602100   | MAS LEDtube<br>1050mm 16W<br>840 T8      | 50 bis 60 Hz     | 220-240 V       | 16 W                | 0,5 s            |
| 64721600   | MAS LEDtube<br>1200mm UO<br>15.5W 830 T8 | 50 bis 60 Hz     | 220-240 V       | 15.5 W              | 0,5 s            |
| 64723000   | MAS LEDtube<br>1200mm UO<br>15.5W 840 T8 | 50 bis 60 Hz     | 220-240 V       | 15.5 W              | 0,5 s            |
| 64725400   | MAS LEDtube<br>1200mm UO<br>15.5W 865 T8 | 50 bis 60 Hz     | 220-240 V       | 15.5 W              | 0,5 s            |
| 64727800   | MAS LEDtube<br>1500mm UO<br>23W 830 T8   | 50 bis 60 Hz     | 220-240 V       | 23 W                | 0,5 s            |
| 64729200   | MAS LEDtube<br>1500mm UO<br>23W 840 T8   | 50 bis 60 Hz     | 220-240 V       | 23 W                | 0,5 s            |
| 64731500   | MAS LEDtube<br>1500mm UO<br>23W 865 T8   | 50 bis 60 Hz     | 220-240 V       | 23 W                | 0,5 s            |

### Allgemeine Eigenschaften

# MASTER LEDtube T8 KVG/VVG

| Order Code | Full Product Name                              | Socket | Nennlebensdauer (nom.) | Nennlebensdauer (Std.) | Schaltzyklus |
|------------|------------------------------------------------|--------|------------------------|------------------------|--------------|
| 68708600   | MAS<br>LEDtube<br>900mm HO<br>12W 840 T8       | G13    | 50000 h                | 50000 h                | 200000X      |
| 68710900   | MAS<br>LEDtube<br>900mm HO<br>12W 865 T8       | G13    | 50000 h                | 50000 h                | 200000X      |
| 69747400   | MAS<br>LEDtube<br>600mm HO<br>8W830 T8         | G13    | 50000 h                | 50000 h                | 200000X      |
| 69749800   | MAS<br>LEDtube<br>600mm HO<br>8W840 T8         | G13    | 50000 h                | 50000 h                | 200000X      |
| 69751100   | MAS<br>LEDtube<br>600mm HO<br>8W865 T8         | G13    | 50000 h                | 50000 h                | 200000X      |
| 76393300   | MAS<br>LEDtube<br>1200mm<br>12W833 T8<br>FOOD  | G13    | 50000 h                | 50000 h                | 50000X       |
| 73150500   | MAS<br>LEDtube<br>1200mm UE<br>14.5W 840<br>T8 | G13    | 70000 h                | 70000 h                | 200000X      |
| 73152900   | MAS<br>LEDtube<br>1200mm UE<br>14.5W 865<br>T8 | G13    | 70000 h                | 70000 h                | 200000X      |
| 73154300   | MAS<br>LEDtube<br>1500mm UE<br>21.5W 840<br>T8 | G13    | 70000 h                | 70000 h                | 200000X      |
| 73156700   | MAS<br>LEDtube<br>1500mm UE<br>21.5W 865<br>T8 | G13    | 70000 h                | 70000 h                | 200000X      |
| 81965400   | MASTER<br>LEDtube<br>Starter EMP<br>GenII OP   | -      | -                      | -                      | -            |
| 76391900   | MAS<br>LEDtube                                 | G13    | 50000 h                | 50000 h                | 50000X       |

| Order Code | Full Product Name                                       | Socket | Nennlebensdauer (nom.) | Nennlebensdauer (Std.) | Schaltzyklus |
|------------|---------------------------------------------------------|--------|------------------------|------------------------|--------------|
|            | 900mm<br>8.5W833 T8<br>FOOD                             |        |                        |                        |              |
| 76395700   | MAS<br>LEDtube<br>1500mm<br>20W833 T8<br>FOOD           | G13    | 50000 h                | 50000 h                | 50000X       |
| 80602900   | MAS<br>LEDtube<br>Sensor<br>1200mm HO<br>16.5W840<br>T8 | G13    | 50000 h                | 50000 h                | 200000X      |
| 80604300   | MAS<br>LEDtube<br>Sensor<br>1200mm HO<br>16.5W865<br>T8 | G13    | 50000 h                | 50000 h                | 200000X      |
| 80606700   | MAS<br>LEDtube<br>Sensor<br>1500mm HO<br>24W840 T8      | G13    | 50000 h                | 50000 h                | 200000X      |
| 80608100   | MAS<br>LEDtube<br>Sensor<br>1500mm HO<br>24W865 T8      | G13    | 50000 h                | 50000 h                | 200000X      |
| 59235600   | MAS<br>LEDtube<br>1200mm HO<br>12.5W 830<br>T8          | G13    | 60000 h                | 60000 h                | 200000X      |
| 59237000   | MAS<br>LEDtube<br>1200mm HO<br>12.5W 840<br>T8          | G13    | 60000 h                | 60000 h                | 200000X      |
| 59239400   | MAS<br>LEDtube<br>1200mm HO<br>12.5W 865<br>T8          | G13    | 60000 h                | 60000 h                | 200000X      |
| 59241700   | MAS<br>LEDtube<br>1500mm HO<br>18.2W 830<br>T8          | G13    | 60000 h                | 60000 h                | 200000X      |

## MASTER LEDtube T8 KVG/VVG

| Order Code | Full Product Name                           | Socket | Nennlebensdauer (nom.) | Nennlebensdauer (Std.) | Schaltzyklus |
|------------|---------------------------------------------|--------|------------------------|------------------------|--------------|
| 59243100   | MAS LEDtube<br>1500mm HO<br>18.2W 840<br>T8 | G13    | 60000 h                | 60000 h                | 200000X      |
| 59245500   | MAS LEDtube<br>1500mm HO<br>18.2W 865<br>T8 | G13    | 60000 h                | 60000 h                | 200000X      |
| 61602100   | MAS LEDtube<br>1050mm<br>16W 840 T8         | G13    | 50000 h                | 50000 h                | 200000X      |
| 64721600   | MAS LEDtube<br>1200mm UO<br>15.5W 830<br>T8 | G13    | 60000 h                | 60000 h                | 200000X      |
| 64723000   | MAS LEDtube                                 | G13    | 60000 h                | 60000 h                | 200000X      |

| Order Code | Full Product Name                           | Socket | Nennlebensdauer (nom.) | Nennlebensdauer (Std.) | Schaltzyklus |
|------------|---------------------------------------------|--------|------------------------|------------------------|--------------|
| 64725400   | MAS LEDtube<br>1200mm UO<br>15.5W 840<br>T8 | G13    | 60000 h                | 60000 h                | 200000X      |
| 64727800   | MAS LEDtube<br>1500mm UO<br>23W 830 T8      | G13    | 60000 h                | 60000 h                | 200000X      |
| 64729200   | MAS LEDtube<br>1500mm UO<br>23W 840 T8      | G13    | 60000 h                | 60000 h                | 200000X      |
| 64731500   | MAS LEDtube<br>1500mm UO<br>23W 865 T8      | G13    | 60000 h                | 60000 h                | 200000X      |

### Lichttechnische Daten (1/2)

| Order Code | Full Product Name                      | Ausstrahlungswinkel (nom.) | Ähnlichste |                       |                            | Restlichtstrom am Ende der |                   |                       |
|------------|----------------------------------------|----------------------------|------------|-----------------------|----------------------------|----------------------------|-------------------|-----------------------|
|            |                                        |                            | Farbcode   | Farbtemperatur (nom.) | Farbwiedergabeindex (nom.) | Nennlebensdauer (nom.)     | Lichtstrom (nom.) | Nennlichtstrom (nom.) |
| 68708600   | MAS LEDtube 900mm<br>HO 12W 840 T8     | 160 °                      | 840        | 4000 K                | 83                         | 70 %                       | 1575 lm           | 1575 lm               |
| 68710900   | MAS LEDtube 900mm<br>HO 12W 865 T8     | 160 °                      | 865        | 6500 K                | 83                         | 70 %                       | 1575 lm           | 1575 lm               |
| 69747400   | MAS LEDtube 600mm<br>HO 8W830 T8       | 160 °                      | 830        | 3000 K                | 83                         | 70 %                       | 1000 lm           | 1000 lm               |
| 69749800   | MAS LEDtube 600mm<br>HO 8W840 T8       | 160 °                      | 840        | 4000 K                | 83                         | 70 %                       | 1050 lm           | 1050 lm               |
| 69751100   | MAS LEDtube 600mm<br>HO 8W865 T8       | 160 °                      | 865        | 6500 K                | 83                         | 70 %                       | 1050 lm           | 1050 lm               |
| 76393300   | MAS LEDtube 1200mm<br>12W833 T8 FOOD   | -                          | 833        | 3300 K                | 83                         | 70 %                       | 1000 lm           | 1000 lm               |
| 73150500   | MAS LEDtube 1200mm<br>UE 14.5W 840 T8  | 160 °                      | 840        | 4000 K                | 83                         | 70 %                       | 2500 lm           | 2500 lm               |
| 73152900   | MAS LEDtube 1200mm<br>UE 14.5W 865 T8  | 160 °                      | 865        | 6500 K                | 83                         | 70 %                       | 2500 lm           | 2500 lm               |
| 73154300   | MAS LEDtube 1500mm<br>UE 21.5W 840 T8  | 160 °                      | 840        | 4000 K                | 83                         | 70 %                       | 3700 lm           | 3700 lm               |
| 73156700   | MAS LEDtube 1500mm<br>UE 21.5W 865 T8  | 160 °                      | 865        | 6500 K                | 83                         | 70 %                       | 3700 lm           | 3700 lm               |
| 81965400   | MASTER LEDtube<br>Starter EMP GenII OP | -                          | -          | -                     | -                          | -                          | -                 | -                     |



# MASTER LEDtube T8 KVG/VVG

| Order Code | Full Product Name                              | Ausstrahlungswinkel<br>(nom.) | Ähnlichste |                          |                               | Restlichtstrom am Ende der |                      |                          |
|------------|------------------------------------------------|-------------------------------|------------|--------------------------|-------------------------------|----------------------------|----------------------|--------------------------|
|            |                                                |                               | Farbcode   | Farbtemperatur<br>(nom.) | Farbwiedergabeindex<br>(nom.) | Nennlebensdauer<br>(nom.)  | Lichtstrom<br>(nom.) | Nennlichtstrom<br>(nom.) |
| 76391900   | MAS LEDtube 900mm -<br>8.5W833 T8 FOOD         | -                             | 833        | 3300 K                   | 83                            | 70 %                       | 750 lm               | 750 lm                   |
| 76395700   | MAS LEDtube 1500mm -<br>20W833 T8 FOOD         | -                             | 833        | 3300 K                   | 83                            | 70 %                       | 1680 lm              | 1680 lm                  |
| 80602900   | MAS LEDtube Sensor<br>1200mm HO 16.5W840<br>T8 | 240 °                         | 840        | 4000 K                   | 83                            | 70 %                       | 2100 lm              | 2100 lm                  |
| 80604300   | MAS LEDtube Sensor<br>1200mm HO 16.5W865<br>T8 | 240 °                         | 865        | 6500 K                   | 83                            | 70 %                       | 2100 lm              | 2100 lm                  |
| 80606700   | MAS LEDtube Sensor<br>1500mm HO 24W840<br>T8   | 240 °                         | 840        | 4000 K                   | 83                            | 70 %                       | 3100 lm              | 3100 lm                  |
| 80608100   | MAS LEDtube Sensor<br>1500mm HO 24W865<br>T8   | 240 °                         | 865        | 6500 K                   | 83                            | 70 %                       | 3100 lm              | 3100 lm                  |
| 59235600   | MAS LEDtube 1200mm<br>HO 12.5W 830 T8          | 160 °                         | 830        | 3000 K                   | 83                            | 70 %                       | 2000 lm              | 2000 lm                  |
| 59237000   | MAS LEDtube 1200mm<br>HO 12.5W 840 T8          | 160 °                         | 840        | 4000 K                   | 83                            | 70 %                       | 2100 lm              | 2100 lm                  |
| 59239400   | MAS LEDtube 1200mm<br>HO 12.5W 865 T8          | 160 °                         | 865        | 6500 K                   | 83                            | 70 %                       | 2100 lm              | 2100 lm                  |
| 59241700   | MAS LEDtube 1500mm<br>HO 18.2W 830 T8          | 160 °                         | 830        | 3000 K                   | 83                            | 70 %                       | 2900 lm              | 2900 lm                  |
| 59243100   | MAS LEDtube 1500mm<br>HO 18.2W 840 T8          | 160 °                         | 840        | 4000 K                   | 83                            | 70 %                       | 3100 lm              | 3100 lm                  |
| 59245500   | MAS LEDtube 1500mm<br>HO 18.2W 865 T8          | 160 °                         | 865        | 6500 K                   | 83                            | 70 %                       | 3100 lm              | 3100 lm                  |
| 61602100   | MAS LEDtube 1050mm<br>16W 840 T8               | 160 °                         | 840        | 4000 K                   | 83                            | 70 %                       | 2500 lm              | 2500 lm                  |
| 64721600   | MAS LEDtube 1200mm<br>UO 15.5W 830 T8          | 160 °                         | 830        | 3000 K                   | 83                            | 70 %                       | 2300 lm              | 2300 lm                  |
| 64723000   | MAS LEDtube 1200mm<br>UO 15.5W 840 T8          | 160 °                         | 840        | 4000 K                   | 83                            | 70 %                       | 2500 lm              | 2500 lm                  |
| 64725400   | MAS LEDtube 1200mm<br>UO 15.5W 865 T8          | 160 °                         | 865        | 6500 K                   | 83                            | 70 %                       | 2500 lm              | 2500 lm                  |
| 64727800   | MAS LEDtube 1500mm<br>UO 23W 830 T8            | 160 °                         | 830        | 3000 K                   | 83                            | 70 %                       | 3400 lm              | 3400 lm                  |
| 64729200   | MAS LEDtube 1500mm<br>UO 23W 840 T8            | 160 °                         | 840        | 4000 K                   | 83                            | 70 %                       | 3700 lm              | 3700 lm                  |
| 64731500   | MAS LEDtube 1500mm<br>UO 23W 865 T8            | 160 °                         | 865        | 6500 K                   | 83                            | 70 %                       | 3700 lm              | 3700 lm                  |

## Lichttechnische Daten (2/2)

| Order Code | Full Product Name               | Nenn-Abstrahlungswinkel | Order Code | Full Product Name                 | Nenn-Abstrahlungswinkel |
|------------|---------------------------------|-------------------------|------------|-----------------------------------|-------------------------|
| 68708600   | MAS LEDtube 900mm HO 12W 840 T8 | 160 °                   | 69749800   | MAS LEDtube 600mm HO 8W840 T8     | 160 °                   |
| 68710900   | MAS LEDtube 900mm HO 12W 865 T8 | 160 °                   | 69751100   | MAS LEDtube 600mm HO 8W865 T8     | 160 °                   |
| 69747400   | MAS LEDtube 600mm HO 8W830 T8   | 160 °                   | 76393300   | MAS LEDtube 1200mm 12W833 T8 FOOD | -                       |

## MASTER LEDtube T8 KVG/VVG

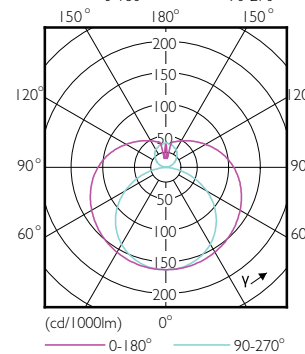
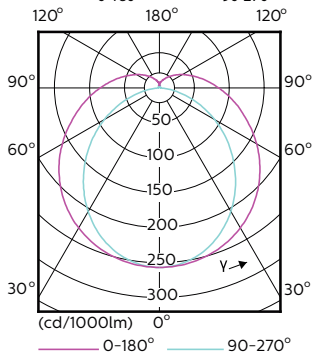
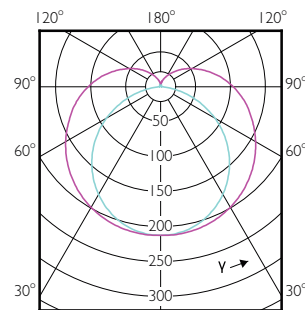
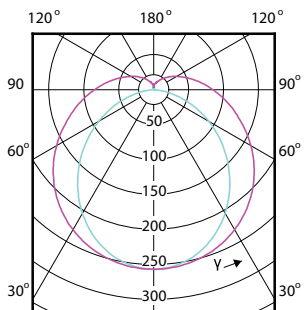
| Order Code | Full Product Name                        | Nenn-Abstrahlungswinkel | Order Code | Full Product Name                  | Nenn-Abstrahlungswinkel |
|------------|------------------------------------------|-------------------------|------------|------------------------------------|-------------------------|
| 73150500   | MAS LEDtube 1200mm UE 14.5W 840 T8       | 160 °                   | 59235600   | MAS LEDtube 1200mm HO 12.5W 830 T8 | 160 °                   |
| 73152900   | MAS LEDtube 1200mm UE 14.5W 865 T8       | 160 °                   | 59237000   | MAS LEDtube 1200mm HO 12.5W 840 T8 | 160 °                   |
| 73154300   | MAS LEDtube 1500mm UE 21.5W 840 T8       | 160 °                   | 59239400   | MAS LEDtube 1200mm HO 12.5W 865 T8 | 160 °                   |
| 73156700   | MAS LEDtube 1500mm UE 21.5W 865 T8       | 160 °                   | 59241700   | MAS LEDtube 1500mm HO 18.2W 830 T8 | 160 °                   |
| 81965400   | MASTER LEDtube Starter EMP GenII OP      | -                       | 59243100   | MAS LEDtube 1500mm HO 18.2W 840 T8 | 160 °                   |
| 76391900   | MAS LEDtube 900mm 8.5W833 T8 FOOD        | -                       | 59245500   | MAS LEDtube 1500mm HO 18.2W 865 T8 | 160 °                   |
| 76395700   | MAS LEDtube 1500mm 20W833 T8 FOOD        | -                       | 61602100   | MAS LEDtube 1050mm 16W 840 T8      | 160 °                   |
| 80602900   | MAS LEDtube Sensor 1200mm HO 16.5W840 T8 | 240 °                   | 64721600   | MAS LEDtube 1200mm UO 15.5W 830 T8 | 160 °                   |
| 80604300   | MAS LEDtube Sensor 1200mm HO 16.5W865 T8 | 240 °                   | 64723000   | MAS LEDtube 1200mm UO 15.5W 840 T8 | 160 °                   |
| 80606700   | MAS LEDtube Sensor 1500mm HO 24W840 T8   | 240 °                   | 64725400   | MAS LEDtube 1200mm UO 15.5W 865 T8 | 160 °                   |
| 80608100   | MAS LEDtube Sensor 1500mm HO 24W865 T8   | 240 °                   | 64727800   | MAS LEDtube 1500mm UO 23W 830 T8   | 160 °                   |
|            |                                          |                         | 64729200   | MAS LEDtube 1500mm UO 23W 840 T8   | 160 °                   |
|            |                                          |                         | 64731500   | MAS LEDtube 1500mm UO 23W 865 T8   | 160 °                   |

### Temperaturkenndaten

| Order Code | Full Product Name                        | Umgebungstemperatur (max.) | Umgebungstemperatur (min.) | Gehäusetemperatur (max.) | Lagertemperatur (max.) | Lagertemperatur (min.) |
|------------|------------------------------------------|----------------------------|----------------------------|--------------------------|------------------------|------------------------|
| 68708600   | MAS LEDtube 900mm HO 12W 840 T8          | 45 °C                      | -20 °C                     | 50 °C                    | 65 °C                  | -40 °C                 |
| 68710900   | MAS LEDtube 900mm HO 12W 865 T8          | 45 °C                      | -20 °C                     | 50 °C                    | 65 °C                  | -40 °C                 |
| 69747400   | MAS LEDtube 600mm HO 8W830 T8            | 35 °C                      | -20 °C                     | 50 °C                    | 65 °C                  | -40 °C                 |
| 69749800   | MAS LEDtube 600mm HO 8W840 T8            | 35 °C                      | -20 °C                     | 50 °C                    | 65 °C                  | -40 °C                 |
| 69751100   | MAS LEDtube 600mm HO 8W865 T8            | 35 °C                      | -20 °C                     | 50 °C                    | 65 °C                  | -40 °C                 |
| 76393300   | MAS LEDtube 1200mm 12W833 T8 FOOD        | 45 °C                      | -20 °C                     | 45 °C                    | 65 °C                  | -40 °C                 |
| 73150500   | MAS LEDtube 1200mm UE 14.5W 840 T8       | 35 °C                      | -20 °C                     | 55 °C                    | 65 °C                  | -40 °C                 |
| 73152900   | MAS LEDtube 1200mm UE 14.5W 865 T8       | 35 °C                      | -20 °C                     | 55 °C                    | 65 °C                  | -40 °C                 |
| 73154300   | MAS LEDtube 1500mm UE 21.5W 840 T8       | 35 °C                      | -20 °C                     | 60 °C                    | 65 °C                  | -40 °C                 |
| 73156700   | MAS LEDtube 1500mm UE 21.5W 865 T8       | 35 °C                      | -20 °C                     | 60 °C                    | 65 °C                  | -40 °C                 |
| 81965400   | MASTER LEDtube Starter EMP GenII OP      | -                          | -                          | -                        | -                      | -                      |
| 76391900   | MAS LEDtube 900mm 8.5W833 T8 FOOD        | 45 °C                      | -20 °C                     | 45 °C                    | 65 °C                  | -40 °C                 |
| 76395700   | MAS LEDtube 1500mm 20W833 T8 FOOD        | 45 °C                      | -20 °C                     | 50 °C                    | 65 °C                  | -40 °C                 |
| 80602900   | MAS LEDtube Sensor 1200mm HO 16.5W840 T8 | 45 °C                      | -20 °C                     | 55 °C                    | 65 °C                  | -40 °C                 |
| 80604300   | MAS LEDtube Sensor 1200mm HO 16.5W865 T8 | 45 °C                      | -20 °C                     | 55 °C                    | 65 °C                  | -40 °C                 |
| 80606700   | MAS LEDtube Sensor 1500mm HO 24W840 T8   | 45 °C                      | -20 °C                     | 60 °C                    | 65 °C                  | -40 °C                 |
| 80608100   | MAS LEDtube Sensor 1500mm HO 24W865 T8   | 45 °C                      | -20 °C                     | 60 °C                    | 65 °C                  | -40 °C                 |

# MASTER LEDtube T8 KVG/VVG

| Order Code | Full Product Name                  | Umgebungstemperatur (max.) | Umgebungstemperatur (min.) | Gehäusetemperatur (max.) | Lagertemperatur (max.) | Lagertemperatur (min.) |
|------------|------------------------------------|----------------------------|----------------------------|--------------------------|------------------------|------------------------|
| 59235600   | MAS LEDtube 1200mm HO 12.5W 830 T8 | 45 °C                      | -20 °C                     | 50 °C                    | 65 °C                  | -40 °C                 |
| 59237000   | MAS LEDtube 1200mm HO 12.5W 840 T8 | 45 °C                      | -20 °C                     | 50 °C                    | 65 °C                  | -40 °C                 |
| 59239400   | MAS LEDtube 1200mm HO 12.5W 865 T8 | 45 °C                      | -20 °C                     | 50 °C                    | 65 °C                  | -40 °C                 |
| 59241700   | MAS LEDtube 1500mm HO 18.2W 830 T8 | 45 °C                      | -20 °C                     | 55 °C                    | 65 °C                  | -40 °C                 |
| 59243100   | MAS LEDtube 1500mm HO 18.2W 840 T8 | 45 °C                      | -20 °C                     | 55 °C                    | 65 °C                  | -40 °C                 |
| 59245500   | MAS LEDtube 1500mm HO 18.2W 865 T8 | 45 °C                      | -20 °C                     | 55 °C                    | 65 °C                  | -40 °C                 |
| 61602100   | MAS LEDtube 1050mm 16W 840 T8      | 45 °C                      | -20 °C                     | 55 °C                    | 65 °C                  | -40 °C                 |
| 64721600   | MAS LEDtube 1200mm UO 15.5W 830 T8 | 45 °C                      | -20 °C                     | 55 °C                    | 65 °C                  | -40 °C                 |
| 64723000   | MAS LEDtube 1200mm UO 15.5W 840 T8 | 45 °C                      | -20 °C                     | 55 °C                    | 65 °C                  | -40 °C                 |
| 64725400   | MAS LEDtube 1200mm UO 15.5W 865 T8 | 45 °C                      | -20 °C                     | 55 °C                    | 65 °C                  | -40 °C                 |
| 64727800   | MAS LEDtube 1500mm UO 23W 830 T8   | 45 °C                      | -20 °C                     | 60 °C                    | 65 °C                  | -40 °C                 |
| 64729200   | MAS LEDtube 1500mm UO 23W 840 T8   | 45 °C                      | -20 °C                     | 60 °C                    | 65 °C                  | -40 °C                 |
| 64731500   | MAS LEDtube 1500mm UO 23W 865 T8   | 45 °C                      | -20 °C                     | 60 °C                    | 65 °C                  | -40 °C                 |



# MASTER LEDtube T8 KVG/VVG

