



MASTER LEDspot LV – Solusi ideal untuk pencahayaan sorot

MASTER LEDspot LV

Memberikan sinar aksent hangat seperti halogen, MASTER LEDspot LV adalah solusi retrofit yang ideal untuk aplikasi pencahayaan sorot dan umum di industri perhotelan. Lampu tersebut sangat cocok untuk area publik seperti resepsionis, lobi, koridor, tangga, dan toilet dengan lampu yang diaktifkan setiap saat. MASTER LEDspot yang dirancang secara kokoh menawarkan pilihan sudut sinar untuk penyebaran sinar yang terdefinisi secara jelas. Tidak ada UV atau IR pada sinar, sehingga sesuai untuk menerangi objek yang peka terhadap panas (makanan, bahan organik, lukisan, dll.). Driver pintar yang telah dipatenkan memungkinkan berbagai kompatibilitas dengan trafo halogen elektromagnetik dan elektronik yang ada. Versi yang dapat direduplikasi mendorong efisiensi lebih lanjut, sekaligus membantu menciptakan suasana yang diinginkan.

Benefits

- Penghematan energi hingga 80% dibandingkan dengan lampu halogen
- Kompatibilitas yang luas dengan trafo
- Dapat retrofit dengan lampu halogen MR16 bertegangan rendah dengan soket GU5.3

Features

- dapat direduplikasi (versi 7-35W dan 10-50W)
- driver cerdas yang dipatenkan
- mekanisme pergerakan udara (pendinginan kipas aktif) dengan tingkat suara yang sangat rendah
- masa pakai 25.000 hingga 45.000 jam
- CRI90 (hanya MR11)

MASTER LEDspot LV

Application

- Ideal untuk penerangan aksen di hotel, rumah sakit, toko, dan museum (misalnya lantai, lift, pajangan)

Warnings and Safety

- Kisaran suhu pengoperasian antara -20° C dan 45° C ambient
- Hanya untuk digunakan di lokasi kering atau lembap dan sebagian besar perlengkapan lampu terbuka dengan dudukan lampu yang menawarkan ruang memadai (10 mm ruang udara bebas)
- Tidak ditujukan untuk digunakan dengan perlengkapan lampu darurat atau lampu jalan keluar

Versions

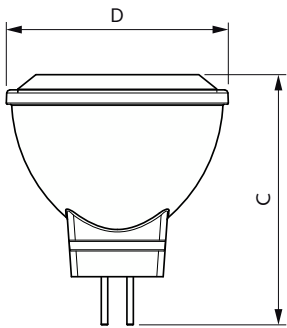
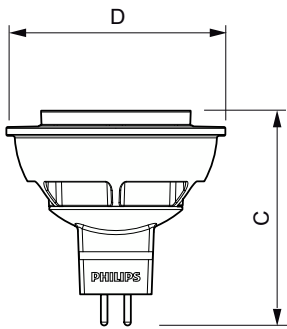


LEDspots MAS SLR 2 MR11 GU4



LEDspots MAS GMGC MR16 GU5,3

Dimensional drawing

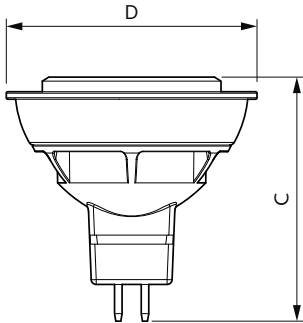


Product	D	C
MASTER LED 5.5-50W 2700K MR16 24D	50,2 mm	49 mm
MASTER LED 5.5-50W 2700K MR16 36D	50,2 mm	49 mm
MASTER LED 5.5-50W 3000K MR16 24D	50,2 mm	49 mm
MASTER LED 5.5-50W 3000K MR16 36D	50,2 mm	49 mm
MASTER LED 5.5-50W 4000K MR16 24D	50,2 mm	49 mm

Product	D	C
MAS LEDspotLV 3.5-20W 827 MR11 24D	35,1 mm	39,5 mm

MASTER LEDspot LV

Dimensional drawing



Product	D	C
MASTER LED 3.9-35W 2700K MR16 24D	50,5 mm	50 mm
MASTER LED 3.9-35W 3000K MR16 36D	50,5 mm	50 mm
MASTER LED 4.9-50W 3000K MR16 36D	50,5 mm	50 mm
MASTER LED 4.9-50W 4000K MR16 36D	50,5 mm	50 mm

Informasi Umum	
Siklus Sakelar	50.000
Teknis Lampu	
LLMF di Akhir Masa Pakai Nominal (Nom)	70 %
Pengoperasian dan Kelistrikan	
Frekuensi Input	- Hz
Waktu Mulai (Nom)	0,5 s
Kontrol dan Peredupan	
Dapat diredupkan	Tidak

Informasi Umum

Order Code	Full Product Name	Tutup-Dasar	Nominal masa pakai
929001145908	MASTER LED 5.5-50W 2700K MR16 24D	GU5.3	25.000 jam
929001146108	MASTER LED 5.5-50W 2700K MR16 36D	GU5.3	25.000 jam
929001146608	MASTER LED 5.5-50W 3000K MR16 36D	GU5.3	25.000 jam
929001146708	MASTER LED 5.5-50W 3000K MR16 24D	GU5.3	25.000 jam
929001146808	MASTER LED 5.5-50W 4000K MR16 24D	GU5.3	25.000 jam

Order Code	Full Product Name	Tutup-Dasar	Nominal masa pakai
929003087002	MAS LEDspotLV 3.5-20W 827 MR11 24D	GU4	40.000 jam
929003610208	MASTER LED 3.9-35W 2700K MR16 24D	GU5.3	25.000 jam
929003610508	MASTER LED 3.9-35W 3000K MR16 36D	GU5.3	25.000 jam
929003611008	MASTER LED 4.9-50W 3000K MR16 36D	GU5.3	25.000 jam
929003611108	MASTER LED 4.9-50W 4000K MR16 36D	GU5.3	25.000 jam

Teknis Lampu

Order Code	Full Product Name	Sudut Cahaya (Nom)	Suhu Warna Terkorelasi (Nom)	Indeks renderasi warna (CRI)	Kode Warna	Flux Cahaya (Nom)	Intensitas Cahaya
929001145908	MASTER LED 5.5-50W 2700K MR16 24D	24 °	2700 K	80	827	415 lm	1.800 cd
929001146108	MASTER LED 5.5-50W 2700K MR16 36D	36 °	2700 K	80	827	415 lm	1.000 cd
929001146608	MASTER LED 5.5-50W 3000K MR16 36D	36 °	3000 K	80	830	425 lm	1.000 cd
929001146708	MASTER LED 5.5-50W 3000K MR16 24D	24 °	3000 K	80	830	425 lm	1.800 cd
929001146808	MASTER LED 5.5-50W 4000K MR16 24D	24 °	4000 K	80	840	450 lm	1.800 cd

MASTER LEDspot LV

Order Code	Full Product Name	Suhu Warna Terkorelasi		Indeks renderasi		Intensitas Cahaya	
		Sudut Cahaya (Nom)	(Nom)	warna (CRI)	Kode Warna	Flux Cahaya (Nom)	(Nom)
929003087002	MAS LEDspotLV 3.5-20W 827 MR11 24D	24 °	2700 K	80	827	200 lm	1.000 cd
929003610208	MASTER LED 3.9-35W 2700K MR16 24D	24 °	2700 K	90	927	270 lm	1.000 cd
929003610508	MASTER LED 3.9-35W 3000K MR16 36D	36 °	3000 K	90	930	280 lm	600 cd
929003611008	MASTER LED 4.9-50W 3000K MR16 36D	36 °	3000 K	90	930	425 lm	950 cd
929003611108	MASTER LED 4.9-50W 4000K MR16 36D	36 °	4000 K	90	940	430 lm	950 cd

Pengoperasian dan Kelistrikan

Order Code	Full Product Name	Frekuensi	Konsumsi	Watt yang	Order Code	Full Product Name	Frekuensi	Konsumsi	Watt yang
		Garis	Daya	Setara			Garis	Daya	Setara
929001145908	MASTER LED 5.5-50W 2700K MR16 24D	- Hz	5,5 W	50 W	929003087002	MAS LEDspotLV 3.5-20W 827 MR11 24D	- Hz	3,5 W	20 W
929001146108	MASTER LED 5.5-50W 2700K MR16 36D	- Hz	5,5 W	50 W	929003610208	MASTER LED 3.9-35W 2700K MR16 24D	-	3,9 W	35 W
929001146608	MASTER LED 5.5-50W 3000K MR16 36D	- Hz	5,5 W	50 W	929003610508	MASTER LED 3.9-35W 3000K MR16 36D	-	3,9 W	35 W
929001146708	MASTER LED 5.5-50W 3000K MR16 24D	- Hz	5,5 W	50 W	929003611008	MASTER LED 4.9-50W 3000K MR16 36D	-	4,9 W	50 W
929001146808	MASTER LED 5.5-50W 4000K MR16 24D	- Hz	5,5 W	50 W	929003611108	MASTER LED 4.9-50W 4000K MR16 36D	-	4,9 W	50 W

Suhu

Order Code	Full Product Name	Kisaran suhu	T-Case	Order Code	Full Product Name	Kisaran suhu	T-Case
		ambien	(Nom)			ambien	(Nom)
929001145908	MASTER LED 5.5-50W 2700K MR16 24D	-	95 °C	929003087002	MAS LEDspotLV 3.5-20W 827 MR11 24D	-	85 °C
929001146108	MASTER LED 5.5-50W 2700K MR16 36D	-	95 °C	929003610208	MASTER LED 3.9-35W 2700K MR16 24D	-20 hingga +45 °C	68 °C
929001146608	MASTER LED 5.5-50W 3000K MR16 36D	-	95 °C	929003610508	MASTER LED 3.9-35W 3000K MR16 36D	-20 hingga +45 °C	68 °C
929001146708	MASTER LED 5.5-50W 3000K MR16 24D	-	95 °C	929003611008	MASTER LED 4.9-50W 3000K MR16 36D	-20 hingga +45 °C	72 °C
929001146808	MASTER LED 5.5-50W 4000K MR16 24D	-	95 °C	929003611108	MASTER LED 4.9-50W 4000K MR16 36D	-20 hingga +45 °C	72 °C

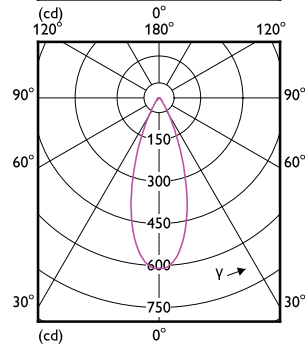
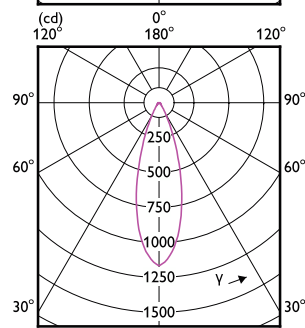
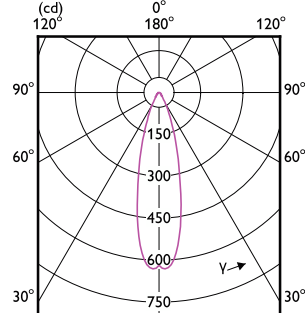
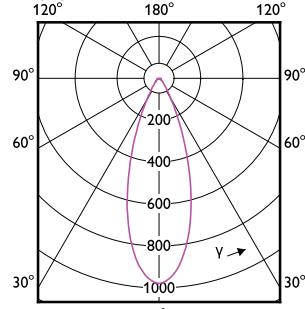
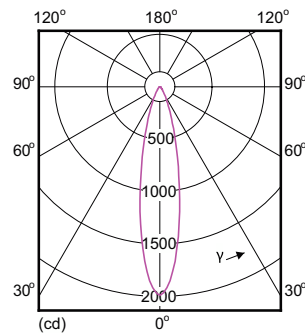
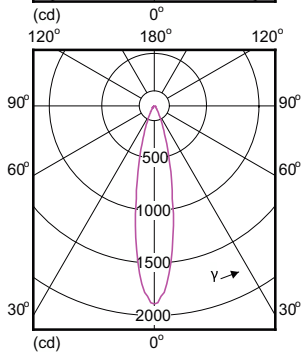
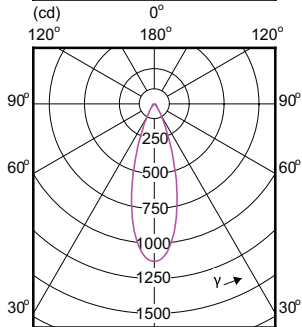
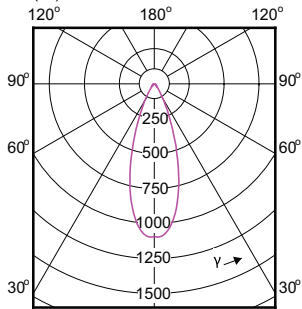
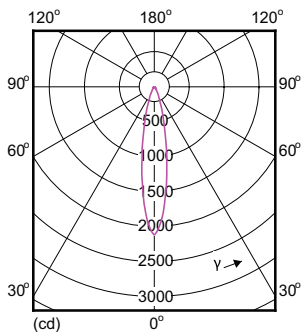
Mekanis dan Housing

Order Code	Full Product Name	Lapisan	Bentuk	Order Code	Full Product Name	Lapisan	Bentuk
		bohlam	Bohlam			bohlam	Bohlam
929001145908	MASTER LED 5.5-50W 2700K MR16 24D	-	MR16	929003610208	MASTER LED 3.9-35W 2700K MR16 24D	Bening	MR16
929001146108	MASTER LED 5.5-50W 2700K MR16 36D	-	MR16	929003610508	MASTER LED 3.9-35W 3000K MR16 36D	Bening	MR16
929001146608	MASTER LED 5.5-50W 3000K MR16 36D	-	MR16	929003611008	MASTER LED 4.9-50W 3000K MR16 36D	Bening	MR16
929001146708	MASTER LED 5.5-50W 3000K MR16 24D	-	MR16	929003611108	MASTER LED 4.9-50W 4000K MR16 36D	Bening	MR16
929001146808	MASTER LED 5.5-50W 4000K MR16 24D	-	MR16				
929003087002	MAS LEDspotLV 3.5-20W 827 MR11 24D	-	MR11				

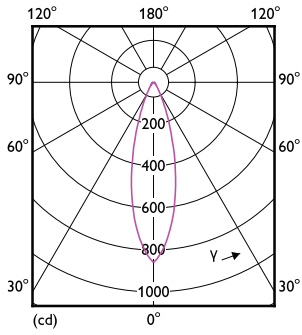
Penyetujuan dan Aplikasi

MASTER LEDspot LV

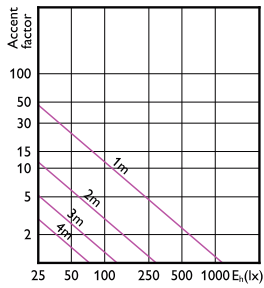
Order Code	Full Product Name	Penggunaan Energi kWh/ 1000 h
929001145908	MASTER LED 5.5-50W 2700K MR16 24D	- kWh
929001146108	MASTER LED 5.5-50W 2700K MR16 36D	- kWh
929001146608	MASTER LED 5.5-50W 3000K MR16 36D	- kWh
929001146708	MASTER LED 5.5-50W 3000K MR16 24D	- kWh
929001146808	MASTER LED 5.5-50W 4000K MR16 24D	- kWh
929003087002	MAS LEDspotLV 3.5-20W 827 MR11 24D	4 kWh
929003610208	MASTER LED 3.9-35W 2700K MR16 24D	-
929003610508	MASTER LED 3.9-35W 3000K MR16 36D	-
929003611008	MASTER LED 4.9-50W 3000K MR16 36D	-
929003611108	MASTER LED 4.9-50W 4000K MR16 36D	-



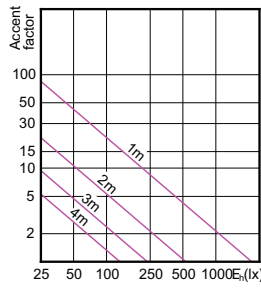
MASTER LEDspot LV



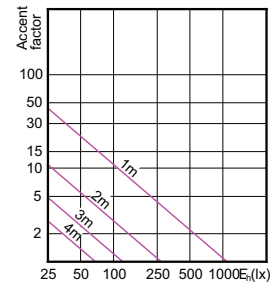
Accent Diagrams



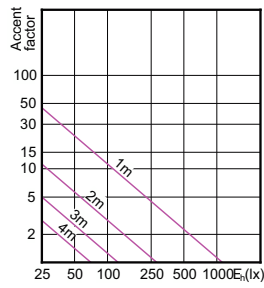
Accent Diagram - MASTER LED 4.9-50W 3000K MR16 36D



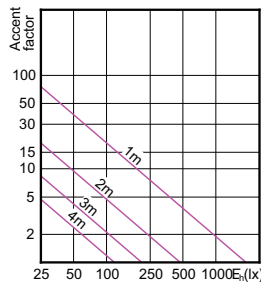
Accent Diagram - MASTER LED 5.5-50W 2700K MR16 24D



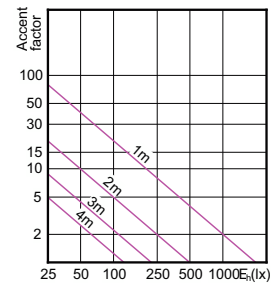
Accent Diagram - MASTER LED 5.5-50W 2700K MR16 36D



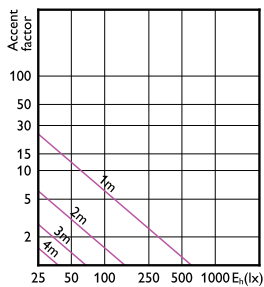
Accent Diagram - MASTER LED 5.5-50W 3000K MR16 36D



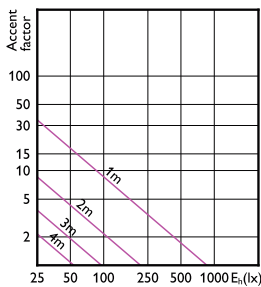
Accent Diagram - MASTER LED 5.5-50W 3000K MR16 24D



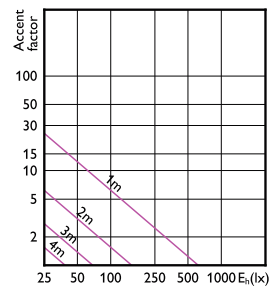
Accent Diagram - MASTER LED 5.5-50W 4000K MR16 24D



Accent Diagram - MASTER LED 3.9-35W 2700K MR16 24D



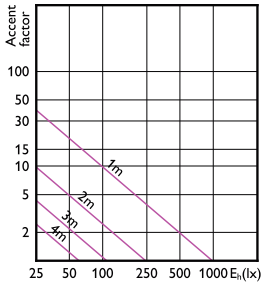
Accent Diagram - MASTER LED 3.9-35W 3000K MR16 36D



Accent Diagram - MAS LEDspotLV 3.5-20W 827 MR11 24D

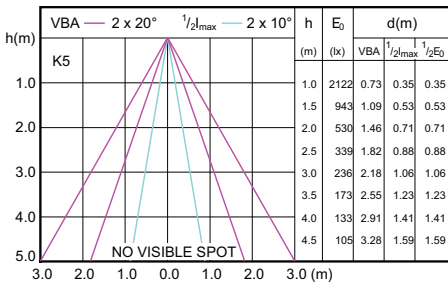
MASTER LEDspot LV

Accent Diagrams

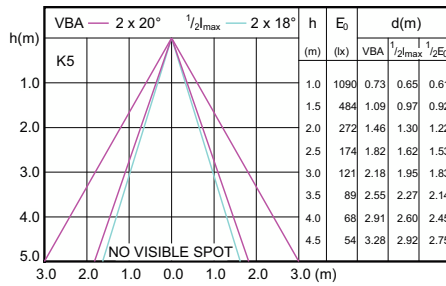


Accent Diagram - MASTER LED 4.9-50W
4000K MR16 36D

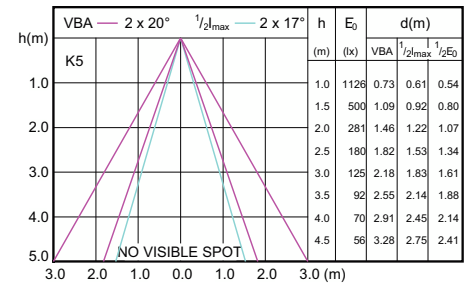
Beam Diagrams



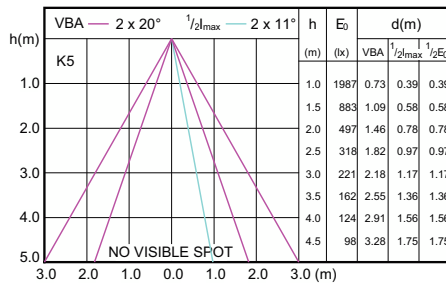
Beam diagram - MASTER LED 5.5-50W 2700K
MR16 24D



Beam diagram - MASTER LED 5.5-50W 2700K
MR16 36D

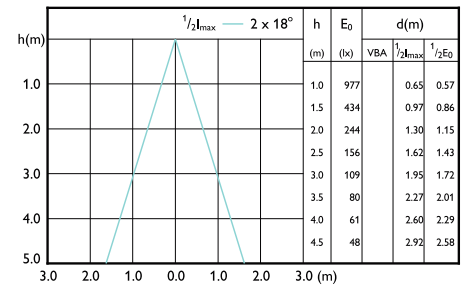


Beam diagram - MASTER LED 5.5-50W 3000K
MR16 36D



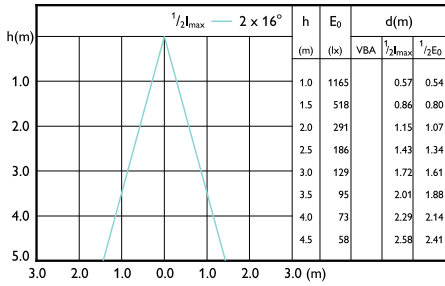
Beam diagram - MASTER LED 5.5-50W 3000K
MR16 24D

Beam diagram - MASTER LED 5.5-50W 4000K
MR16 24D

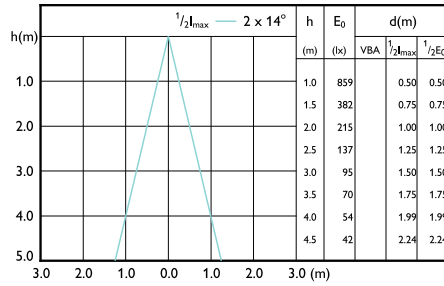


Beam diagram - MASTER LED 4.9-50W 4000K
MR16 36D

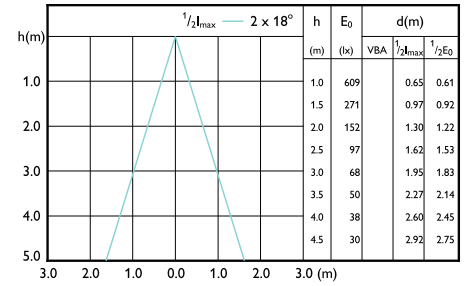
Beam Diagrams



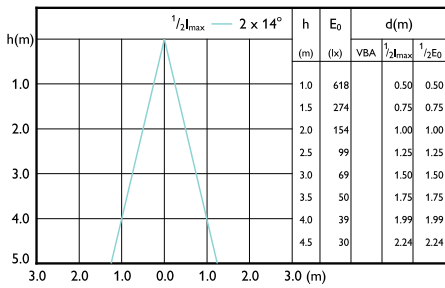
Beam diagram - MASTER LED 4.9-50W 3000K MR16 36D



Beam diagram - MASTER LED 3.9-35W 3000K MR16 36D



Beam diagram - MASTER LED 3.9-35W 2700K MR16 24D



Beam diagram - MAS LEDspotLV 3.5-20W 827 MR11 24D

