



Den perfekta lösningen för punktbelysning

MASTER VALUE LEDspot LV

Philips MASTER VALUE MR16 är en lågspänningsserie (12 V AC) som ersätter MR16-halogenlampor. Lamporna har Philips patenterade lösning som garanterar bredast möjliga kompatibilitet med elektroniska 12 V halogenttransformatorer av standardtyp. De har också intensitet i strålen som motsvarar Philips MR16-halogenlampor med 50 W. Formfaktorn för Philips MASTER Value LED MR16 säkerställer en hundraprocentig form på baksidan av lampen (exakt form med halogenlampor.)

Fördelar

- Energibesparingar på upp till 80 % jämfört med halogenlampor
- Kompatibel med en rad olika transformatorer
- Utbytbar med lågspännings-MR16-halogenlampor med GU5.3-sockel

Funktioner

- Dimbar
- Smart patentskyddat driftdon
- Luftrörelsemekanism (aktiv fläktkyllning) med mycket låga ljudnivåer
- Livslängd på 25 000 timmar
- Ljuset är helt fritt från UV- och IR-strålar och lämpar sig därför för belysning av värmekänsliga föremål (livsmedel, organiskt material, målningar osv.)

Användning

- Perfekt för accentbelysning i hotell, sjukhus, butiker och museer (t. ex. golv, hissar, montrar)

MASTER VALUE LEDspot LV

Varning och Säkerhet

- Omgivningstemperaturen vid drift är mellan 20°C och 45°C
- Endast för användning i torra eller fuktiga miljöer och i de flesta öppna armaturer med lamphållare med tillräckligt stort luftutrymme (minst 10 mm)
- Ej avsedd för användning i nödbelysningsarmaturer eller utgångsljus

Versions

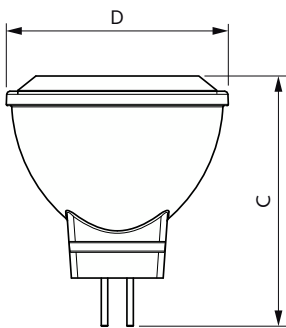
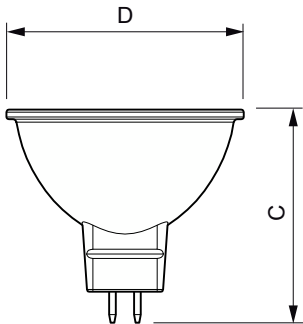


LEDspots MAS SLR 2 MR11 GU4



LEDspot MR16 GU5.3

Måttskiss

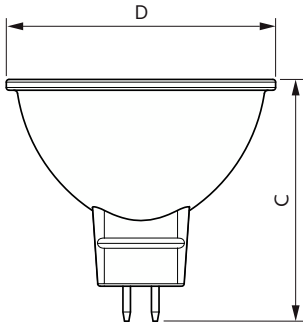


Product	D	C
MAS LED SPOT VLE D 7.5-50W MR16 927 36D	50,5 mm	45,5 mm
MAS LED SPOT VLE D 7.5-50W MR16 927 60D	50,5 mm	45,5 mm
MAS LED SPOT VLE D 7.5-50W MR16 930 36D	50,5 mm	45,5 mm
MAS LED SPOT VLE D 7.5-50W MR16 930 60D	50,5 mm	45,5 mm
MAS LED SPOT VLE D 7.5-50W MR16 940 36D	50,5 mm	45,5 mm
MAS LED SPOT VLE D 7.5-50W MR16 940 60D	50,5 mm	45,5 mm
MAS LED spot VLE D 5.8-35W MR16 927 36D	50,5 mm	45,5 mm
MAS LED spot VLE D 5.8-35W MR16 927 60D	50,5 mm	45,5 mm
MAS LED spot VLE D 5.8-35W MR16 930 36D	50,5 mm	45,5 mm
MAS LED spot VLE D 5.8-35W MR16 930 60D	50,5 mm	45,5 mm
MAS LED spot VLE D 5.8-35W MR16 940 36D	50,5 mm	45,5 mm
MAS LED spot VLE D 5.8-35W MR16 940 60D	50,5 mm	45,5 mm
MAS LEDspotLV DimTone 5.8-35W MR16 36D	50,5 mm	45,5 mm

Product	D	C
MAS LEDspotLV 3.5-20W 827 MR11 24D	35,1 mm	39,5 mm

MASTER VALUE LEDspot LV

Måttskiss



Product	D	C
MAS LEDspotLV DimTone 7.5-50W MR16 36D	50,5 mm	45,5 mm

Allmän information

Driftcykel 50 000

Ljusteknik

LLMF vid slutet av nominell livslängd (nom) 70 %

Drift och elektricitet

Ingångsfrekvens - Hz
Line Frequency - Hz
Tändningstid (nom) 0,5 s

Allmän information

Order Code	Full Product Name	Socket	Nominell livslängd
30718600	MASTER LED spot VLE D 5.8-35W MR16 927 36D	GU5.3	25 000 h
30720900	MASTER LED spot VLE D 5.8-35W MR16 930 36D	GU5.3	25 000 h
30722300	MASTER LED spot VLE D 5.8-35W MR16 940 36D	GU5.3	25 000 h
30724700	MASTER LED spot VLE D 5.8-35W MR16 927 60D	GU5.3	25 000 h
30726100	MASTER LED spot VLE D 5.8-35W MR16 930 60D	GU5.3	25 000 h
30728500	MASTER LED spot VLE D 5.8-35W MR16 940 60D	GU5.3	25 000 h
30730800	MASTER LEDspotLV DimTone 5.8-35W MR16 36D	GU5.3	25 000 h
30732200	MASTER LED SPOT VLE D 7.5-50W MR16 927 36D	GU5.3	25 000 h

Order Code	Full Product Name	Socket	Nominell livslängd
30734600	MASTER LED SPOT VLE D 7.5-50W MR16 930 36D	GU5.3	25 000 h
30736000	MASTER LED SPOT VLE D 7.5-50W MR16 940 36D	GU5.3	25 000 h
35990100	MASTER LEDspotLV 3.5-20W 827 MR11 24D	GU4	40 000 h
30744500	MASTER LEDspotLV DimTone 7.5-50W MR16 36D	GU5.3	25 000 h
30738400	MASTER LED SPOT VLE D 7.5-50W MR16 927 60D	GU5.3	25 000 h
30740700	MASTER LED SPOT VLE D 7.5-50W MR16 930 60D	GU5.3	25 000 h
30742100	MASTER LED SPOT VLE D 7.5-50W MR16 940 60D	GU5.3	25 000 h

Ljusteknik

Order Code	Full Product Name	Spridningsvinkel (nom)	Korrelerad färgtemperatur		Färgåtergivningindex	Färgkod	Ljusflöde	Ljusstyrka (nom)
			(nom)	(nom)				
30718600	MASTER LED spot VLE D 5.8-35W MR16 927 36D	36 °	2700 K	90	927	450 lm	1 300 cd	

MASTER VALUE LEDspot LV

Order Code	Full Product Name	Spridningsvinkel (nom)	Korrelerad färgtemperatur		Färgåtergivningsindex	Färgkod	Ljusflöde	Ljusstyrka (nom)
			(nom)					
30720900	MASTER LED spot VLE D 5.8-35W MR16 930 36D	36 °	3000 K		90	930	460 lm	1 300 cd
30722300	MASTER LED spot VLE D 5.8-35W MR16 940 36D	36 °	4000 K		90	940	490 lm	1 200 cd
30724700	MASTER LED spot VLE D 5.8-35W MR16 927 60D	60 °	2700 K		90	927	450 lm	600 cd
30726100	MASTER LED spot VLE D 5.8-35W MR16 930 60D	60 °	3000 K		90	930	460 lm	600 cd
30728500	MASTER LED spot VLE D 5.8-35W MR16 940 60D	60 °	4000 K		90	940	490 lm	550 cd
30730800	MASTER LEDspotLV DimTone 5.8-35W MR16 36D	36 °	2200 K		90	922-927	345 lm	800 cd
30732200	MASTER LED SPOT VLE D 7.5-50W MR16 927 36D	36 °	2700 K		90	927	621 lm	1 600 cd
30734600	MASTER LED SPOT VLE D 7.5-50W MR16 930 36D	36 °	3000 K		90	930	630 lm	1 600 cd
30736000	MASTER LED SPOT VLE D 7.5-50W MR16 940 36D	36 °	4000 K		90	940	660 lm	1 500 cd
35990100	MASTER LEDspotLV 3.5-20W 827 MR11 24D	24 °	2700 K		80	827	200 lm	1 000 cd
30744500	MASTER LEDspotLV DimTone 7.5-50W MR16 36D	36 °	2200 K		90	922-927	621 lm	1 100 cd
30738400	MASTER LED SPOT VLE D 7.5-50W MR16 927 60D	60 °	2700 K		90	927	621 lm	750 cd
30740700	MASTER LED SPOT VLE D 7.5-50W MR16 930 60D	60 °	3000 K		90	930	630 lm	800 cd
30742100	MASTER LED SPOT VLE D 7.5-50W MR16 940 60D	60 °	4000 K		90	940	660 lm	770 cd

Drift och elektricitet

Order Code	Full Product Name	Motsvarande	
		Effektförbrukning	effekt
30718600	MASTER LED spot VLE D 5.8-35W MR16 927 36D	5,8 W	35 W
30720900	MASTER LED spot VLE D 5.8-35W MR16 930 36D	5,8 W	35 W
30722300	MASTER LED spot VLE D 5.8-35W MR16 940 36D	5,8 W	35 W
30724700	MASTER LED spot VLE D 5.8-35W MR16 927 60D	5,8 W	35 W
30726100	MASTER LED spot VLE D 5.8-35W MR16 930 60D	5,8 W	35 W
30728500	MASTER LED spot VLE D 5.8-35W MR16 940 60D	5,8 W	35 W
30730800	MASTER LEDspotLV DimTone 5.8-35W MR16 36D	5,8 W	35 W
30732200	MASTER LED SPOT VLE D 7.5-50W MR16 927 36D	7,5 W	50 W

Order Code	Full Product Name	Motsvarande	
		Effektförbrukning	effekt
30734600	MASTER LED SPOT VLE D 7.5-50W MR16 930 36D	7,5 W	50 W
30736000	MASTER LED SPOT VLE D 7.5-50W MR16 940 36D	7,5 W	50 W
35990100	MASTER LEDspotLV 3.5-20W 827 MR11 24D	3,5 W	20 W
30744500	MASTER LEDspotLV DimTone 7.5-50W MR16 36D	7,5 W	50 W
30738400	MASTER LED SPOT VLE D 7.5-50W MR16 927 60D	7,5 W	50 W
30740700	MASTER LED SPOT VLE D 7.5-50W MR16 930 60D	7,5 W	50 W
30742100	MASTER LED SPOT VLE D 7.5-50W MR16 940 60D	7,5 W	50 W

Temperatur

Order Code	Full Product Name	T-Case max. (nom)
30718600	MASTER LED spot VLE D 5.8-35W MR16 927 36D	85 °C
30720900	MASTER LED spot VLE D 5.8-35W MR16 930 36D	85 °C
30722300	MASTER LED spot VLE D 5.8-35W MR16 940 36D	85 °C
30724700	MASTER LED spot VLE D 5.8-35W MR16 927 60D	85 °C
30726100	MASTER LED spot VLE D 5.8-35W MR16 930 60D	85 °C
30728500	MASTER LED spot VLE D 5.8-35W MR16 940 60D	85 °C
30730800	MASTER LEDspotLV DimTone 5.8-35W MR16 36D	88 °C
30732200	MASTER LED SPOT VLE D 7.5-50W MR16 927 36D	95 °C

Order Code	Full Product Name	T-Case max. (nom)
30734600	MASTER LED SPOT VLE D 7.5-50W MR16 930 36D	95 °C
30736000	MASTER LED SPOT VLE D 7.5-50W MR16 940 36D	95 °C
35990100	MASTER LEDspotLV 3.5-20W 827 MR11 24D	85 °C
30744500	MASTER LEDspotLV DimTone 7.5-50W MR16 36D	95 °C
30738400	MASTER LED SPOT VLE D 7.5-50W MR16 927 60D	95 °C
30740700	MASTER LED SPOT VLE D 7.5-50W MR16 930 60D	95 °C
30742100	MASTER LED SPOT VLE D 7.5-50W MR16 940 60D	95 °C

Styrenheter och dimring

MASTER VALUE LEDspot LV

Order Code	Full Product Name	Dimbar
30718600	MASTER LED spot VLE D 5.8-35W MR16 927 36D	Endast med särskilda dimrar
30720900	MASTER LED spot VLE D 5.8-35W MR16 930 36D	Endast med särskilda dimrar
30722300	MASTER LED spot VLE D 5.8-35W MR16 940 36D	Endast med särskilda dimrar
30724700	MASTER LED spot VLE D 5.8-35W MR16 927 60D	Endast med särskilda dimrar
30726100	MASTER LED spot VLE D 5.8-35W MR16 930 60D	Endast med särskilda dimrar
30728500	MASTER LED spot VLE D 5.8-35W MR16 940 60D	Endast med särskilda dimrar
30730800	MASTER LEDspotLV DimTone 5.8-35W MR16 36D	Endast med särskilda dimrar
30732200	MASTER LED SPOT VLE D 7.5-50W MR16 927 36D	Endast med särskilda dimrar

Order Code	Full Product Name	Dimbar
30734600	MASTER LED SPOT VLE D 7.5-50W MR16 930 36D	Endast med särskilda dimrar
30736000	MASTER LED SPOT VLE D 7.5-50W MR16 940 36D	Endast med särskilda dimrar
35990100	MASTER LEDspotLV 3.5-20W 827 MR11 24D	Nej
30744500	MASTER LEDspotLV DimTone 7.5-50W MR16 36D	Endast med särskilda dimrar
30738400	MASTER LED SPOT VLE D 7.5-50W MR16 927 60D	Endast med särskilda dimrar
30740700	MASTER LED SPOT VLE D 7.5-50W MR16 930 60D	Endast med särskilda dimrar
30742100	MASTER LED SPOT VLE D 7.5-50W MR16 940 60D	Endast med särskilda dimrar

Mekanik och armaturhus

Order Code	Full Product Name	Lampform
30718600	MASTER LED spot VLE D 5.8-35W MR16 927 36D	MR16
30720900	MASTER LED spot VLE D 5.8-35W MR16 930 36D	MR16
30722300	MASTER LED spot VLE D 5.8-35W MR16 940 36D	MR16
30724700	MASTER LED spot VLE D 5.8-35W MR16 927 60D	MR16
30726100	MASTER LED spot VLE D 5.8-35W MR16 930 60D	MR16
30728500	MASTER LED spot VLE D 5.8-35W MR16 940 60D	MR16
30730800	MASTER LEDspotLV DimTone 5.8-35W MR16 36D	MR16
30732200	MASTER LED SPOT VLE D 7.5-50W MR16 927 36D	MR16

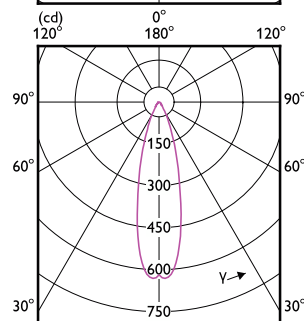
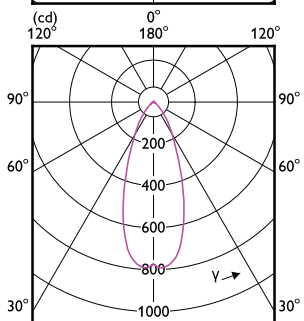
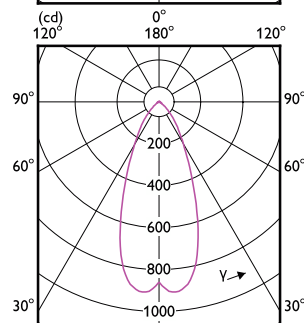
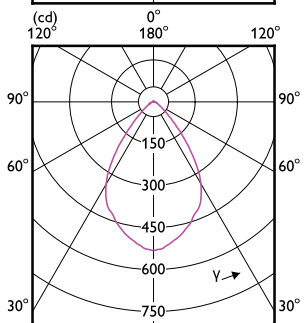
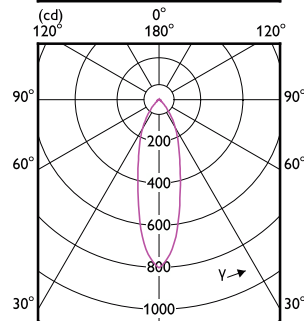
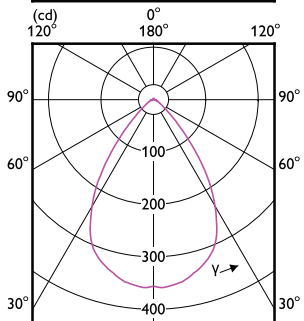
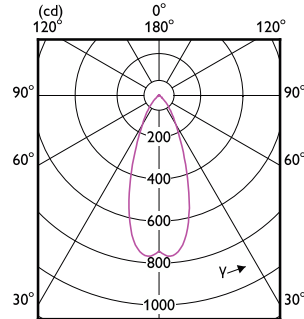
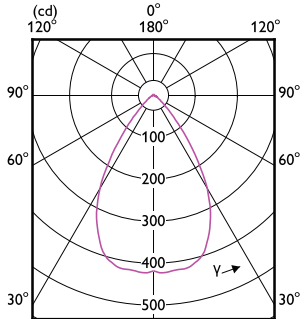
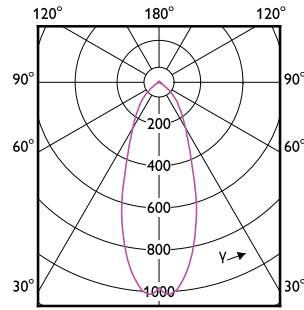
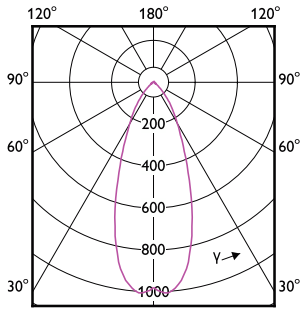
Order Code	Full Product Name	Lampform
30734600	MASTER LED SPOT VLE D 7.5-50W MR16 930 36D	MR16
30736000	MASTER LED SPOT VLE D 7.5-50W MR16 940 36D	MR16
35990100	MASTER LEDspotLV 3.5-20W 827 MR11 24D	MR11
30744500	MASTER LEDspotLV DimTone 7.5-50W MR16 36D	MR16
30738400	MASTER LED SPOT VLE D 7.5-50W MR16 927 60D	MR16
30740700	MASTER LED SPOT VLE D 7.5-50W MR16 930 60D	MR16
30742100	MASTER LED SPOT VLE D 7.5-50W MR16 940 60D	MR16

Användning och godkännande

Order Code	Full Product Name	Energiförbrukning kWh/ 1 000 tim
30718600	MASTER LED spot VLE D 5.8-35W MR16 927 36D	6 kWh
30720900	MASTER LED spot VLE D 5.8-35W MR16 930 36D	6 kWh
30722300	MASTER LED spot VLE D 5.8-35W MR16 940 36D	6 kWh
30724700	MASTER LED spot VLE D 5.8-35W MR16 927 60D	6 kWh
30726100	MASTER LED spot VLE D 5.8-35W MR16 930 60D	6 kWh
30728500	MASTER LED spot VLE D 5.8-35W MR16 940 60D	6 kWh
30730800	MASTER LEDspotLV DimTone 5.8-35W MR16 36D	6 kWh
30732200	MASTER LED SPOT VLE D 7.5-50W MR16 927 36D	8 kWh
30734600	MASTER LED SPOT VLE D 7.5-50W MR16 930 36D	8 kWh

Order Code	Full Product Name	Energiförbrukning kWh/ 1 000 tim
30736000	MASTER LED SPOT VLE D 7.5-50W MR16 940 36D	8 kWh
35990100	MASTER LEDspotLV 3.5-20W 827 MR11 24D	4 kWh
30744500	MASTER LEDspotLV DimTone 7.5-50W MR16 36D	8 kWh
30738400	MASTER LED SPOT VLE D 7.5-50W MR16 927 60D	8 kWh
30740700	MASTER LED SPOT VLE D 7.5-50W MR16 930 60D	8 kWh
30742100	MASTER LED SPOT VLE D 7.5-50W MR16 940 60D	8 kWh

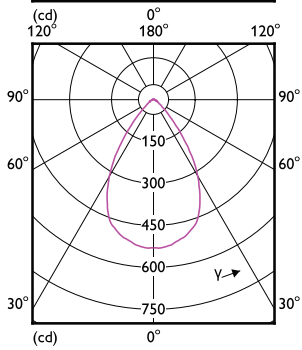
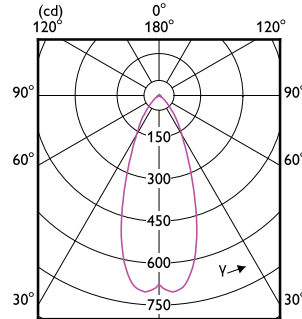
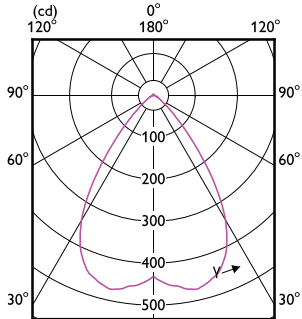
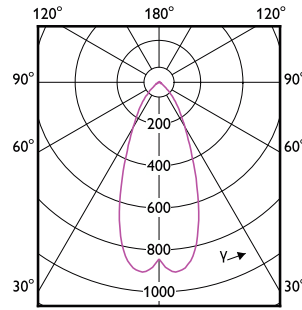
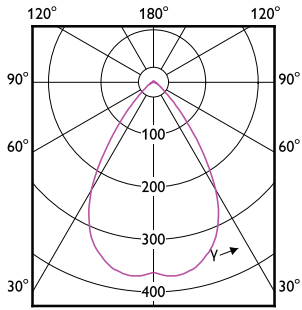
MASTER VALUE LEDspot LV



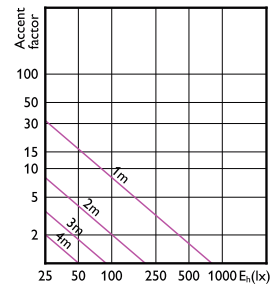
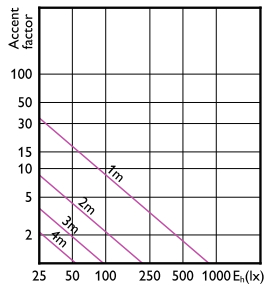
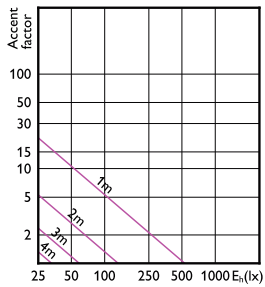
(cd) 0°

(cd) 0°

MASTER VALUE LEDspot LV



Accent Diagrams

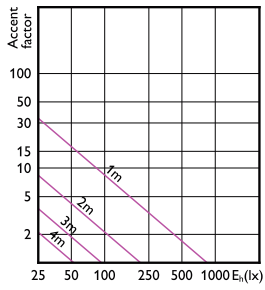


Accent Diagram - MAS LED SPOT VLE D
7.5-50W MR16 927 60D

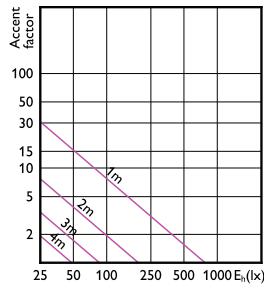
Accent Diagram - MAS LED SPOT VLE D
7.5-50W MR16 930 36D

Accent Diagram - MAS LEDspotLV DimTone
5.8-35W MR16 36D

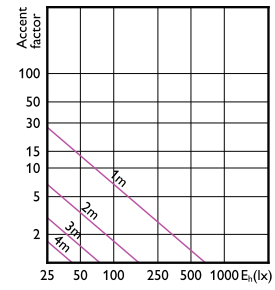
Accent Diagrams



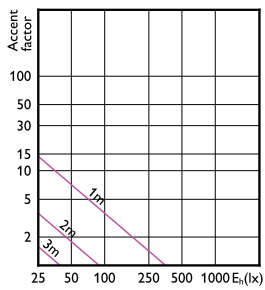
Accent Diagram - MAS LED SPOT VLE D
7.5-50W MR16 940 36D



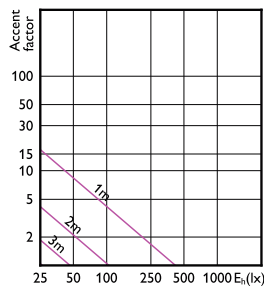
Accent Diagram - MAS LED spot VLE D 5.8-35W
MR16 940 36D



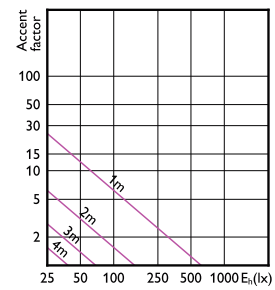
Accent Diagram - MAS LED spot VLE D 5.8-35W
MR16 927 36D



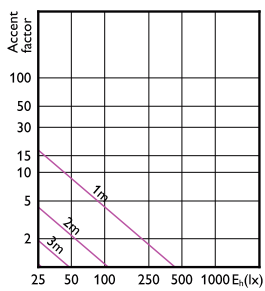
Accent Diagram - MAS LED spot VLE D 5.8-35W
MR16 930 60D



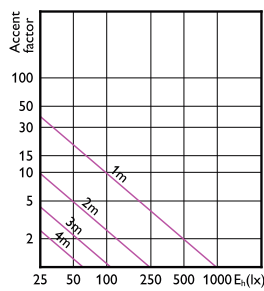
Accent Diagram - MAS LED spot VLE D 5.8-35W
MR16 940 60D



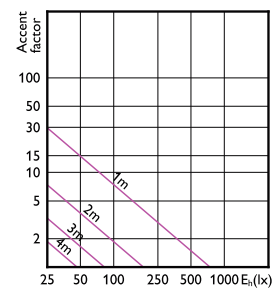
Accent Diagram - MAS LEDspotLV 3.5-20W 827
MR11 24D



Accent Diagram - MAS LED SPOT VLE D
7.5-50W MR16 930 60D



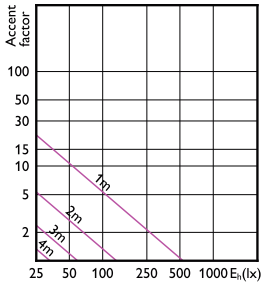
Accent Diagram - MAS LEDspotLV DimTone
7.5-50W MR16 36D



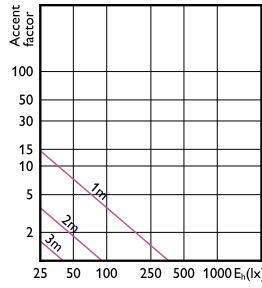
Accent Diagram - MAS LED spot VLE D 5.8-35W
MR16 930 36D

MASTER VALUE LEDspot LV

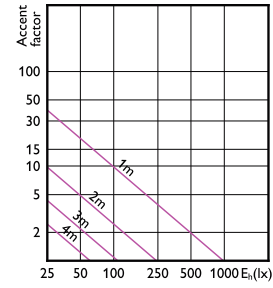
Accent Diagrams



Accent Diagram - MAS LED SPOT VLE D
7.5-50W MR16 940 60D

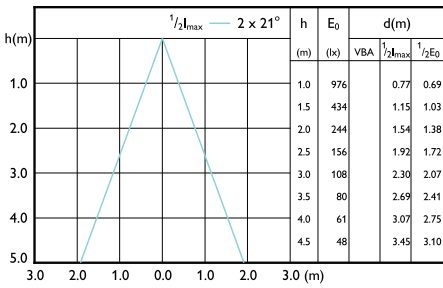


Accent Diagram - MAS LED spot VLE D 5.8-35W
MR16 927 60D

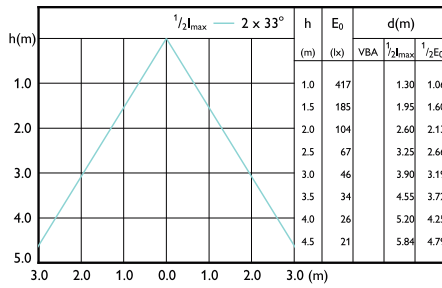


Accent Diagram - MAS LED SPOT VLE D
7.5-50W MR16 927 36D

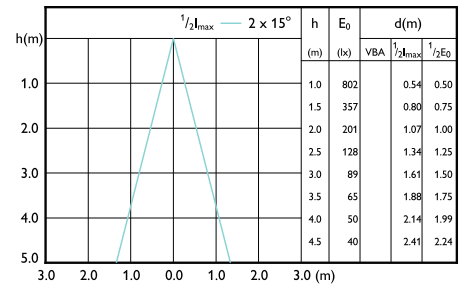
Beam Diagrams



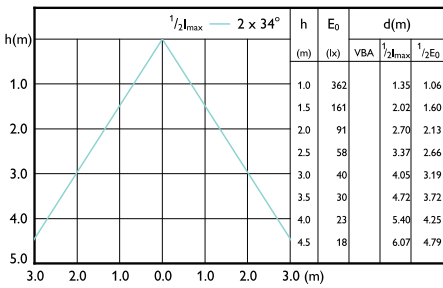
Beam diagram - MAS LED SPOT VLE D 7.5-50W
MR16 927 36D



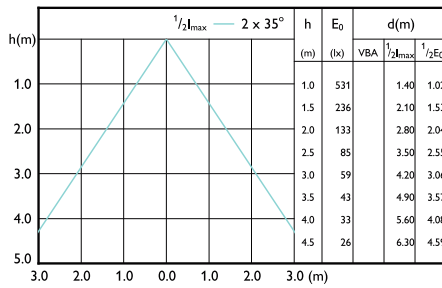
Beam diagram - MAS LED spot VLE D 5.8-35W
MR16 940 60D



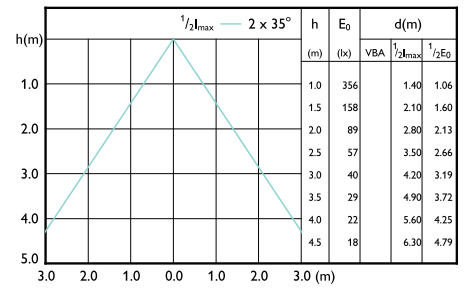
Beam diagram - MAS LEDspotLV DimTone
5.8-35W MR16 36D



Beam diagram - MAS LED spot VLE D 5.8-35W
MR16 927 60D

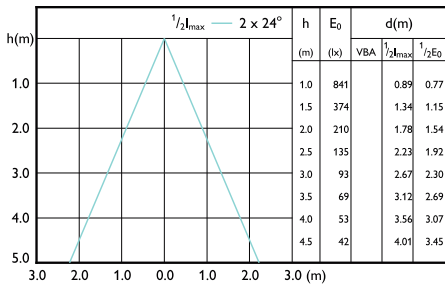


Beam diagram - MAS LED SPOT VLE D 7.5-50W
MR16 940 60D

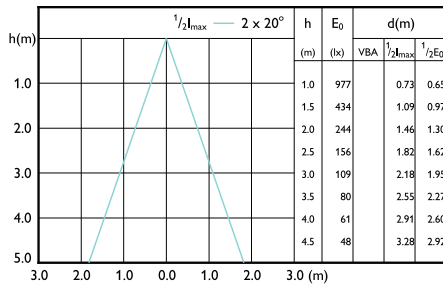


Beam diagram - MAS LED spot VLE D 5.8-35W
MR16 930 60D

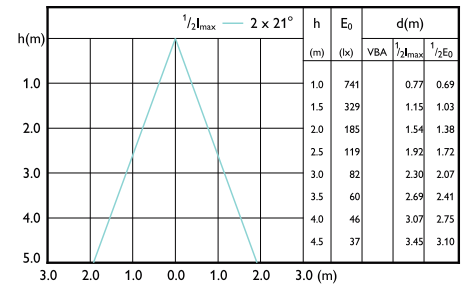
Beam Diagrams



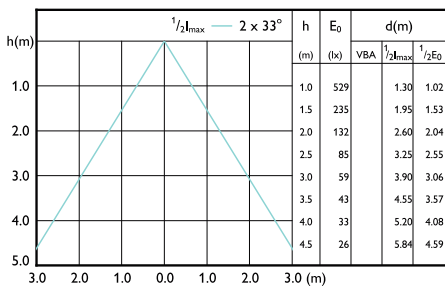
Beam diagram - MAS LED SPOT VLE D 7.5-50W MR16 940 36D



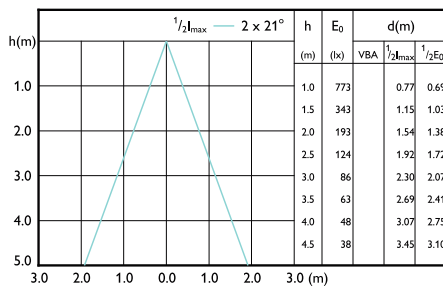
Beam diagram - MAS LEDspotLV DimTone 7.5-50W MR16 36D



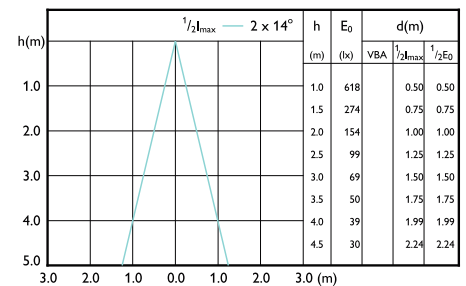
Beam diagram - MAS LED spot VLE D 5.8-35W MR16 930 36D



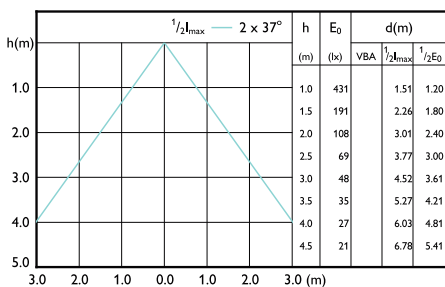
Beam diagram - MAS LED SPOT VLE D 7.5-50W MR16 927 60D



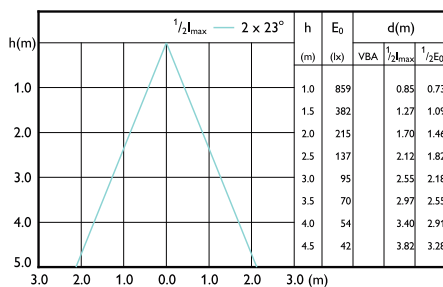
Beam diagram - MAS LED spot VLE D 5.8-35W MR16 940 36D



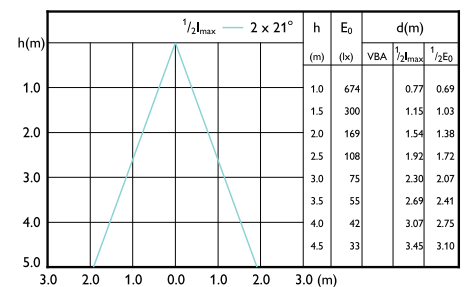
Beam diagram - MAS LEDspotLV 3.5-20W 827 MR11 24D



Beam diagram - MAS LED SPOT VLE D 7.5-50W MR16 930 60D



Beam diagram - MAS LED SPOT VLE D 7.5-50W MR16 930 36D



Beam diagram - MAS LED spot VLE D 5.8-35W MR16 927 36D

MASTER VALUE LEDspot LV

