



MVP507

OptiVision MVP507

OptiVision, the first asymmetric luminaire for downlighting that combines compactness with very high efficiency. It provides excellent spill light control, limitation of glare and upward leakage of light. Accommodates metal halide lamps for good colour rendering or a high-pressure sodium lamp for economical running costs. Available in narrow, medium and wide beams.

Benefits

- Breakthrough asymmetrical downlighting luminaire combines compact dimensions with high efficiency
- Available with narrow, medium and wide beams for flexibility in use; sharp beam cut-off for excellent control of spill light and limitation of glare and upward light leakage
- Can be used with metal-halide lamps for good color rendering or high-pressure sodium lamps for economical operation

Features

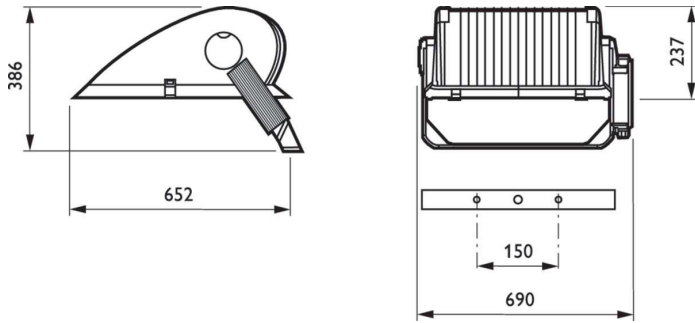
- Compact dimensions
- High efficiency
- Can be used with metal-halide lamps or high-pressure sodium lamps
- Choice of narrow, medium and wide beams
- Control of spill light, glare and upward light leakage

Application

- Sports facilities
- Industrial areas
- Car parks

OptiVision MVP507

Dimensional drawing



Product details



General Information	
CE mark	Yes
Flammability mark	-
Gear	-
Number of gear units	-
Product family code	MVP507
Light Technical	
Luminaire light beam spread	-
Optical cover type	Flat glass
Number of light sources	1
Standard tilt angle side entry	-
Standard tilt angle posttop	-
Controls and Dimming	
Dimmable	No
Mechanical and Housing	
Housing Color	Aluminum
Approval and Application	
Mech. impact protection code	IK08
Ingress protection code	IP65
Surge Protection (Common/Differential)	-
Application Conditions	
Maximum dim level	Not applicable

General Information

Order Code	Full Product Name	Lamp family code
15194600	MVP507 HPI-T1000W K WB	HPI-T
15196000	MVP507 MHN-LA2000W/842 400V WB SI	MHN-LA
15197700	MVP507 MHN-LA2000W/842 400V MB SI	MHN-LA
15198400	MVP507 MHN-LA2000W/842 400V NB SI	MHN-LA
15201100	MVP507 HPI-T1000W WB	HPI-T
15203500	MVP507 MHN-LA2000W 400V WB SI	MHN-LA
15204200	MVP507 MHN-LA2000W 400V MB SI	MHN-LA
15205900	MVP507 MHN-LA2000W 400V NB SI	MHN-LA
15207300	MVP507 MHN-LA2000W/956 400V WB SI	MHN-LA
15208000	MVP507 MHN-LA2000W/956 400V MB SI	MHN-LA
15209700	MVP507 MHN-LA2000W/956 400V NB SI	MHN-LA
54628500	MVP507 SON-TP600W K WB SI	SON-TP
54629200	MVP507 SON-T1000W K WB SI	SON-T
54630800	MVP507 MHN-LA1000W/842 230V WB SI	MHN-LA
54631500	MVP507 SON-T600W WB SI	SON-T
54632200	MVP507 SON-T1000W WB SI	SON-T
54633900	MVP507 MHN-LA1000W 230V WB SI	MHN-LA
29134600	MVP507 MHN-FC2000W/740 400V NB SI	MHN-FC
29135300	MVP507 MHN-FC2000W/740 400V MB SI	MHN-FC
29136000	MVP507 MHN-FC2000W/740 400V WB SI	MHN-FC
29150600	MVP507 MHN-FC1000W/740 230V MB SI	MHN-FC
29251000	MVP507 MHN-FC1000W/740 230V WB SI	MHN-FC
42131300	MVP507 MHN-LA1000W/956 WB SI	MHN-LA

Light Technical

Order Code	Full Product Name	Light source color	Correlated		
			Color Temperature (Nom)	Color rendering index (CRI)	Optic type outdoor
15194600	MVP507 HPI-T1000W K WB	-	4300 K	57	Wide beam
15196000	MVP507 MHN-LA2000W/842 400V WB SI	842 neutral white	4200 K	>80	Wide beam
15197700	MVP507 MHN-LA2000W/842 400V MB SI	842 neutral white	4200 K	>80	Medium beam
15198400	MVP507 MHN-LA2000W/842 400V NB SI	842 neutral white	4200 K	>80	Narrow beam
15201100	MVP507 HPI-T1000W WB	-	-	-	Wide beam
15203500	MVP507 MHN-LA2000W 400V WB SI	-	-	-	Wide beam

Order Code	Full Product Name	Light source color	Correlated		
			Color Temperature (Nom)	Color rendering index (CRI)	Optic type outdoor
15204200	MVP507 MHN-LA2000W 400V MB SI	-	-	-	Medium beam
15205900	MVP507 MHN-LA2000W 400V NB SI	-	-	-	Narrow beam
15207300	MVP507 MHN-LA2000W/956 400V WB SI	956 daylight	5600 K	>90	Wide beam
15208000	MVP507 MHN-LA2000W/956 400V MB SI	956 daylight	5600 K	>90	Medium beam
15209700	MVP507 MHN-LA2000W/956 400V NB SI	956 daylight	5600 K	>90	Narrow beam
54628500	MVP507 SON-TP600W K WB SI	-	2000 K	25	Wide beam

OptiVision MVP507

Order Code	Full Product Name	Light source color	Correlated		
			Color Temperature (Nom)	Color rendering index (CRI)	Optic type outdoor
54629200	MVP507 SON-T1000W K WB SI	-	2000 K	25	Wide beam
54630800	MVP507 MHN-LA1000W/842 230V WB SI	842 neutral white	4200 K	>80	Wide beam
54631500	MVP507 SON-T600W WB SI	-	-	-	Wide beam
54632200	MVP507 SON-T1000W WB SI	-	-	-	Wide beam
54633900	MVP507 MHN-LA1000W 230V WB SI	-	-	-	Wide beam
29134600	MVP507 MHN-FC2000W/740 400V NB SI	740 neutral white	4000 K	>70	Narrow beam

Order Code	Full Product Name	Light source color	Correlated		
			Color Temperature (Nom)	Color rendering index (CRI)	Optic type outdoor
29135300	MVP507 MHN-FC2000W/740 400V MB SI	740 neutral white	4000 K	>70	Medium beam
29136000	MVP507 MHN-FC2000W/740 400V WB SI	740 neutral white	4000 K	>70	Wide beam
29150600	MVP507 MHN-FC1000W/740 230V MB SI	740 neutral white	4000 K	>70	Medium beam
29251000	MVP507 MHN-FC1000W/740 230V WB SI	740 neutral white	4000 K	>70	Wide beam
42131300	MVP507 MHN-LA1000W/956 WB SI	956 daylight	5600 K	>95	Wide beam

Operating and Electrical

Order Code	Full Product Name	Power Consumption
15194600	MVP507 HPI-T1000W K WB	1,000 W
15196000	MVP507 MHN-LA2000W/842 400V WB SI	2,000 W
15197700	MVP507 MHN-LA2000W/842 400V MB SI	2,000 W
15198400	MVP507 MHN-LA2000W/842 400V NB SI	2,000 W
15201100	MVP507 HPI-T1000W WB	1,000 W
15203500	MVP507 MHN-LA2000W 400V WB SI	2,000 W
15204200	MVP507 MHN-LA2000W 400V MB SI	2,000 W
15205900	MVP507 MHN-LA2000W 400V NB SI	2,000 W
15207300	MVP507 MHN-LA2000W/956 400V WB SI	2,000 W
15208000	MVP507 MHN-LA2000W/956 400V MB SI	2,000 W
15209700	MVP507 MHN-LA2000W/956 400V NB SI	2,000 W
54628500	MVP507 SON-TP600W K WB SI	600 W

Order Code	Full Product Name	Power Consumption
54629200	MVP507 SON-T1000W K WB SI	1,000 W
54630800	MVP507 MHN-LA1000W/842 230V WB SI	1,000 W
54631500	MVP507 SON-T600W WB SI	600 W
54632200	MVP507 SON-T1000W WB SI	1,000 W
54633900	MVP507 MHN-LA1000W 230V WB SI	1,000 W
29134600	MVP507 MHN-FC2000W/740 400V NB SI	2,000 W
29135300	MVP507 MHN-FC2000W/740 400V MB SI	2,000 W
29136000	MVP507 MHN-FC2000W/740 400V WB SI	2,000 W
29150600	MVP507 MHN-FC1000W/740 230V MB SI	1,000 W
29251000	MVP507 MHN-FC1000W/740 230V WB SI	1,000 W
42131300	MVP507 MHN-LA1000W/956 WB SI	1,000 W

