



# A new generation for Linear LED T8 lighting.

## LED InstantFit Lamps

Philips LED T8 InstantFit Lamps are an ideal energy saving choice for existing linear fluorescent fixtures.

### Benefits

- Over 41% energy savings vs F32T8 electronic instant start systems (2)
- No mercury allowing for non-hazardous waste disposal.
- Emits virtually no UV rays or IR
- Glass-free for safer working conditions
- 5 year limited warranty (3)
- (2) Lamp F32T8 Electronic Instant Start System with 0.88 Ballast Factor= 58 SystemWatts (2) Philips LED T8 InstantFit = 34 SystemWatts  $58 - 34 = 24$  SystemWatts Saved  $24 / 58 = 41.4\%$  Energy Saved
- (3) See warranty for terms and conditions.

### Features

- Instant on, no flicker or buzz
- Fits into existing linear fixtures
- Compatible with Instant Start ballasts (1) eliminating the need for rewiring and allows fixture to maintain original UL compliance.
- (1) Must follow guidelines for installation from Philips Quick Installation Guide included with lamp shipment.

### Application

- Full light output in spaces with temperatures down to  $-22^{\circ}\text{F}$  ( $-30^{\circ}\text{C}$ )
- Perfect for applications with frequent "on/off" switching cycles
- Buildings that desire to be mercury free

# LED InstantFit Lamps

## Versions



G13

LEDtube G13

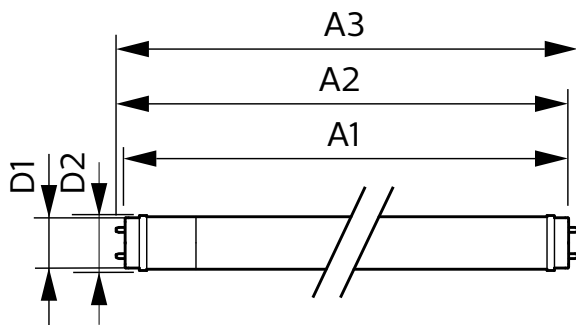
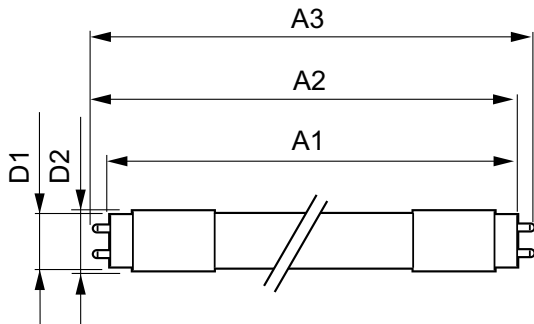
Medium Bi-Pin Fluorescent

Medium Bi-Pin Fluorescent



LEDtube G13

## Dimensional drawing

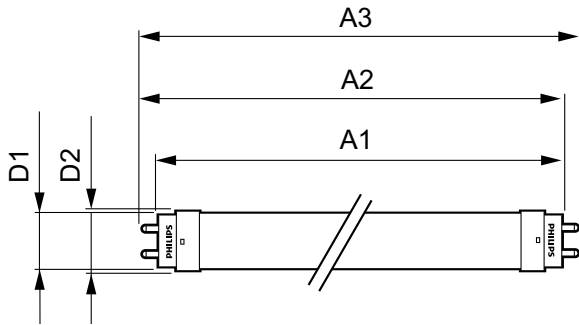


Product	D1	D2	A1	A2	A3
16T8/LED/48-840/ UF18/G 10/1	25.7 mm	28 mm	1198 mm	1205 mm	1212 mm
16T8/LED/48-850/ UF18/G 10/1	25.7 mm	28 mm	1198 mm	1205 mm	1212 mm
16.5T8 LED/48-4000 20/1 DC Driver	25.68 mm	28 mm	1198.0 mm	1205.0 mm	1212.0 mm

Product	D1	D2	A1	A2	A3
16T8/LED/48-850/IF18/G 25/1	25.7 mm	28 mm	1198 mm	1205 mm	1212 mm
16T8/LED/48-840/IF18/G 25/1	25.7 mm	28 mm	1198 mm	1205 mm	1212 mm
16T8/LED/48-840/MF18/G/ Clear 1/4 FFP	25.7 mm	28 mm	1198 mm	1205 mm	1212 mm
16T8/LED/48-850/MF18/G/ Clear 1/4 FFP	25.7 mm	28 mm	1198 mm	1205 mm	1212 mm

# LED InstantFit Lamps

## Dimensional drawing



Product	D1	D2	A1	A2	A3
14T8/COR/48-850/MF18/G 1/4 FFP	25.7 mm	28 mm	1198 mm	1205 mm	1212 mm
14T8/COR/48-840/MF18/G 1/4 FFP	25.7 mm	28 mm	1198 mm	1205 mm	1212 mm

### Operating and Electrical

Starting Time (Nom)	0.5 s
---------------------	-------

### General Information

Cap-Base	G13
Switching Cycle	50000X

### Light Technical

LLmf At End Of Nominal Lifetime (Nom)	70 %
---------------------------------------	------

### Temperature

T-Ambient (Max)	45 °C
T-Ambient (Min)	-20 °C
T-Storage (Max)	65 °C
T-Storage (Min)	-40 °C

### Approval and Application

Order Code	Full Product Name	Energy Consumption kWh/	
		1000 h	Energy Efficiency Label (EEL)
929001175104	16.5T8 LED/48-4000 20/1 DC Driver	21 kWh	A+
929001845663	14T8/COR/48-840/MF18/G 1/4 FFP	-	-
929001845763	14T8/COR/48-850/MF18/G 1/4 FFP	-	-
929001960604	16T8/LED/48-840/IF18/G 25/1	-	-
929001960704	16T8/LED/48-850/IF18/G 25/1	-	-
929001965904	16T8/LED/48-840/UF18/G 10/1	-	-
929001966004	16T8/LED/48-850/UF18/G 10/1	-	-
929001997603	16T8/LED/48-840/MF18/G/Clear 1/4 FFP	-	-
929001997703	16T8/LED/48-850/MF18/G/Clear 1/4 FFP	-	-

## Controls and Dimming

Order Code	Full Product Name	Dimmable
929001175104	16.5T8 LED/48-4000 20/1 DC Driver	Yes
929001845663	14T8/COR/48-840/MF18/G 1/4 FFP	No
929001845763	14T8/COR/48-850/MF18/G 1/4 FFP	No
929001960604	16T8/LED/48-840/IF18/G 25/1	No
929001960704	16T8/LED/48-850/IF18/G 25/1	No

Order Code	Full Product Name	Dimmable
929001965904	16T8/LED/48-840/UF18/G 10/1	No
929001966004	16T8/LED/48-850/UF18/G 10/1	No
929001997603	16T8/LED/48-840/MF18/G/Clear 1/4 FFP	No
929001997703	16T8/LED/48-850/MF18/G/Clear 1/4 FFP	No

## Operating and Electrical

Order Code	Full Product Name	Input Frequency	Voltage (Nom)	Power (Rated)
929001175104	16.5T8 LED/48-4000 20/1 DC Driver	50 to 60 Hz	25-27 V	16.5 W
929001845663	14T8/COR/48-840/MF18/G 1/4 FFP	50 to 60 Hz	120-277 V	14 W
929001845763	14T8/COR/48-850/MF18/G 1/4 FFP	50 to 60 Hz	120-277 V	14 W

Order Code	Full Product Name	Input Frequency	Voltage (Nom)	Power (Rated)
929001960604	16T8/LED/48-840/IF18/G 25/1	20K to 120K Hz	120-277, 347 V	16 W
929001960704	16T8/LED/48-850/IF18/G 25/1	20K to 120K Hz	120-277, 347 V	16 W
929001965904	16T8/LED/48-840/UF18/G 10/1	50-120000 Hz	40-330 V	16 W

## LED InstantFit Lamps

Order Code	Full Product Name	Input Frequency	Voltage (Nom)	Power (Rated) (Nom)
929001966004	16T8/LED/48-850/UF18/G 10/1	50-120000 Hz	40-330 V	16 W
929001997603	16T8/LED/48-840/MF18/G/Clear 1/4 FFP	50 to 60 Hz	120-277 V	16 W

Order Code	Full Product Name	Input Frequency	Voltage (Nom)	Power (Rated) (Nom)
929001997703	16T8/LED/48-850/MF18/G/Clear 1/4 FFP	50 to 60 Hz	120-277 V	16 W

### General Information

Order Code	Full Product Name	Nominal Lifetime (Nom)	Rated Lifetime (Hours)
929001175104	16.5T8 LED/48-4000 20/1 DC Driver	50000 h	50000 h
929001845663	14T8/COR/48-840/MF18/G 1/4 FFP	36000 h	36000 h
929001845763	14T8/COR/48-850/MF18/G 1/4 FFP	36000 h	36000 h
929001960604	16T8/LED/48-840/IF18/G 25/1	36000 h	36000 h

Order Code	Full Product Name	Nominal Lifetime (Nom)	Rated Lifetime (Hours)
929001960704	16T8/LED/48-850/IF18/G 25/1	36000 h	36000 h
929001965904	16T8/LED/48-840/UF18/G 10/1	36000 h	36000 h
929001966004	16T8/LED/48-850/UF18/G 10/1	36000 h	36000 h
929001997603	16T8/LED/48-840/MF18/G/Clear 1/4 FFP	36000 h	36000 h
929001997703	16T8/LED/48-850/MF18/G/Clear 1/4 FFP	36000 h	36000 h

### Light Technical (1/2)

Order Code	Full Product Name	Beam Angle (Nom)	Correlated		
			Color Code	Color Temperature (Nom)	Color Rendering Index (Nom)
929001175104	16.5T8 LED/48-4000 20/1 DC Driver	160 °	840	4000 K	82
929001845663	14T8/COR/48-840/MF18/G 1/4 FFP	240 °	840	4000 K	80
929001845763	14T8/COR/48-850/MF18/G 1/4 FFP	240 °	850	5000 K	80
929001960604	16T8/LED/48-840/IF18/G 25/1	-	840	4000 K	80
929001960704	16T8/LED/48-850/IF18/G 25/1	-	850	5000 K	80

Order Code	Full Product Name	Beam Angle (Nom)	Correlated		
			Color Code	Color Temperature (Nom)	Color Rendering Index (Nom)
929001965904	16T8/LED/48-840/UF18/G 10/1	240 °	840	4000 K	80
929001966004	16T8/LED/48-850/UF18/G 10/1	240 °	850	5000 K	80
929001997603	16T8/LED/48-840/MF18/G/Clear 1/4 FFP	240 °	840	4000 K	80
929001997703	16T8/LED/48-850/MF18/G/Clear 1/4 FFP	240 °	850	5000 K	80

### Light Technical (2/2)

Order Code	Full Product Name	Luminous Flux (Nom)	Luminous Flux (Rated)	Rated
				Beam Angle
929001175104	16.5T8 LED/48-4000 20/1 DC Driver	2100 lm	2100 lm	160 °
929001845663	14T8/COR/48-840/MF18/G 1/4 FFP	1800 lm	1800 lm	240 °
929001845763	14T8/COR/48-850/MF18/G 1/4 FFP	1800 lm	1800 lm	240 °

Order Code	Full Product Name	Luminous Flux (Nom)	Luminous Flux (Rated)	Rated
				Beam Angle
929001960604	16T8/LED/48-840/IF18/G 25/1	1800 lm	1800 lm	-
929001960704	16T8/LED/48-850/IF18/G 25/1	1800 lm	1800 lm	-
929001965904	16T8/LED/48-840/UF18/G 10/1	1800 lm	1800 lm	240 °

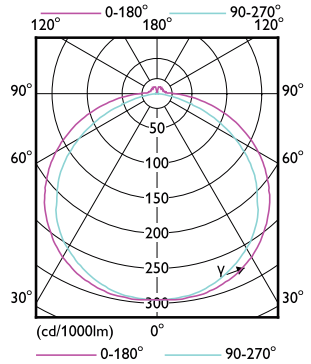
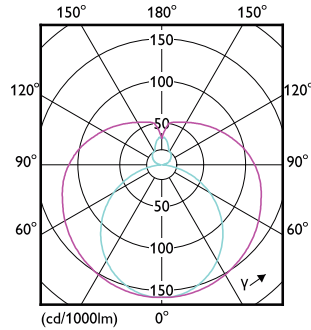
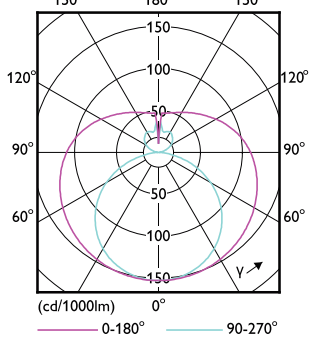
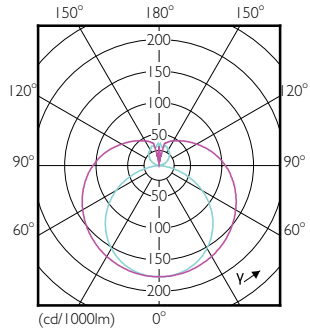
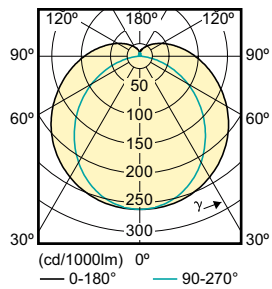
# LED InstantFit Lamps

Order Code	Full Product Name	Luminous Flux (Nom)	Luminous Flux (Rated)	Rated Beam Angle
929001966004	16T8/LED/48-850/UF18/G 10/1	1800 lm	1800 lm	240 °
929001997603	16T8/LED/48-840/MF18/G/Clear 1/4 FFP	1800 lm	1800 lm	240 °

Order Code	Full Product Name	Luminous Flux (Nom)	Luminous Flux (Rated)	Rated Beam Angle
929001997703	16T8/LED/48-850/MF18/G/Clear 1/4 FFP	1800 lm	1800 lm	240 °

## Temperature

Order Code	Full Product Name	T-Case Maximum (Nom)
929001175104	16.5T8 LED/48-4000 20/1 DC Driver	45 °C
929001845663	14T8/COR/48-840/MF18/G 1/4 FFP	70 °C
929001845763	14T8/COR/48-850/MF18/G 1/4 FFP	70 °C
929001960604	16T8/LED/48-840/IF18/G 25/1	35 °C
929001960704	16T8/LED/48-850/IF18/G 25/1	35 °C
929001965904	16T8/LED/48-840/UF18/G 10/1	60 °C
929001966004	16T8/LED/48-850/UF18/G 10/1	60 °C
929001997603	16T8/LED/48-840/MF18/G/Clear 1/4 FFP	70 °C
929001997703	16T8/LED/48-850/MF18/G/Clear 1/4 FFP	70 °C



## LED InstantFit Lamps

