



TBS318

TBS318

The TBS318 recessed luminaire offers the ideal combination of stylish design and optimum performance for both task and general lighting. It is available for TLD fluorescent lamps and a wide range of optics and plates. This versatile luminaire fits into standard, modular visible profile ceilings as well as concealed profile ceilings with the right choice of accessories. TBS318's housing is designed with air-slots offering you enhanced user comfort via better heat management. All of which makes the luminaire suitable for many interior lighting applications, from open plan offices to shops to public spaces.

Features

- Suitable for exposed T-Bar ceilings
- Wide range of attachments and mirrors to prevent discomfort glare while achieving high light output
- TBS318's optics are made with high quality pre-anodized aluminum to ensure durability and reliability
- TBS318 offer better heat management thanks to its strengthened housing that comes specially designed with air-slots

Application

- General offices
- Reception areas
- Service areas
- Departmental stores
- Schools
- Hospitals

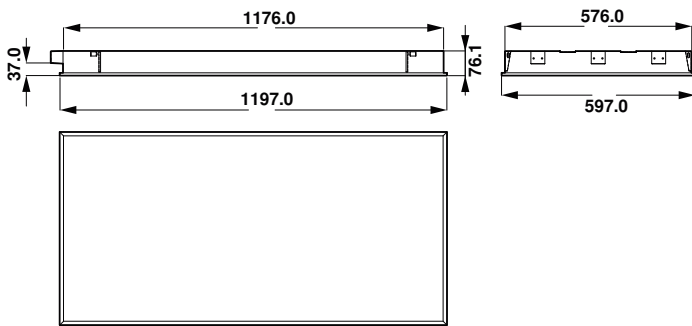
TBS318

Versions

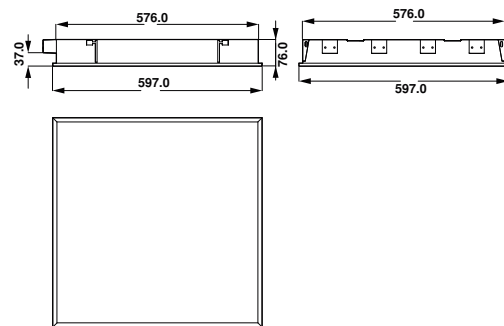


TBS318 recessed luminaire

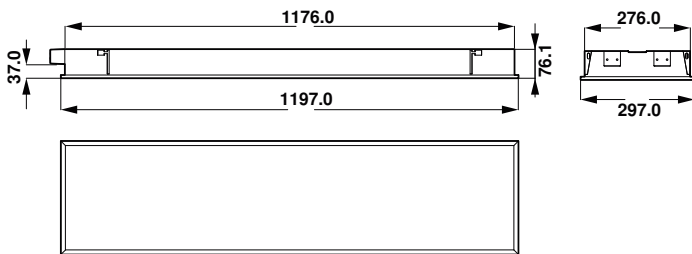
Dimensional drawing



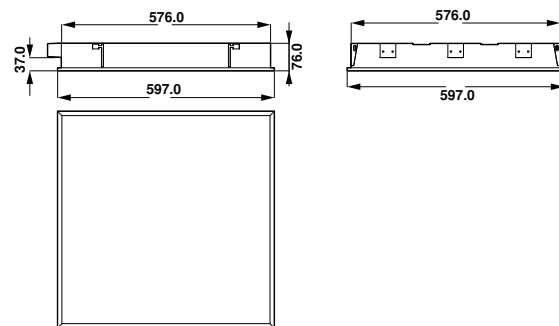
TBS318 C



TBS318 C



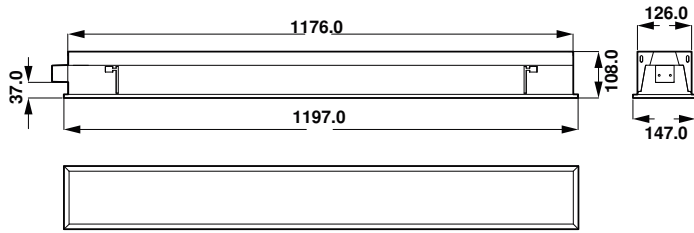
TBS318 C



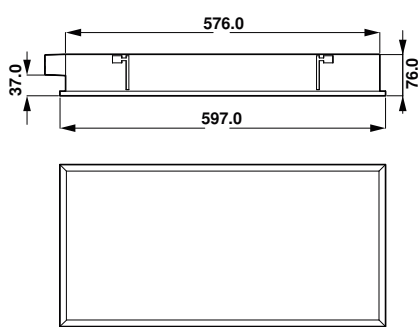
TBS318 C

TBS318

Dimensional drawing

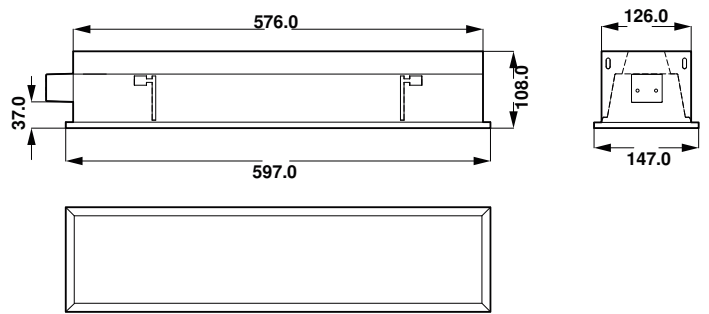


TBS318 C



TBS318 C

TBS318 C



TBS318 C

Approval and Application

Ingress protection code IP20

General Information

Lamp family code TL-D

General Information

order code	Compensation circuit	Optical cover/lens type	Gear	Lamp power	Number of light sources	Optic type	Product Family Code
911400694480	-	P	EBE	18	3	No	TBS318
911400694580	-	O	EBE	18	3	No	TBS318
911400694680	-	No	EBE	18	3	C2	TBS318
911400694780	-	No	EBE	18	3	M2	-
911400694880	-	No	EBE	36	3	C2	TBS318
911400694980	-	P	EBE	36	3	No	-
911400695080	-	No	EBE	18	4	M2	TBS318
911400695180	-	No	EBE	18	1	C2	TBS318
911400695280	-	No	EBE	18	1	M2	-
911400695380	-	P	EBE	18	1	No	TBS318
911400695480	-	O	EBE	18	1	No	TBS318
911400695580	-	O	EBE	36	3	No	TBS318
911400695680	-	No	EBE	36	3	M2	-
911400695780	-	P	EBE	18	4	No	TBS318
911400695880	-	O	EBE	18	4	No	TBS318
911400695980	-	No	EBE	18	4	C2	TBS318

order code	Compensation circuit	Optical cover/lens type	Gear	Lamp power	Number of light sources	Optic type	Product Family Code
911400696280	-	No	EBE	18	2	C2	TBS318
911400696480	-	No	EBE	36	1	C2	TBS318
911400696680	-	No	EBE	36	2	C2	TBS318
911400696980	-	No	EBE	18	2	M2	TBS318
911400697080	-	P	EBE	18	2	No	TBS318
911400697180	-	O	EBE	18	2	No	TBS318
911400697380	-	No	EBE	36	1	M2	TBS318
911400697480	-	P	EBE	36	1	No	-
911400697580	-	O	EBE	36	1	No	-
911400697780	-	No	EBE	36	2	M2	TBS318
911400697880	-	P	EBE	36	2	No	TBS318
911400697980	-	O	EBE	36	2	No	TBS318
911400698180	-	No	EBE	36	4	C2	TBS318
911400698280	-	No	EBE	36	4	M2	-
911400698380	-	P	EBE	36	4	No	-
911400698480	-	O	EBE	36	4	No	TBS318
911400698880	-	No	HFE	36	2	M5	TBS318
911400698980	-	P	HFE	36	2	No	TBS318
911400961580	Inductive parallel compensated	No	CONV	18	3	C2	TBS318
911400961780	Inductive parallel compensated	No	CONV	18	4	C2	TBS318
911400962280	Inductive parallel compensated	No	CONV	36	2	C2	TBS318
911400962580	Inductive parallel compensated	No	CONV	36	3	C2	TBS318
911400964780	Inductive parallel compensated	No	CONV	18	4	M2	TBS318
911400964880	Inductive parallel compensated	P	CONV	18	4	No	TBS318
911400966280	Inductive parallel compensated	P	CONV	36	2	No	TBS318
911400967280	-	O	HFE	36	3	No	TBS318
911400968380	Inductive parallel compensated	No	CONV	18	2	C2	TBS318

