



# TMS011

## TMS011

An indoor luminaire in single and twin fluorescent lamp versions for general lighting. The range is available with TLD 18W, 36W or 58W lamps for surface-mounted applications. The luminaires can be suspended or direct ceiling mounted. A range of attractive attachments is also available.

### Features

- A high quality luminaire with enhanced safety
- Easy installation and maintenance
- Philips ballast is pre-wired inside the luminaire
- The starter is also provided

### Application

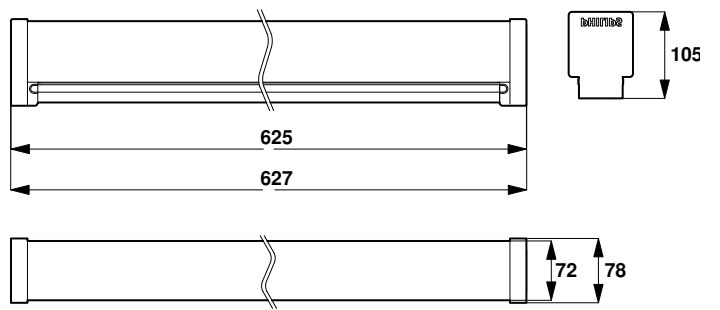
- Discount stores
- Hyper- and supermarkets
- DIY stores
- Convenient stores
- Coves
- Home lighting
- General industries

# TMS011

## Dimensional drawing

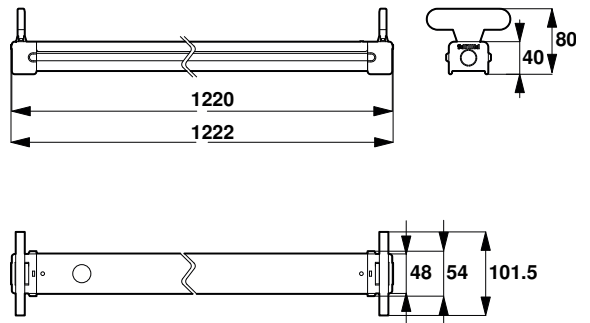
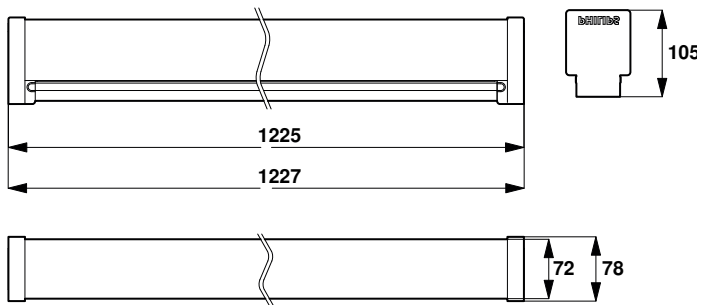
TMS011

TMS011



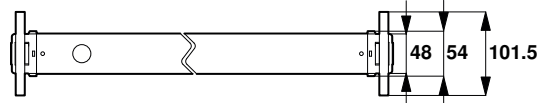
TMS011

TMS011



TMS011

TMS011



TMS011

## General Information

Protection class IEC	Safety class I (I)
Lamp family code	TL-D
Product Family Code	TMS011

## Approval and Application

order code	Ingress protection code
911400857180	IP20
911400857280	IP20
911400857480	-
911400857580	-
911400857680	IP20
911400857780	IP20
911400857980	-
911400858080	IP20

order code	Ingress protection code
911400858180	-
911400858280	IP20
911400858380	-
911400858580	-
911400859680	IP20
911400860180	IP20
911400860480	IP20
911400860580	-

## Operating and Electrical

order code	Input Voltage
911400857180	220
911400857280	-
911400857480	-
911400857580	-
911400857680	220
911400857780	-
911400857980	-
911400858080	-

order code	Input Voltage
911400858180	-
911400858280	-
911400858380	-
911400858580	-
911400859680	-
911400860180	-
911400860480	-
911400860580	-

## General Information

order code	Compensation circuit	Optical cover/lens type	Gear	Lamp power	Number of light sources	Optic type
911400857180	-	No	-	36	1	No
911400857280	Inductive	No	CONV	36	2	No
911400857480	Inductive parallel compensated	No	CONV	36	1	No
911400857580	Inductive parallel compensated	No	CONV	36	2	No
911400857680	-	No	-	18	1	No
911400857780	Inductive	No	CONV	18	2	No
911400857980	Inductive parallel compensated	No	CONV	18	2	No
911400858080	Inductive	No	CONV	36	1	R
911400858180	Inductive parallel compensated	No	CONV	36	1	R
911400858280	Inductive	No	CONV	36	2	R
911400858380	Inductive parallel compensated	No	CONV	36	2	R
911400858580	Inductive parallel compensated	No	CONV	18	1	R
911400859680	Inductive	No	CONV	58	2	R
911400860180	Inductive	P	CONV	18	1	A
911400860480	Inductive	P	CONV	36	1	A
911400860580	Inductive parallel compensated	P	CONV	36	1	A

