



As easy as 1, 2, 3

Mark 10 Powerline

For companies looking to make their fixed-output linear T8, 4-pin CFL, and T5/HO fluorescent systems more cost effective and sustainable, Mark 10 Powerline ballasts provide an easy solution without the need for additional control leads. Simply, (1) replace the ballast, (2) replace the switch, (3) dim the lights, that is all it takes. It's that easy to bring the convenience and flexibility of fluorescent dimming to conference rooms, private offices, auditoriums, architectural cove lighting – anywhere dimming is required.

Benefits

- Compatible with controls from numerous manufacturers without using separate control leads - Powerline dimming interface
- Ideal for frequent switching applications such as occupancy sensors and daylight harvesting - Programmed start operation

Features

- Available in linear fluorescent and 4-pin compact fluorescent models
- Full range continuous dimming (100% light output down to 5% - T5HO to 1%)

Application

- Conference rooms, private offices, auditoriums, architectural cove, auditoriums, educational facilities, hotels, restaurants, and department stores

Mark 10 Powerline

Versions



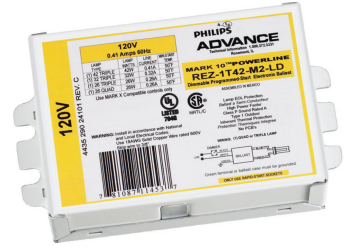
REZ15435M



REZ255435M



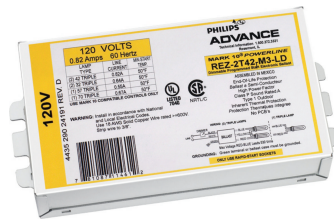
VEZ15435M



REZ1T42M2LD35M



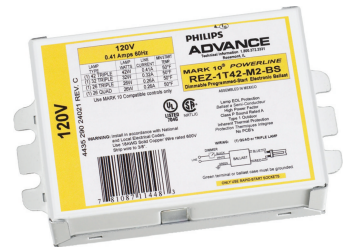
VEZ1T42M2LD35M



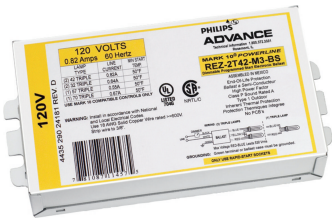
REZ2T42M3LD35M



REZ2S32SC35M



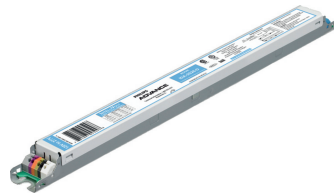
REZ1T42M2BS35M



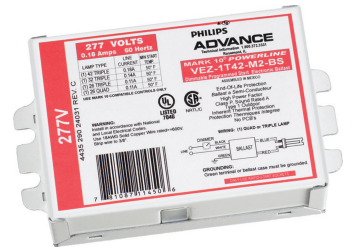
REZ2T42M3BS35M



VEZ2S32SC35M



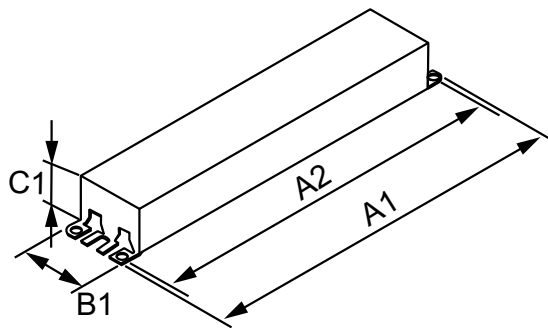
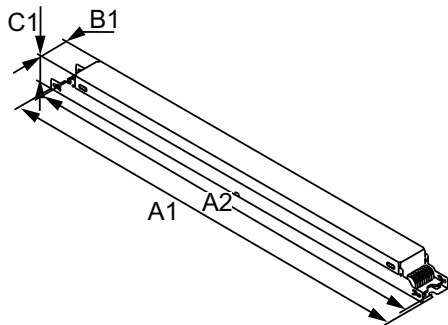
IEZ124D35M



VEZ1T42M2BS35M

Mark 10 Powerline

Dimensional drawing

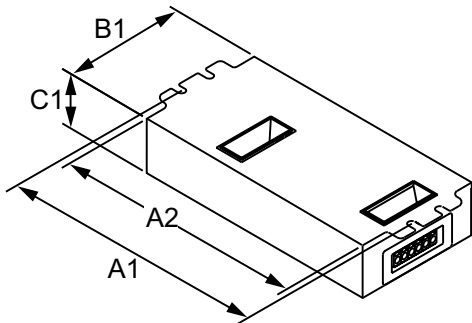
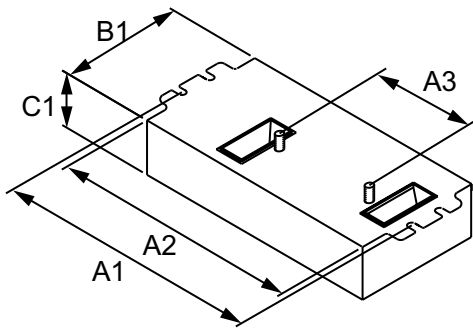
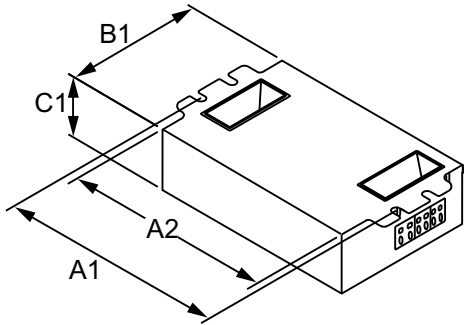


Product	A1	A2	B1	C1
MARK 10 POWERLINE ELE DIMMING BALLAST (2) F54T5/HO 277V	16.70 in	16.34 in	1.18 in	1.00 in
MARK 10 POWERLINE ELE DIMMING BALLAST (1) F54T5/HO 120V	16.70 in	16.34 in	1.18 in	1.00 in
MARK 10 POWERLINE ELE DIMMING BALLAST (2) F24T5HO 120-277V	16.70 in	16.34 in	1.18 in	1.00 in
MARK 10 POWERLINE ELE DIMMING BALLAST (2) F28T5 120-277V	16.7 in	1.18 in	1.0 in	
MARK 10 POWERLINE ELE DIMMING BALLAST (1) F28T5 120-277V	16.7 in	1.18 in	1.0 in	
MARK 10 POWERLINE ELE DIMMING BALLAST (1) F54T5/HO 277V	16.70 in	16.34 in	1.18 in	1.00 in
MARK 10 POWERLINE ELE DIMMING BALLAST (2) F54T5/HO 120V	16.70 in	16.34 in	1.18 in	1.00 in

Product	A1	A2	B1	C1
MARK 10 POWERLINE ELE DIM BALLAST (2) 40W CFL (4-PIN) 277V	9.5 in	8.90 in	1.7 in	1.18 in
MARK 10 POWERLINE ELE DIM BALLAST (2) 40W CFL (4-PIN) 120V	9.5 in	8.90 in	1.7 in	1.18 in
MARK 10 POWERLINE ELE DIMMING BALLAST (3) F32T8 277V	9.5 in	8.90 in	1.7 in	1.18 in
MARK 10 POWERLINE ELE DIMMING BALLAST (2) F32T8 277V	9.5 in	8.90 in	1.7 in	1.18 in
MARK 10 POWERLINE ELE DIMMING BALLAST (1) F32T8 277V	9.5 in	8.90 in	1.7 in	1.18 in
MARK 10 POWERLINE ELE DIMMING BALLAST (3) F32T8 120V	9.5 in	8.90 in	1.7 in	1.18 in
MARK 10 POWERLINE ELE DIMMING BALLAST (2) F32T8 120V	9.5 in	8.90 in	1.7 in	1.18 in
MARK 10 POWERLINE ELE DIM BALLAST (1) 40W CFL (4-PIN) 120V	9.5 in	8.90 in	1.7 in	1.18 in
MARK 10 POWERLINE ELE DIMMING BALLAST (1) F32T8 120V	9.5 in	8.90 in	1.7 in	1.18 in
MARK 10 POWERLINE ELE DIMMING BALLAST (1) F32T8 120V	9.5 in	8.90 in	1.7 in	1.18 in
MARK 10 POWERLINE ELE DIMMING BALLAST (1) F32T8 277V	9.5 in	8.90 in	1.7 in	1.18 in
MARK 10 POWERLINE ELE DIMMING BALLAST (3) F32T8 277V	9.5 in	8.90 in	1.7 in	1.18 in
MARK 10 POWERLINE ELE DIMMING BALLAST (2) F32T8 277V	9.5 in	8.90 in	1.7 in	1.18 in
MARK 10 POWERLINE ELE DIMMING BALLAST (3) F32T8 120V	9.5 in	8.90 in	1.7 in	1.18 in
MARK 10 POWERLINE ELE DIMMING BALLAST (2) F32T8 120V	9.5 in	8.90 in	1.7 in	1.18 in

Mark 10 Powerline

Dimensional drawing



Product	A1	A2	B1	C1
MARK 10 POWERLINE ELE DIM BAL (2) 26W CFL (4-PIN) 277V KIT	4.55 in	4.20 in	3.00 in	1.29 in
MARK 10 POWERLINE ELE DIM BAL (1) 42W CFL (4-PIN) 277V KIT	4.55 in	4.20 in	3.00 in	1.29 in
MARK 10 POWERLINE ELE DIM BALLAST (2) 18W CFL (4-PIN) 120V	4.55 in	4.20 in	3.00 in	1.29 in
MARK 10 POWERLINE ELE DIM BALLAST (2) 26W CFL (4-PIN) 277V	4.55 in	4.20 in	3.00 in	1.29 in
MARK 10 POWERLINE ELE DIM BAL (2) 26W CFL (4-PIN) 120V KIT	4.55 in	4.20 in	3.00 in	1.29 in
MARK 10 POWERLINE ELE DIM BALLAST (2) 26W CFL (4-PIN) 120V	4.55 in	4.20 in	3.00 in	1.29 in
MARK 10 POWERLINE ELE DIM BALLAST (1) 42W CFL (4-PIN) 277V	4.55 in	4.20 in	3.00 in	1.29 in
MARK 10 POWERLINE ELE DIM BALLAST (1) 42W CFL (4-PIN) 120V	4.55 in	4.20 in	3.00 in	1.29 in
MARK 10 POWERLINE ELE DIM BAL (1) 42W CFL (4-PIN) 120V KIT	4.55 in	4.20 in	3.00 in	1.29 in

Product	A1	A2	A3	B1	C1
MARK 10 POWERLINE ELE DIM BALLAST (1) 42W CFL (4-PIN) 277V	4.55 in	4.20 in	2.00 in	3.00 in	1.29 in
MARK 10 POWERLINE ELE DIM BALLAST (2) 42W CFL (4-PIN) 120V	6.0 in	5.5 in	2.00 in	3.00 in	1.29 in
MARK 10 POWERLINE ELE DIM BALLAST (2) 26W CFL (4-PIN) 120V	4.55 in	4.20 in	2.00 in	3.00 in	1.29 in
MARK 10 POWERLINE ELE DIM BALLAST (1) 42W CFL (4-PIN) 120V	4.55 in	4.20 in	2.00 in	3.00 in	1.29 in

Product	A1	A2	B1	C1
MARK 10 POWERLINE ELE DIM BALLAST (2) 42W CFL (4-PIN) 120V	6.0 in	5.5 in	3.00 in	1.29 in

Operating and Electrical

Total Harmonic Distortion USA 10 %

Operating and Electrical

Mark 10 Powerline

Order Code	Full Product Name	Input Frequency	Input Voltage
REZ15435M	MARK 10 POWERLINE ELE DIMMING BALLAST (1) F54T5/HO 120V	60 Hz	120 V
REZ255435M	MARK 10 POWERLINE ELE DIMMING BALLAST (2) F54T5/HO 120V	60 Hz	120 V
VEZ15435M	MARK 10 POWERLINE ELE DIMMING BALLAST (1) F54T5/HO 277V	60 Hz	277 V
VEZ255435M	MARK 10 POWERLINE ELE DIMMING BALLAST (2) F54T5/HO 277V	60 Hz	277 V
REZ1T42M2LD35M	MARK 10 POWERLINE ELE DIM BALLAST (1) 42W CFL (4-PIN) 120V	60 Hz	120 V
REZ2Q26M2LD35M	MARK 10 POWERLINE ELE DIM BALLAST (2) 26W CFL (4-PIN) 120V	60 Hz	120 V
REZ2Q26M2LDK	MARK 10 POWERLINE ELE DIM BAL (2) 26W CFL (4-PIN) 120V KIT	60 Hz	120 V
REZ2Q18M2LD35M	MARK 10 POWERLINE ELE DIM BALLAST (2) 18W CFL (4-PIN) 120V	60 Hz	120 V
VEZ1T42M2LD35M	MARK 10 POWERLINE ELE DIM BALLAST (1) 42W CFL (4-PIN) 277V	60 Hz	277 V
VEZ2Q26M2LD35M	MARK 10 POWERLINE ELE DIM BALLAST (2) 26W CFL (4-PIN) 277V	60 Hz	277 V
VEZ1T42M2LDK	MARK 10 POWERLINE ELE DIM BAL (1) 42W CFL (4-PIN) 277V KIT	60 Hz	277 V
VEZ2Q26M2LDK	MARK 10 POWERLINE ELE DIM BAL (2) 26W CFL (4-PIN) 277V KIT	60 Hz	277 V
REZ2T42M3LD35M	MARK 10 POWERLINE ELE DIM BALLAST (2) 42W CFL (4-PIN) 120V	60 Hz	120 V
REZ2S32SC35M	MARK 10 POWERLINE ELE DIMMING BALLAST (2) F32T8 120V	60 Hz	120 V
REZ3S32SC35M	MARK 10 POWERLINE ELE DIMMING BALLAST (3) F32T8 120V	60 Hz	120 V
REZ132SC35M	MARK 10 POWERLINE ELE DIMMING BALLAST (1) F32T8 120V	60 Hz	120 V
REZ132SC35I	MARK 10 POWERLINE ELE DIMMING BALLAST (1) F32T8 120V	60 Hz	120 V
REZ1TTS40SC35M	MARK 10 POWERLINE ELE DIM BALLAST (1) 40W CFL (4-PIN) 120V	60 Hz	120 V

Order Code	Full Product Name	Input Frequency	Input Voltage
REZ2S32SC35I	MARK 10 POWERLINE ELE DIMMING BALLAST (2) F32T8 120V	60 Hz	120 V
REZ3S32SC35I	MARK 10 POWERLINE ELE DIMMING BALLAST (3) F32T8 120V	60 Hz	120 V
REZ2TTS40SC35M	MARK 10 POWERLINE ELE DIM BALLAST (2) 40W CFL (4-PIN) 120V	60 Hz	120 V
REZ1T42M2BS35M	MARK 10 POWERLINE ELE DIM BALLAST (1) 42W CFL (4-PIN) 120V	60 Hz	120 V
REZ2Q26M2BS35M	MARK 10 POWERLINE ELE DIM BALLAST (2) 26W CFL (4-PIN) 120V	60 Hz	120 V
REZ1T42M2LDK	MARK 10 POWERLINE ELE DIM BAL (1) 42W CFL (4-PIN) 120V KIT	60 Hz	120 V
REZ2T42M3BS35M	MARK 10 POWERLINE ELE DIM BALLAST (2) 42W CFL (4-PIN) 120V	60 Hz	120 V
VEZ2S32SC35M	MARK 10 POWERLINE ELE DIMMING BALLAST (2) F32T8 277V	60 Hz	277 V
VEZ3S32SC35M	MARK 10 POWERLINE ELE DIMMING BALLAST (3) F32T8 277V	60 Hz	277 V
VEZ132SC35M	MARK 10 POWERLINE ELE DIMMING BALLAST (1) F32T8 277V	60 Hz	277 V
VEZ132SC35I	MARK 10 POWERLINE ELE DIMMING BALLAST (1) F32T8 277V	60 Hz	277 V
VEZ2S32SC35I	MARK 10 POWERLINE ELE DIMMING BALLAST (2) F32T8 277V	60 Hz	277 V
VEZ3S32SC35I	MARK 10 POWERLINE ELE DIMMING BALLAST (3) F32T8 277V	60 Hz	277 V
VEZ2TTS40SC35M	MARK 10 POWERLINE ELE DIM BALLAST (2) 40W CFL (4-PIN) 277V	60 Hz	277 V
IEZ128D35M	MARK 10 POWERLINE ELE DIMMING BALLAST (1) F28T5 120-277V	50 to 60 Hz	120 to 277 V
IEZ2S28D35M	MARK 10 POWERLINE ELE DIMMING BALLAST (2) F28T5 120-277V	50 to 60 Hz	120 to 277 V
IEZ2S24D35M	MARK 10 POWERLINE ELE DIMMING BALLAST (2) F24T5HO 120-277V	50 to 60 Hz	120 to 277 V
VEZ1T42M2BS35M	MARK 10 POWERLINE ELE DIM BALLAST (1) 42W CFL (4-PIN) 277V	60 Hz	277 V

General Information

Order Code	Full Product Name	Number Of Lamps	Lamp Type
REZ15435M	MARK 10 POWERLINE ELE DIMMING BALLAST (1) F54T5/HO 120V	1 piece/unit	F54T5/HO
REZ255435M	MARK 10 POWERLINE ELE DIMMING BALLAST (2) F54T5/HO 120V	2 piece/unit	F54T5/HO

Order Code	Full Product Name	Number Of Lamps	Lamp Type
VEZ15435M	MARK 10 POWERLINE ELE DIMMING BALLAST (1) F54T5/HO 277V	1 piece/unit	F54T5/HO
VEZ255435M	MARK 10 POWERLINE ELE DIMMING BALLAST (2) F54T5/HO 277V	2 piece/unit	F54T5/HO

Mark 10 Powerline

Order Code	Full Product Name	Number Of	
		Lamps	Lamp Type
REZ1T42M2LD35M	MARK 10 POWERLINE ELE DIM BALLAST (1) 42W CFL (4-PIN) 120V	1 piece/unit	CFTR42W/ GX24Q
REZ2Q26M2LD35M	MARK 10 POWERLINE ELE DIM BALLAST (2) 26W CFL (4-PIN) 120V	2 piece/unit	CFQ26W/ G24Q
REZ2Q26M2LDK	MARK 10 POWERLINE ELE DIM BAL (2) 26W CFL (4-PIN) 120V KIT	2 piece/unit	CFQ26W/ G24Q
REZ2Q18M2LD35M	MARK 10 POWERLINE ELE DIM BALLAST (2) 18W CFL (4-PIN) 120V	2 piece/unit	CFQ18W/ G24Q
VEZ1T42M2LD35M	MARK 10 POWERLINE ELE DIM BALLAST (1) 42W CFL (4-PIN) 277V	1 piece/unit	CFTR42W/ GX24Q
VEZ2Q26M2LD35M	MARK 10 POWERLINE ELE DIM BALLAST (2) 26W CFL (4-PIN) 277V	2 piece/unit	CFQ26W/ G24Q
VEZ1T42M2LDK	MARK 10 POWERLINE ELE DIM BAL (1) 42W CFL (4-PIN) 277V KIT	1 piece/unit	CFTR42W/ GX24Q
VEZ2Q26M2LDK	MARK 10 POWERLINE ELE DIM BAL (2) 26W CFL (4-PIN) 277V KIT	2 piece/unit	CFQ26W/ G24Q
REZ2T42M3LD35M	MARK 10 POWERLINE ELE DIM BALLAST (2) 42W CFL (4-PIN) 120V	2 piece/unit	CFTR42W/ GX24Q
REZ2S32SC35M	MARK 10 POWERLINE ELE DIMMING BALLAST (2) F32T8 120V	2 piece/unit	F32T8
REZ3S32SC35M	MARK 10 POWERLINE ELE DIMMING BALLAST (3) F32T8 120V	3 piece/unit	F32T8
REZ132SC35M	MARK 10 POWERLINE ELE DIMMING BALLAST (1) F32T8 120V	1 piece/unit	F32T8
REZ132SC35I	MARK 10 POWERLINE ELE DIMMING BALLAST (1) F32T8 120V	1 piece/unit	F32T8
REZ1TTS40SC35M	MARK 10 POWERLINE ELE DIM BALLAST (1) 40W CFL (4-PIN) 120V	1 piece/unit	FT40W/2G11
REZ2S32SC35I	MARK 10 POWERLINE ELE DIMMING BALLAST (2) F32T8 120V	2 piece/unit	F32T8
REZ3S32SC35I	MARK 10 POWERLINE ELE DIMMING BALLAST (3) F32T8 120V	3 piece/unit	F32T8
REZ2TTS40SC35M	MARK 10 POWERLINE ELE DIM BALLAST (2) 40W CFL (4-PIN) 120V	2 piece/unit	FT40W/2G11

Order Code	Full Product Name	Number Of	
		Lamps	Lamp Type
REZ1T42M2BS35M	MARK 10 POWERLINE ELE DIM BALLAST (1) 42W CFL (4-PIN) 120V	1 piece/unit	CFTR42W/ GX24Q
REZ2Q26M2BS35M	MARK 10 POWERLINE ELE DIM BALLAST (2) 26W CFL (4-PIN) 120V	2 piece/unit	CFQ26W/ G24Q
REZ1T42M2LDK	MARK 10 POWERLINE ELE DIM BAL (1) 42W CFL (4-PIN) 120V KIT	1 piece/unit	CFTR42W/ GX24Q
REZ2T42M3BS35M	MARK 10 POWERLINE ELE DIM BALLAST (2) 42W CFL (4-PIN) 120V	2 piece/unit	CFTR42W/ GX24Q
VEZ2S32SC35M	MARK 10 POWERLINE ELE DIMMING BALLAST (2) F32T8 277V	2 piece/unit	F32T8
VEZ3S32SC35M	MARK 10 POWERLINE ELE DIMMING BALLAST (3) F32T8 277V	3 piece/unit	F32T8
VEZ132SC35M	MARK 10 POWERLINE ELE DIMMING BALLAST (1) F32T8 277V	1 piece/unit	F32T8
VEZ132SC35I	MARK 10 POWERLINE ELE DIMMING BALLAST (1) F32T8 277V	1 piece/unit	F32T8
VEZ2S32SC35I	MARK 10 POWERLINE ELE DIMMING BALLAST (2) F32T8 277V	2 piece/unit	F32T8
VEZ3S32SC35I	MARK 10 POWERLINE ELE DIMMING BALLAST (3) F32T8 277V	3 piece/unit	F32T8
VEZ2TTS40SC35M	MARK 10 POWERLINE ELE DIM BALLAST (2) 40W CFL (4-PIN) 277V	2 piece/unit	FT40W/2G11
IEZ128D35M	MARK 10 POWERLINE ELE DIMMING BALLAST (1) F28T5 120-277V	1 piece/unit	F28T5
IEZ2S28D35M	MARK 10 POWERLINE ELE DIMMING BALLAST (2) F28T5 120-277V	2 piece/unit	F28T5
IEZ2S24D35M	MARK 10 POWERLINE ELE DIMMING BALLAST (2) F24T5HO 120-277V	2 piece/unit	F24T5/HO
VEZ1T42M2BS35M	MARK 10 POWERLINE ELE DIM BALLAST (1) 42W CFL (4-PIN) 277V	1 piece/unit	CFTR42W/ GX24Q

Mechanical and Housing

Order Code	Full Product Name	Housing
REZ15435M	MARK 10 POWERLINE ELE DIMMING BALLAST (1) F54T5/HO 120V	D
REZ2S5435M	MARK 10 POWERLINE ELE DIMMING BALLAST (2) F54T5/HO 120V	D
VEZ15435M	MARK 10 POWERLINE ELE DIMMING BALLAST (1) F54T5/HO 277V	D
VEZ2S5435M	MARK 10 POWERLINE ELE DIMMING BALLAST (2) F54T5/HO 277V	D
REZ1T42M2LD35M	MARK 10 POWERLINE ELE DIM BALLAST (1) 42W CFL (4-PIN) 120V	M2
REZ2Q26M2LD35M	MARK 10 POWERLINE ELE DIM BALLAST (2) 26W CFL (4-PIN) 120V	M2

Order Code	Full Product Name	Housing
REZ2Q26M2LDK	MARK 10 POWERLINE ELE DIM BAL (2) 26W CFL (4-PIN) 120V KIT	M2
REZ2Q18M2LD35M	MARK 10 POWERLINE ELE DIM BALLAST (2) 18W CFL (4-PIN) 120V	M2
VEZ1T42M2LD35M	MARK 10 POWERLINE ELE DIM BALLAST (1) 42W CFL (4-PIN) 277V	M2
VEZ2Q26M2LD35M	MARK 10 POWERLINE ELE DIM BALLAST (2) 26W CFL (4-PIN) 277V	M2
VEZ1T42M2LDK	MARK 10 POWERLINE ELE DIM BAL (1) 42W CFL (4-PIN) 277V KIT	M2
VEZ2Q26M2LDK	MARK 10 POWERLINE ELE DIM BAL (2) 26W CFL (4-PIN) 277V KIT	M2

Mark 10 Powerline

Order Code	Full Product Name	Housing	Order Code	Full Product Name	Housing
REZ2T42M3LD35M	MARK 10 POWERLINE ELE DIM BALLAST (2) 42W CFL (4-PIN) 120V	M3	REZ2T42M3BS35M	MARK 10 POWERLINE ELE DIM BALLAST (2) 42W CFL (4-PIN) 120V	M3
REZ2S32SC35M	MARK 10 POWERLINE ELE DIMMING BALLAST (2) F32T8 120V	SC	VEZ2S32SC35M	MARK 10 POWERLINE ELE DIMMING BALLAST (2) F32T8 277V	SC
REZ3S32SC35M	MARK 10 POWERLINE ELE DIMMING BALLAST (3) F32T8 120V	SC	VEZ3S32SC35M	MARK 10 POWERLINE ELE DIMMING BALLAST (3) F32T8 277V	SC
REZ132SC35M	MARK 10 POWERLINE ELE DIMMING BALLAST (1) F32T8 120V	SC	VEZ132SC35M	MARK 10 POWERLINE ELE DIMMING BALLAST (1) F32T8 277V	SC
REZ132SC35I	MARK 10 POWERLINE ELE DIMMING BALLAST (1) F32T8 120V	SC	VEZ132SC35I	MARK 10 POWERLINE ELE DIMMING BALLAST (1) F32T8 277V	SC
REZ1TTS40SC35M	MARK 10 POWERLINE ELE DIM BALLAST (1) 40W CFL (4-PIN) 120V	SC	VEZ2S32SC35I	MARK 10 POWERLINE ELE DIMMING BALLAST (2) F32T8 277V	SC
REZ2S32SC35I	MARK 10 POWERLINE ELE DIMMING BALLAST (2) F32T8 120V	SC	VEZ3S32SC35I	MARK 10 POWERLINE ELE DIMMING BALLAST (3) F32T8 277V	SC
REZ3S32SC35I	MARK 10 POWERLINE ELE DIMMING BALLAST (3) F32T8 120V	SC	VEZ2TTS40SC35M	MARK 10 POWERLINE ELE DIM BALLAST (2) 40W CFL (4-PIN) 277V	SC
REZ2TTS40SC35M	MARK 10 POWERLINE ELE DIM BALLAST (2) 40W CFL (4-PIN) 120V	SC	IEZ128D35M	MARK 10 POWERLINE ELE DIMMING BALLAST (1) F28T5 120-277V	D
REZ1T42M2BS35M	MARK 10 POWERLINE ELE DIM BALLAST (1) 42W CFL (4-PIN) 120V	M2	IEZ2S28D35M	MARK 10 POWERLINE ELE DIMMING BALLAST (2) F28T5 120-277V	D
REZ2Q26M2BS35M	MARK 10 POWERLINE ELE DIM BALLAST (2) 26W CFL (4-PIN) 120V	M2	IEZ2S24D35M	MARK 10 POWERLINE ELE DIMMING BALLAST (2) F24T5HO 120-277V	D
REZ1T42M2LDK	MARK 10 POWERLINE ELE DIM BAL (1) 42W CFL (4-PIN) 120V KIT	M2	VEZ1T42M2BS35M	MARK 10 POWERLINE ELE DIM BALLAST (1) 42W CFL (4-PIN) 277V	M2

