



The right fit for your high-output applications

Centium T8HO

Centium T8 High Output Solution for Cold Environments

Benefits

- For use in cold environments
- Maximizes lamp life
- Higher Light Output
- Used with multiple lamp

Features

- -30° F starting capability
- Programmed Start
- 1.0 Ballast Factor
- 1 or 2 Lamp Operation"

Application

- Industrial, Cold Storage, Manufacturing

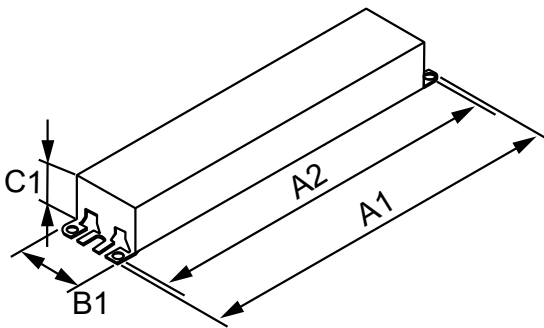
Centium T8HO

Versions



ICN2S86SC35I

Dimensional drawing



Product	A1	A2	B1	C1
CENTIUM ICN2S86SC35M	9.5 in	8.9 in	1.7 in	1.18 in
CENTIUM ICN2S86SC35I	9.5 in	8.9 in	1.7 in	1.18 in

