



The right choice for a broad range of new construction and retrofit applications

Centium T8 Instant Start

Reliable and energy efficient Philips Advance's Centium commercial grade specifications, plus added benefits of lamp striation reduction technology.

Benefits

- Compatible with Energy Saving lamps
- Eligible for Utility Rebates
- Maximizes fixture design
- Reduces packaging waste

Features

- IntelliVolt (120–277V) input voltage range
- Lamp Striation Reduction
- Meets NEMA Premium/CEE
- Smallest enclosure in industry

Application

- General office lighting, institutional, government, health care, school applications.

Centium T8 Instant Start

Versions

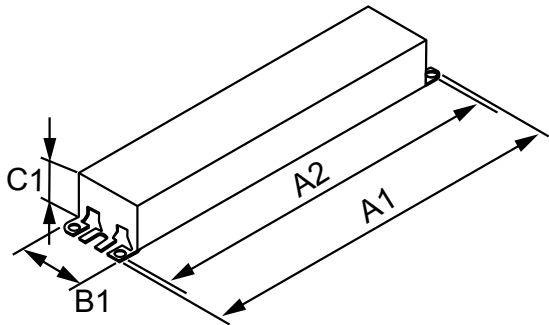
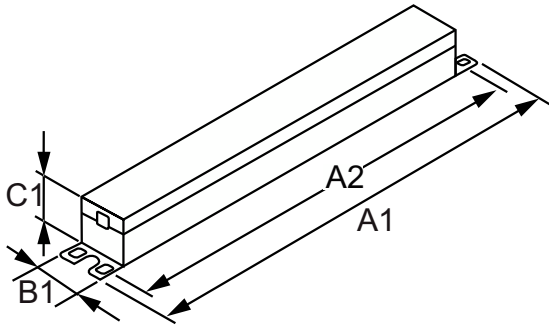


CENTIUM ELE BALLAST (3) F32T8
120-277V



CENTIUM ELE BALLAST (2) F32T8
120-277V

Dimensional drawing



Product

CENTIUM ELE BALLAST (1) F32T8 120-277V
CENTIUM ELE BALLAST (2) F32T8 120-277V
CENTIUM ELE BALLAST (2) F32T8 120-277V

Product

CENTIUM ELE BALLAST (4) F32T8 120-277V
CENTIUM ELE BALLAST (4) F32T8 120-277V
CENTIUM ELE BALLAST (1) F32T8 120-277V
CENTIUM ELE BALLAST (1) F32T8 120-277V
CENTIUM ELE BALLAST (3) F32T8 120-277V
CENTIUM ELE BALLAST (3) F32T8 120-277V
CENTIUM ELE BALLAST (2) F32T8 120-277V
CENTIUM ELE BALLAST (2) F32T8 120-277V

Operating and electrical

Input Frequency	50 to 60 Hz
Input Voltage	120 to 277 V
Total Harmonic Distortion USA	10 %

General information

Lamp Type	F32T8
-----------	-------

General information

Order Code	Full Product Name	Number Of Lamps
ICN3P32N35I	CENTIUM ELE BALLAST (3) F32T8 120-277V	2/3 piece/unit
ICN3P32N35M	CENTIUM ELE BALLAST (3) F32T8 120-277V	2/3 piece/unit
ICN4P32N35I	CENTIUM ELE BALLAST (4) F32T8 120-277V	3/4 piece/unit
ICN4P32N35M	CENTIUM ELE BALLAST (4) F32T8 120-277V	3/4 piece/unit
ICN2P32N35I	CENTIUM ELE BALLAST (2) F32T8 120-277V	1/2 piece/unit
ICN2P32N35M	CENTIUM ELE BALLAST (2) F32T8 120-277V	1/2 piece/unit

Order Code	Full Product Name	Number Of Lamps
ICN1P32N35I	CENTIUM ELE BALLAST (1) F32T8 120-277V	1 piece/unit
ICN1P32N35M	CENTIUM ELE BALLAST (1) F32T8 120-277V	1 piece/unit
ICN2M32MC35I	CENTIUM ELE BALLAST (2) F32T8 120-277V	2 piece/unit
ICN2M32MC35M	CENTIUM ELE BALLAST (2) F32T8 120-277V	2 piece/unit
ICN132MC35I	CENTIUM ELE BALLAST (1) F32T8 120-277V	1 piece/unit

Centium T8 Instant Start

Mechanical and housing

Order Code	Full Product Name	Housing
ICN3P32N35I	CENTIUM ELE BALLAST (3) F32T8 120-277V	N
ICN3P32N35M	CENTIUM ELE BALLAST (3) F32T8 120-277V	N
ICN4P32N35I	CENTIUM ELE BALLAST (4) F32T8 120-277V	N
ICN4P32N35M	CENTIUM ELE BALLAST (4) F32T8 120-277V	N
ICN2P32N35I	CENTIUM ELE BALLAST (2) F32T8 120-277V	N
ICN2P32N35M	CENTIUM ELE BALLAST (2) F32T8 120-277V	N

Order Code	Full Product Name	Housing
ICN1P32N35I	CENTIUM ELE BALLAST (1) F32T8 120-277V	N
ICN1P32N35M	CENTIUM ELE BALLAST (1) F32T8 120-277V	N
ICN2M32MC35I	CENTIUM ELE BALLAST (2) F32T8 120-277V	MC
ICN2M32MC35M	CENTIUM ELE BALLAST (2) F32T8 120-277V	MC
ICN132MC35I	CENTIUM ELE BALLAST (1) F32T8 120-277V	MC

