



# The right choice for a broad range of new construction and retrofit applications

## Centium T8 Instant Start

Reliable and energy efficient Philips Advance's Centium commercial grade specifications, plus added benefits of lamp striation reduction technology.

### Avantages

- Compatible with Energy Saving lamps
- Eligible for Utility Rebates
- Maximizes fixture design
- Reduces packaging waste

### Fonctions

- IntelliVolt (120–277V) input voltage range
- Lamp Striation Reduction
- Meets NEMA Premium/CEE
- Smallest enclosure in industry

### Application

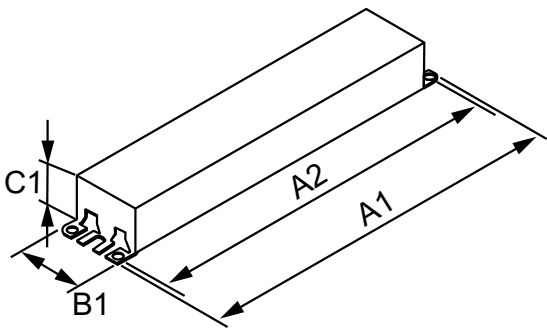
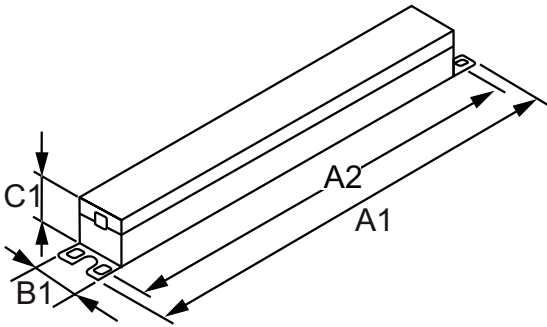
- General office lighting, institutional, government, health care, school applications.

# Centium T8 Instant Start

## Versions



## Schéma dimensionnel



### Product

CENTIUM ELE BALLAST (1) F32T8 120-277V

CENTIUM ELE BALLAST (2) F32T8 120-277V

### Product

CENTIUM ELE BALLAST (4) F32T8 120-277V

CENTIUM ELE BALLAST (4) F32T8 120-277V

CENTIUM ELE BALLAST (1) F32T8 120-277V

CENTIUM ELE BALLAST (1) F32T8 120-277V

CENTIUM ELE BALLAST (3) F32T8 120-277V

CENTIUM ELE BALLAST (3) F32T8 120-277V

CENTIUM ELE BALLAST (2) F32T8 120-277V

CENTIUM ELE BALLAST (2) F32T8 120-277V

### Fonctionnement et électricité

Fréquence d'entrée	50 à 60 Hz
Tension d'entrée	120 to 277 V
Distorsion harmonique totale États-Unis	10 %

### Renseignements généraux

Type de lampe	F32T8
---------------	-------

## Renseignements généraux

## Centium T8 Instant Start

Order Code	Full Product Name	Nombre de lampes
109108	CENTIUM ELE BALLAST (3) F32T8 120-277V	2/3 piece/unit
109116	CENTIUM ELE BALLAST (3) F32T8 120-277V	2/3 piece/unit
109132	CENTIUM ELE BALLAST (4) F32T8 120-277V	3/4 piece/unit
109140	CENTIUM ELE BALLAST (4) F32T8 120-277V	3/4 piece/unit
196865	CENTIUM ELE BALLAST (2) F32T8 120-277V	1/2 piece/unit

Order Code	Full Product Name	Nombre de lampes
196873	CENTIUM ELE BALLAST (2) F32T8 120-277V	1/2 piece/unit
199471	CENTIUM ELE BALLAST (1) F32T8 120-277V	1 piece/unit
197756	CENTIUM ELE BALLAST (1) F32T8 120-277V	1 piece/unit
118778	CENTIUM ELE BALLAST (2) F32T8 120-277V	2 piece/unit
118828	CENTIUM ELE BALLAST (1) F32T8 120-277V	1 piece/unit

### Mécanique et boîtier

Order Code	Full Product Name	Boîtier
109108	CENTIUM ELE BALLAST (3) F32T8 120-277V	N
109116	CENTIUM ELE BALLAST (3) F32T8 120-277V	N
109132	CENTIUM ELE BALLAST (4) F32T8 120-277V	N
109140	CENTIUM ELE BALLAST (4) F32T8 120-277V	N
196865	CENTIUM ELE BALLAST (2) F32T8 120-277V	N

Order Code	Full Product Name	Boîtier
196873	CENTIUM ELE BALLAST (2) F32T8 120-277V	N
199471	CENTIUM ELE BALLAST (1) F32T8 120-277V	N
197756	CENTIUM ELE BALLAST (1) F32T8 120-277V	N
118778	CENTIUM ELE BALLAST (2) F32T8 120-277V	MC
118828	CENTIUM ELE BALLAST (1) F32T8 120-277V	MC

