



The right fit for your high-output applications

Centium T12 Rapid Start

No matter what the conditions require, operating at a variety of line voltages between 120V to 480V, whether located in high ambient temperature environments (requiring a 90° C rating) or not, our family of Philips Advance Centium ballasts are ideal for a wide variety of applications.

Avantages

- IntelliVolt™ versions now available, 1/2-lamp operation of 4' 34/40W T12 lamps
- Improved efficiency over magnetic counterparts
- Lighter weight with the same mounting and wiring configuration

Fonctions

- IntelliVolt versions now available, 1/2-lamp operation of 4' 34/40W T12 lamps
- Improved efficiency over magnetic counterparts
- Lighter weight with the same mounting and wiring configuration

Application

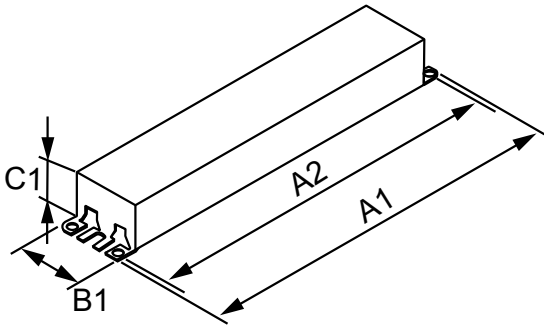
- Retail, commercial, institutional and industrial applications including: schools, offices, specialty & department stores, warehouses and manufacturing

Centium T12 Rapid Start

Versions



Schéma dimensionnel



Product	A1	A2	B1	C1
CENTIUM ICN2S40N35M	9,50 in	8,90 in	1,30 in	1,00 in

