



The smart choice for maximum flexibility

SmartMate

Offering maximum versatility, the Philips Advance family of SmartMate ballasts for 4-pin compact fluorescent lamps drive a broad range of quad and triple-tube, circline, 2D, and long twin-tube lamps. SmartMate ballasts' energy efficient design, compact and lightweight housing, and user-friendly features make these ballasts an ideal choice for fixture manufacturers, retrofitters, and MRO replacement.

Advantages

- Reduces SKU requirements and inventory costs
- Enhances wiring accuracy and ease of assembly/installation
- Eliminates interference with infrared systems, anti-theft devices, or other electronic equipment

Functions

- IntelliVolt (120-277V) input voltage range
- 1 or 2 Lamp operation
- Color-coded connectors
- Operates multiple lamp wattages

Application

- Restaurants, reception areas, conference and meeting rooms, hotel and convention center ballrooms, or when combined with CFL lamps, as an energy efficient replacement for incandescent down-lighting systems

Versions

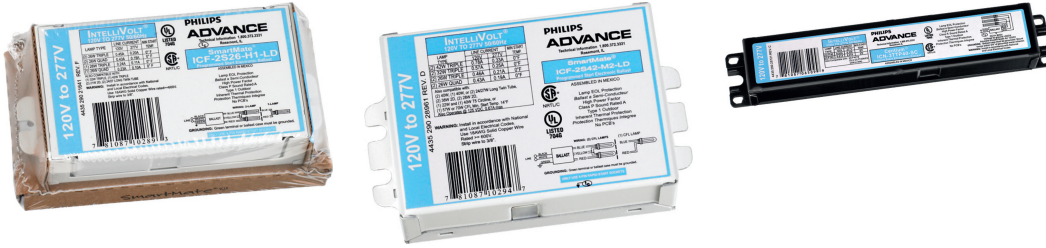
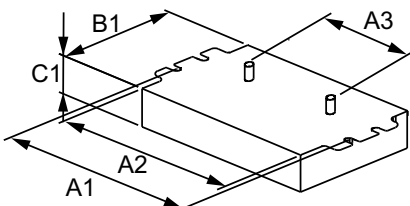
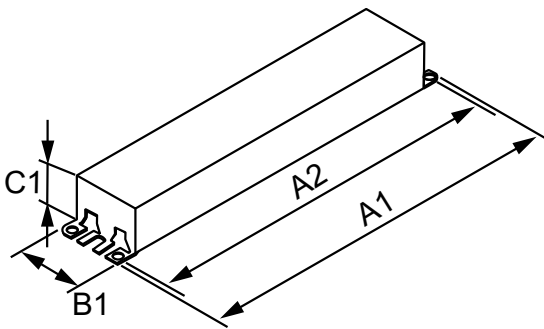
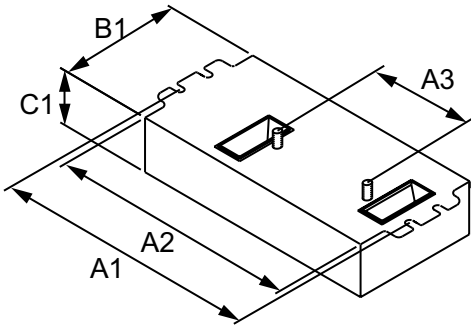


Schéma dimensionnel



Studs for -BS models only
-LD models do not have mounting studs

Product	A1	A2	A3	B1	C1
SMARTMATE ICF2S13H1LDK	4,60 in	4,20 in	2,00 in	3,00 in	1,29 in
SMARTMATE ICF2S26M1BSQS35M	4,60 in	4,20 in	2,00 in	2,40 in	0,98 in
SMARTMATE ICF2S13H1LD35M	4,60 in	4,20 in	2,00 in	2,40 in	0,98 in
SMARTMATE ICF2S26M1BS35M	4,60 in	4,20 in	2,00 in	2,40 in	0,98 in
SMARTMATE ICF2S13M1BS35M	4,60 in	4,20 in	2,00 in	2,40 in	0,98 in
SMARTMATE ICF2S26H1LD35M	4,60 in	4,20 in	2,00 in	2,40 in	0,98 in
SMARTMATE ICF2S26H1LDK	4,60 in	4,20 in	2,00 in	2,40 in	0,98 in
SMARTMATE ICF2S18H1LDK	4,60 in	4,20 in	2,00 in	3,00 in	1,29 in
SMARTMATE ICF2S18H1LD35M					

Product	A1	A2	B1	C1
SMARTMATE ICN1TTP40SC35M	9,5 in	8,90 in	1,7 in	1,18 in
SMARTMATE ICN2TTP40SC35M	9,5 in	8,90 in	1,7 in	1,18 in
SMARTMATE ICN2TTP40SC35I	9,5 in	8,90 in	1,7 in	1,18 in
SMARTMATE ICN3TTP40SC35M	9,5 in	8,90 in	1,7 in	1,18 in

Product	A1	A2	A3	B1	C1
SMARTMATE ICF2S4290CM2LD35M	4,55 in	4,20 in	2,00 in	3,00 in	1,29 in
SMARTMATE ICF2S42M2LDK	4,55 in	4,20 in	2,00 in	3,00 in	1,29 in
SMARTMATE ICF2S42M2BS35M	4,55 in	4,20 in	2,00 in	3,00 in	1,29 in
SMARTMATE ICF2S42M2LD35M	4,55 in	4,20 in	2,00 in	3,00 in	1,29 in

Fonctionnement et électricité

Fréquence d'entrée	50 à 60 Hz
Tension d'entrée	120 to 277 V
Distorsion harmonique totale États-Unis	10 %

Renseignements généraux

Order Code	Full Product Name	Nombre de lampes	Type de lampe
176511	SMARTMATE ELE BAL (2) 13W CFL (4-PIN) 120-277V KIT	1/2 piece/unit	CFQ13W/G24Q
176529	SMARTMATE ELE BAL (2) 18W CFL (4-PIN) 120-277V KIT	1/2 piece/unit	CFQ18W/G24Q
117788	SMARTMATE ELE BAL (2) 26W CFL (4-PIN) 120-277V KIT	1/2 piece/unit	CFQ26W/G24Q
136977	SMARTMATE ELE BAL (2) 42W CFL (4-PIN) 120/277V KIT	1/2 piece/unit	CFTR42W/GX24Q
182741	SMARTMATE ELE BALLAST (2) 42W CFL (4-PIN) 120-277V	1/2 piece/unit	CFTR42W/GX24Q
107417	SMARTMATE ELE BALLAST (2) 18W CFL (4-PIN) 120-277V	1/2 piece/unit	-
183319	SMARTMATE ELE BALLAST (2) 26W CFL (4-PIN) 120-277V	1/2 piece/unit	CFQ26W/G24Q
190520	SMARTMATE ELE BALLAST (2) 42W CFL (4-PIN) 120-277V	1/2 piece/unit	CFTR42W/GX24Q
190470	SMARTMATE ELE BALLAST (2) 13W CFL (4-PIN) 120-277V	1/2 piece/unit	CFQ13W/G24Q

Order Code	Full Product Name	Nombre de lampes	Type de lampe
190512	SMARTMATE ELE BALLAST (2) 26W CFL (4-PIN) 120-277V	1/2 piece/unit	CFQ26W/G24Q
513010	SMARTMATE ELE BALLAST (2) 13W CFL (4-PIN) 120-277V	1/2 piece/unit	CFQ13W/G24Q
119396	SMARTMATE ELE BALLAST (2) 42W CFL (4-PIN) 120-277V	1/2 piece/unit	CFTR42W/GX24Q
107151	SMARTMATE ELE BALLAST (2) 26W CFL (4-PIN) 120-277V	1/2 piece/unit	CFQ26W/G24Q
195958	SMARTMATE ELE BALLAST (3) 40W CFL (4-PIN) 120-277V	2/3 piece/unit	FT40W/2G11
502708	SMARTMATE ELE BALLAST (2) 40W CFL (4-PIN) 120-277V	1/2 piece/unit	FT40W/2G11
196618	SMARTMATE ELE BALLAST (2) 40W CFL (4-PIN) 120-277V	1/2 piece/unit	FT40W/2G11
196626	SMARTMATE ELE BALLAST (1) 40W CFL (4-PIN) 120-277V	1 piece/unit	FT40W/2G11

Mécanique et boîtier

Order Code	Full Product Name	Boîtier
176511	SMARTMATE ELE BAL (2) 13W CFL (4-PIN) 120-277V KIT	H1
176529	SMARTMATE ELE BAL (2) 18W CFL (4-PIN) 120-277V KIT	H1
117788	SMARTMATE ELE BAL (2) 26W CFL (4-PIN) 120-277V KIT	H1
136977	SMARTMATE ELE BAL (2) 42W CFL (4-PIN) 120/277V KIT	M2
182741	SMARTMATE ELE BALLAST (2) 42W CFL (4-PIN) 120-277V	M2
107417	SMARTMATE ELE BALLAST (2) 18W CFL (4-PIN) 120-277V	H1
183319	SMARTMATE ELE BALLAST (2) 26W CFL (4-PIN) 120-277V	H1
190520	SMARTMATE ELE BALLAST (2) 42W CFL (4-PIN) 120-277V	M2
190470	SMARTMATE ELE BALLAST (2) 13W CFL (4-PIN) 120-277V	H1

Order Code	Full Product Name	Boîtier
190512	SMARTMATE ELE BALLAST (2) 26W CFL (4-PIN) 120-277V	M1
513010	SMARTMATE ELE BALLAST (2) 13W CFL (4-PIN) 120-277V	H1
119396	SMARTMATE ELE BALLAST (2) 42W CFL (4-PIN) 120-277V	M2
107151	SMARTMATE ELE BALLAST (2) 26W CFL (4-PIN) 120-277V	M1
195958	SMARTMATE ELE BALLAST (3) 40W CFL (4-PIN) 120-277V	SC
502708	SMARTMATE ELE BALLAST (2) 40W CFL (4-PIN) 120-277V	SC
196618	SMARTMATE ELE BALLAST (2) 40W CFL (4-PIN) 120-277V	SC
196626	SMARTMATE ELE BALLAST (1) 40W CFL (4-PIN) 120-277V	SC

