



PAR56 and PAR 64 – picking out the smallest of details

PAR56 and PAR64

These self-contained spotlights are ideal for intensifying the visual experience in all kinds of clubs, that is because their accurate beam control picks out even the smallest of details even over long distances. This beam control makes the PAR 56 and PAR 64 excellent for long-range light projections. In addition, the universal burning feature provides complete flexibility of luminaire angle and position, while the front glass of the PAR56 provides thermal and physical protection. The result? Complete creative freedom to achieve the desired effect. Immediate re-strike also ensures instant resumption of entertainment after any power interruption.

优点

- Allows details to be picked out over long distances with good beam control
- Excellent for long-range light projections
- Provides thermal and physical protection
- Allows fullest flexibility of luminaire angle and position to obtain the desired effect
- Immediate re-strike after any power interruption

特点

- Self-contained spotlight
- Front glass
- Universal burning
- Hot restrike

应用

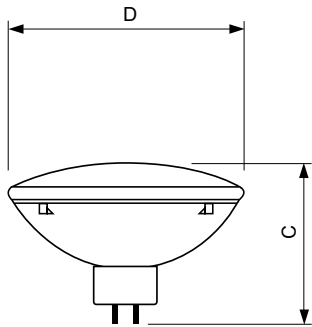
- Ideal for a wide range of performance and event lighting applications, for example in clubs, studios and theaters

PAR56 and PAR64

Versions



二维绘图



Product	D (max)	C (max)
PAR64 1000W 230V MFL	204 mm	150 mm
PAR64 1000W 230V VNSP	204 mm	150 mm

控制調光

可調光	Yes
-----	-----

運作和電氣

電壓 (標稱)	230 V
功率 (額定)(標稱)	1000 W

基本資訊

接口	GX16D
正常使用壽命 (標稱)	300 h
壽命 (故障率 50%) (最小)	300 h
主要應用	泛光與環境照明
操作位置	UNIVERSAL

照明科技

相關色溫 (標稱)	3200 K
-----------	--------

機械和殼體

燈泡形狀	PAR64
------	-------

基本資訊

Order Code	Full Product Name	Ansi 代碼	LIF 代碼
924783244204	PAR64 1000W 230V VNSP	EXC	CP60
924783444204	PAR64 1000W 230V MFL	EXE	CP62

照明科技

Order Code	Full Product Name	光束角 (Nom)	光束說明	光強 (最大)	Order Code	Full Product Name	光束角 (Nom)	光束說明	光強 (最大)
924783244204	PAR64 1000W 230V VNSP	11 °	Very Narrow Spot	400000 cd	924783444204	PAR64 1000W 230V MFL	23 °	Medium Flood	130000 cd

PAR56 and PAR64

