



# PAR56 and PAR 64 – picking out the smallest of details

## PAR56 and PAR64

These self-contained spotlights are ideal for intensifying the visual experience in all kinds of clubs, that is because their accurate beam control picks out even the smallest of details even over long distances. This beam control makes the PAR 56 and PAR 64 excellent for long-range light projections. In addition, the universal burning feature provides complete flexibility of luminaires angle and position, while the front glass of the PAR56 provides thermal and physical protection. The result? Complete creative freedom to achieve the desired effect. Immediate re-strike also ensures instant resumption of entertainment after any power interruption.

### Benefits

- Allows details to be picked out over long distances with good beam control
- Excellent for long-range light projections
- Provides thermal and physical protection
- Allows fullest flexibility of luminaire angle and position to obtain the desired effect
- Immediate re-strike after any power interruption

### Features

- Self-contained spotlight
- Front glass
- Universal burning
- Hot restrike

### Application

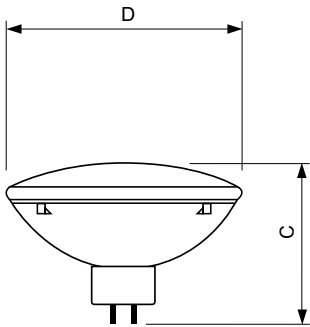
- Ideal for a wide range of performance and event lighting applications, for example in clubs, studios and theaters

# PAR56 and PAR64

## Versions



## Dimensional drawing



Product	D (max)	C (max)
PAR64 250W 28V VNSP	204 mm	150 mm
PAR64 1000W 240V NSP	204 mm	150 mm
PAR64 1000W 240V VNSP	204 mm	150 mm
PAR64 1000W 240V MFL	204 mm	150 mm
Par56 MFL 300W 240V GX16d.1CT/6	178 mm	127 mm

### General Information

Main Application	Flood and Ambient Lighting
Operating Position	UNIVERSAL

## Operating and Electrical

Order Code	Full Product Name	Voltage (Nom)	Power (Rated) (Nom)
924783221704	PAR64 250W 28V VNSP	28 V	250 W
924783245504	PAR64 1000W 240V VNSP	240 V	1000 W
924783345504	PAR64 1000W 240V NSP	240 V	1000 W

Order Code	Full Product Name	Voltage (Nom)	Power (Rated) (Nom)
924783445504	PAR64 1000W 240V MFL	240 V	1000 W
924783645504	Par56 MFL 300W 240V GX16d.1CT/6	240 V	300 W

## General Information

Order Code	Full Product Name	Ansi Code	Cap-Base	LIF Code	Nominal Lifetime (Nom)	Life To 50% Failures (Min)
924783221704	PAR64 250W 28V VNSP	-	MULTIPURPOSE	-	50 h	50 h
924783245504	PAR64 1000W 240V VNSP	EXC	GX16D	CP60	300 h	300 h
924783345504	PAR64 1000W 240V NSP	EXD	GX16D	CP61	300 h	300 h
924783445504	PAR64 1000W 240V MFL	EXE	GX16D	CP62	300 h	300 h
924783645504	Par56 MFL 300W 240V GX16d.1CT/6	-	GX16D	-	2000 h	2000 h

## Light Technical

## PAR56 and PAR64

Order Code	Full Product Name	Beam		Correlated	
		Angle (Nom)	Beam Description	Colour Temperature (Nom)	Luminous Intensity (Max)
924783221704	PAR64 250W 28V VN5P	-	Very Narrow Spot	3200 K	500000 cd
924783245504	PAR64 1000W 240V VN5P	11 °	Very Narrow Spot	3200 K	400000 cd
924783345504	PAR64 1000W 240V NSP	12 °	Narrow Spot	3200 K	290000 cd

Order Code	Full Product Name	Beam		Correlated	
		Angle (Nom)	Beam Description	Colour Temperature (Nom)	Luminous Intensity (Max)
924783445504	PAR64 1000W 240V MFL	23 °	Medium Flood	3200 K	130000 cd
924783645504	Par56 MFL 300W 240V GX16d.1CT/6	20 °	Medium Flood	3000 K	30000 cd

### Mechanical and Housing

Order Code	Full Product Name	Bulb Shape
924783221704	PAR64 250W 28V VN5P	PAR64
924783245504	PAR64 1000W 240V VN5P	PAR64
924783345504	PAR64 1000W 240V NSP	PAR64

Order Code	Full Product Name	Bulb Shape
924783445504	PAR64 1000W 240V MFL	PAR64
924783645504	Par56 MFL 300W 240V GX16d.1CT/6	-

### Controls and Dimming

Order Code	Full Product Name	Dimmable
924783221704	PAR64 250W 28V VN5P	-
924783245504	PAR64 1000W 240V VN5P	yes
924783345504	PAR64 1000W 240V NSP	yes

Order Code	Full Product Name	Dimmable
924783445504	PAR64 1000W 240V MFL	yes
924783645504	Par56 MFL 300W 240V GX16d.1CT/6	yes

### Approval and Application

Order Code	Full Product Name	Energy Efficiency Label (EEL)
924783221704	PAR64 250W 28V VN5P	-
924783245504	PAR64 1000W 240V VN5P	-
924783345504	PAR64 1000W 240V NSP	-

Order Code	Full Product Name	Energy Efficiency Label (EEL)
924783445504	PAR64 1000W 240V MFL	-
924783645504	Par56 MFL 300W 240V GX16d.1CT/6	Not applicable

