



PAR56 and PAR 64 – picking out the smallest of details

PAR56 and PAR64

These self-contained spotlights are ideal for intensifying the visual experience in all kinds of clubs, that is because their accurate beam control picks out even the smallest of details even over long distances. This beam control makes the PAR 56 and PAR 64 excellent for long-range light projections. In addition, the universal burning feature provides complete flexibility of luminaires angle and position, while the front glass of the PAR56 provides thermal and physical protection. The result? Complete creative freedom to achieve the desired effect. Immediate re-strike also ensures instant resumption of entertainment after any power interruption.

Benefits

- Allows details to be picked out over long distances with good beam control
- Excellent for long-range light projections
- Provides thermal and physical protection
- Allows fullest flexibility of luminaire angle and position to obtain the desired effect
- Immediate re-strike after any power interruption

Features

- Self-contained spotlight
- Front glass
- Universal burning
- Hot restrike

Application

- Ideal for a wide range of performance and event lighting applications, for example in clubs, studios and theaters

PAR56 and PAR64

Versions

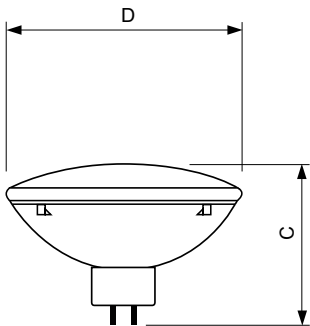


PAR64



PAR56

Dimensional drawing



Product	D (max)	C (max)
PAR64 1000W 240V VNSP	204 mm	150 mm
Par56 MFL 300W 240V GX16d.1CT/6	178 mm	127 mm
PAR64 1000W 240V MFL	204 mm	150 mm
PAR64 1000W 240V NSP	204 mm	150 mm

Controls and Dimming

Dimmable Yes

Operating and Electrical

Voltage (Nom) 240 V

General Information

Cap-Base GX16D

Main Application Flood and Ambient Lighting

Operating Position Universal

Operating and Electrical

Order Code	Full Product Name	Power (Rated) (Nom)
273607	PAR64 1000W 240V VNSP	1000 W
273615	PAR64 1000W 240V NSP	1000 W

Order Code	Full Product Name	Power (Rated) (Nom)
273623	PAR64 1000W 240V MFL	1000 W
273565	Par56 MFL 300W 240V GX16d.1CT/6	300 W

General Information

PAR56 and PAR64

Order Code	Full Product Name	Ansi Code	LIF Code	Nominal Lifetime (Nom)	Life To 50% Failures (Min)
273607	PAR64 1000W 240V VNSP	EXC	CP60	300 h	300 h
273615	PAR64 1000W 240V NSP	EXD	CP61	300 h	300 h

Order Code	Full Product Name	Ansi Code	LIF Code	Nominal Lifetime (Nom)	Life To 50% Failures (Min)
273623	PAR64 1000W 240V MFL	EXE	CP62	300 h	300 h
273565	Par56 MFL 300W 240V GX16d.1CT/6	-	-	2000 h	2000 h

Light Technical

Order Code	Full Product Name	Beam Angle (Nom)	Beam Description	Correlated Color Temperature (Nom)	Luminous Intensity (Max)
273607	PAR64 1000W 240V VNSP	11°	Very Narrow Spot	3200 K	400000 cd
273615	PAR64 1000W 240V NSP	12°	Narrow Spot	3200 K	290000 cd
273623	PAR64 1000W 240V MFL	23°	Medium Flood	3200 K	130000 cd

Order Code	Full Product Name	Beam Angle (Nom)	Beam Description	Correlated Color Temperature (Nom)	Luminous Intensity (Max)
273565	Par56 MFL 300W 240V GX16d.1CT/6	20°	Medium Flood	3000 K	30000 cd

Mechanical and Housing

Order Code	Full Product Name	Bulb Shape
273607	PAR64 1000W 240V VNSP	PAR64
273615	PAR64 1000W 240V NSP	PAR64

Order Code	Full Product Name	Bulb Shape
273623	PAR64 1000W 240V MFL	PAR64
273565	Par56 MFL 300W 240V GX16d.1CT/6	-

Approval and Application

Order Code	Full Product Name	Energy Efficiency Label (EEL)
273607	PAR64 1000W 240V VNSP	-
273615	PAR64 1000W 240V NSP	-

Order Code	Full Product Name	Energy Efficiency Label (EEL)
273623	PAR64 1000W 240V MFL	-
273565	Par56 MFL 300W 240V GX16d.1CT/6	Not applicable

