



TUV T5 - Small diameter lamps for professional applications

TUV T5

TUV T5 lamps are single- or double-ended UVC (germicidal) lamps used in professional water and air disinfection units. The small 16 mm diameter of the lamp allows for a small system design and design flexibility. TUV T5 lamps offer constant UV output over their complete lifetime, for maximum security of disinfection and high system efficacy.

Benefits

- Security of effective disinfection over the useful lifetime of the lamp
- High system efficacy because it is not required to over-design the purification system to maintain effectiveness of disinfection
- Good environmental choice because of lowest amount of mercury

Features

- Short-wave UV radiation with a peak at 253.7 nm (UVC) for disinfection
- Small diameter
- Protective inside coating ensures almost constant UV output over the complete lifetime of the lamp
- Lamp glass filters out the 185 nm ozone-forming radiation
- High temperature and UV-resistant lamp bases
- High Output versions available for optimum UVC output per lamp length, allowing for further reduction of system size
- Warning sign on lamp indicates that the lamp radiates UVC

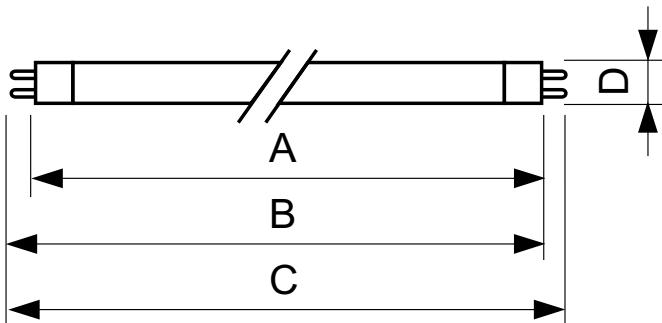
Application

- Deactivation of bacteria, viruses and other micro-organisms
- Air treatment systems
- Industrial water disinfection equipment, e.g. for food & beverage industry
- Small municipal water treatment systems
- Swimming pool units
- Residential drinking water units

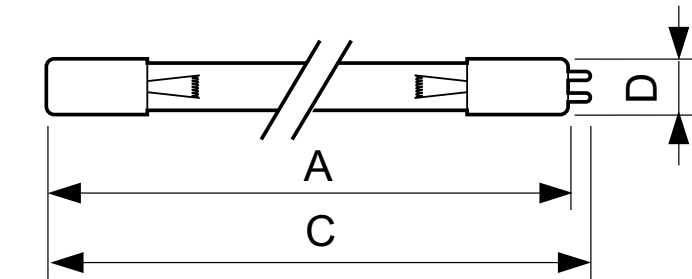
Versions



Dimensional drawing

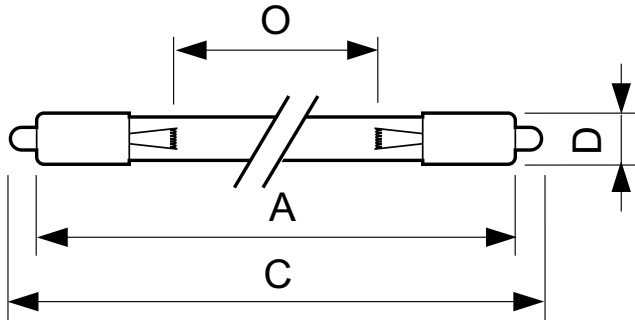


Product	D (max)	B (max)	B (min)	C (max)	A (max)
TUV 16W FAM/10X25BOX	16 mm	295.4 mm	293 mm	302.5 mm	288.3 mm



Product	D (max)	C (max)	A (max)
TUV 20W 4P SE UNP/32	19.3 mm	437.7 mm	430 mm
TUV 25W - 4P SE UNP/32	19.3 mm	556.6 mm	548.9 mm
TUV 36T5 HO 4P SE UNP/32	19.3 mm	853 mm	845.4 mm
TUV 64T5 HO 4P SE UNP/32	19.3 mm	1564.5 mm	1555.2 mm
TUV 36T5 HE 4P SE UNP/32	19.3 mm	853 mm	845.4 mm

Dimensional drawing



Product	D (max)	O	C (max)	A (max)
TUV 64T5 HE SP UNP/32	18.6 mm	1473 mm	1575.1 mm	1556.6 mm
TUV 36T5 SP NO/32	18.6 mm	762 mm	863.9 mm	845.4 mm

General Information	
Main Application	Disinfection
Light Technical	
Colour Code	TUV
Colour Designation	-

Approval and Application

Order Code	Full Product Name	Mercury (Hg) Content (Nom)
64036999	TUV 36T5 SP NO/32	3.0 mg
64079699	TUV 64T5 HE SP UNP/32	3.0 mg
64231899	TUV 36T5 HE 4P SE UNP/32	3.0 mg
26131199	TUV 64T5 HO 4P SE UNP/32	5.5 mg

Order Code	Full Product Name	Mercury (Hg) Content (Nom)
86970899	TUV 36T5 HO 4P SE UNP/32	5.5 mg
26440499	TUV 25W - 4P SE UNP/32	4.4 mg
81559700	TUV 20W 4P SE UNP/32	4.4 mg
63869427	TUV 16W FAM/10X25BOX	4.4 mg

Operating and Electrical

Order Code	Full Product Name	Lamp Current (Nom)	Voltage (Nom)	Power (Rated) (Nom)
64036999	TUV 36T5 SP NO/32	0.425 A	94 V	40 W
64079699	TUV 64T5 HE SP UNP/32	0.425 A	176 V	75 W
64231899	TUV 36T5 HE 4P SE UNP/32	0.425 A	94 V	40 W
26131199	TUV 64T5 HO 4P SE UNP/32	0.8 A	175 V	145 W

Order Code	Full Product Name	Lamp Current (Nom)	Voltage (Nom)	Power (Rated) (Nom)
86970899	TUV 36T5 HO 4P SE UNP/32	0.8 A	97 V	75 W
26440499	TUV 25W - 4P SE UNP/32	0.35 A	82 V	23 W
81559700	TUV 20W 4P SE UNP/32	0.45 A	45 V	20 W
63869427	TUV 16W FAM/10X25BOX	0.4 A	43 V	15 W

General Information

Order Code	Full Product Name	Cap-Base	Useful Life (Nom)	System Description
64036999	TUV 36T5 SP NO/32	SINGLEPIN	9000 h	High Efficiency
64079699	TUV 64T5 HE SP UNP/32	SINGLEPIN	9000 h	High Efficiency
64231899	TUV 36T5 HE 4P SE UNP/32	4PINSSINGLEENDED	9000 h	High Efficiency
26131199	TUV 64T5 HO 4P SE UNP/32	4PINSSINGLEENDED	9000 h	High Output (HO)
86970899	TUV 36T5 HO 4P SE UNP/32	4PINSSINGLEENDED	9000 h	High Output (HO)

Order Code	Full Product Name	Cap-Base	Useful Life (Nom)	System Description
26440499	TUV 25W - 4P SE UNP/32	4PINSSINGLEENDED	9000 h	na
81559700	TUV 20W 4P SE UNP/32	4PINSSINGLEENDED	11000 h	-
63869427	TUV 16W FAM/10X25BOX	G5	11000 h	na

Light Technical

Order Code	Full Product Name	Lumen Depreciation At Useful Lifetime
64036999	TUV 36T5 SP NO/32	15 %
64079699	TUV 64T5 HE SP UNP/32	15 %
64231899	TUV 36T5 HE 4P SE UNP/32	15 %
26131199	TUV 64T5 HO 4P SE UNP/32	15 %

Order Code	Full Product Name	Lumen Depreciation At Useful Lifetime
86970899	TUV 36T5 HO 4P SE UNP/32	15 %
26440499	TUV 25W - 4P SE UNP/32	20 %
81559700	TUV 20W 4P SE UNP/32	15 %
63869427	TUV 16W FAM/10X25BOX	15 %

Mechanical and Housing

Order Code	Full Product Name	Bulb Shape
64036999	TUV 36T5 SP NO/32	T16
64079699	TUV 64T5 HE SP UNP/32	T16
64231899	TUV 36T5 HE 4P SE UNP/32	T16
26131199	TUV 64T5 HO 4P SE UNP/32	T16

Order Code	Full Product Name	Bulb Shape
86970899	TUV 36T5 HO 4P SE UNP/32	T16
26440499	TUV 25W - 4P SE UNP/32	T16
81559700	TUV 20W 4P SE UNP/32	-
63869427	TUV 16W FAM/10X25BOX	T16

UV

Order Code	Full Product Name	UV-C Radiation
64036999	TUV 36T5 SP NO/32	15 W
64079699	TUV 64T5 HE SP UNP/32	31 W
64231899	TUV 36T5 HE 4P SE UNP/32	15 W
26131199	TUV 64T5 HO 4P SE UNP/32	48 W

Order Code	Full Product Name	UV-C Radiation
86970899	TUV 36T5 HO 4P SE UNP/32	25 W
26440499	TUV 25W - 4P SE UNP/32	8.0 W
81559700	TUV 20W 4P SE UNP/32	6.0 W
63869427	TUV 16W FAM/10X25BOX	4.0 W

