



# Product Description

## TUV T5

TUV T5 lamps are single- or double-ended UVC (germicidal) lamps used in professional water and air disinfection units. The small 16 mm diameter of the lamp allows for a small system design and design flexibility. TUV T5 lamps offer constant UV output over their complete lifetime, for maximum security of disinfection and high system efficacy.

### Benefits

- Security of effective disinfection over the complete lifetime of the lamp
- High system efficacy because it is not required to over-design the purification system to maintain effectiveness of disinfection

### Features

- Short-wave UV radiation with a peak at 253.7 nm (UVC) for disinfection
- Small diameter
- Protective inside coating ensures constant UV output over the complete lifetime of the lamp
- Lamp glass filters out the 185 nm ozone-forming line
- High temperature and UV-resistant lamp bases
- High Output versions available for optimum UVC output per lamp length, allowing for further reduction of system size
- Warning sign on lamp indicates that the lamp radiates UVC

### Application

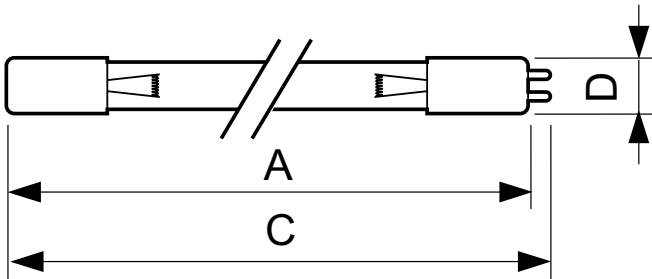
- Deactivation of bacteria, viruses and other micro-organisms
- Air treatment systems
- Industrial water disinfection equipment, e.g. for food & beverage industry
- Small municipal water treatment systems
- Swimming pool units
- Residential drinking water units

# TUV T5

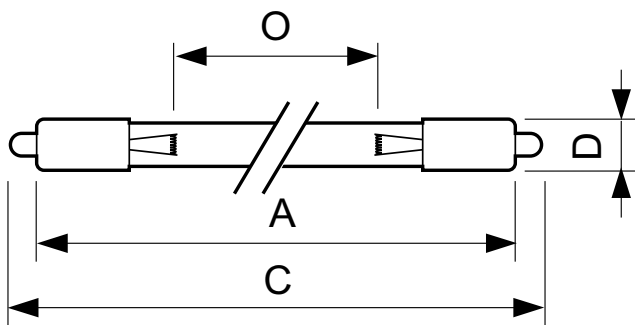
## Versions



## Dimensional drawing



Product	D (max)	C (max)	A (max)
TUV 36T5 HO 4P SE UNP/32	19.3 mm	853 mm	845.4 mm
TUV 64T5 HO 4P SE UNP/32	19.3 mm	1564.5 mm	1555.2 mm
TUV 36T5 HE 4P SE UNP/32	19.3 mm	853 mm	845.4 mm



Product	D (max)	O	C (max)	A (max)
TUV 64T5 HE SP UNP/32	18.6 mm	1473 mm	1575.1 mm	1556.6 mm

### General Information

Useful Life (Nom)	9000 h
Main Application	Disinfection

### Light Technical

Colour Code	TUV
Colour Designation	-
Lumen Depreciation At Useful Lifetime	15 %

### Mechanical and Housing

Bulb Shape	T16
------------	-----

## Approval and Application

## TUV T5

Order Code	Full Product Name	Mercury (Hg) Content (Nom)
64231899	TUV 36T5 HE 4P SE UNP/32	3.0 mg
26131199	TUV 64T5 HO 4P SE UNP/32	5.5 mg

Order Code	Full Product Name	Mercury (Hg) Content (Nom)
86970899	TUV 36T5 HO 4P SE UNP/32	5.5 mg
64079699	TUV 64T5 HE SP UNP/32	3.0 mg

### Operating and Electrical

Order Code	Full Product Name	Lamp Current (Nom)	Voltage (Nom)	Power (Rated) (Nom)
64231899	TUV 36T5 HE 4P SE UNP/32	0.425 A	94 V	40 W
26131199	TUV 64T5 HO 4P SE UNP/32	0.8 A	175 V	145 W

Order Code	Full Product Name	Lamp Current (Nom)	Voltage (Nom)	Power (Rated) (Nom)
86970899	TUV 36T5 HO 4P SE UNP/32	0.8 A	97 V	75 W
64079699	TUV 64T5 HE SP UNP/32	0.425 A	176 V	75 W

### General Information

Order Code	Full Product Name	Cap-Base	System Description
64231899	TUV 36T5 HE 4P SE UNP/32	4PINSSINGLEENDED	High Efficiency
26131199	TUV 64T5 HO 4P SE UNP/32	4PINSSINGLEENDED	High Output (HO)

Order Code	Full Product Name	Cap-Base	System Description
86970899	TUV 36T5 HO 4P SE UNP/32	4PINSSINGLEENDED	High Output (HO)
64079699	TUV 64T5 HE SP UNP/32	SINGLEPIN	High Efficiency

### UV

Order Code	Full Product Name	UV-C Radiation
64231899	TUV 36T5 HE 4P SE UNP/32	15 W
26131199	TUV 64T5 HO 4P SE UNP/32	48 W

Order Code	Full Product Name	UV-C Radiation
86970899	TUV 36T5 HO 4P SE UNP/32	25 W
64079699	TUV 64T5 HE SP UNP/32	31 W

