



Product Description

TUV T5

TUV T5 lamps are single- or double-ended UVC (germicidal) lamps used in professional water and air disinfection units. The small 16 mm diameter of the lamp allows for a small system design and design flexibility. TUV T5 lamps offer constant UV output over their complete lifetime, for maximum security of disinfection and high system efficacy.

Benefits

- Security of effective disinfection over the complete lifetime of the lamp
- High system efficacy because it is not required to over-design the purification system to maintain effectiveness of disinfection

Features

- Short-wave UV radiation with a peak at 253.7 nm (UVC) for disinfection
- Small diameter
- Protective inside coating ensures constant UV output over the complete lifetime of the lamp
- Lamp glass filters out the 185 nm ozone-forming line
- High temperature and UV-resistant lamp bases
- High Output versions available for optimum UVC output per lamp length, allowing for further reduction of system size
- Warning sign on lamp indicates that the lamp radiates UVC

Application

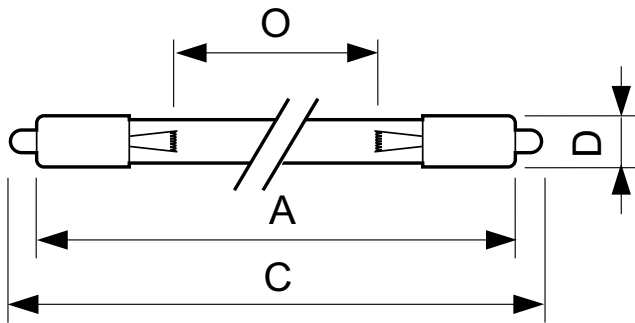
- Deactivation of bacteria, viruses and other micro-organisms
- Air treatment systems
- Industrial water disinfection equipment, e.g. for food & beverage industry
- Small municipal water treatment systems
- Swimming pool units
- Residential drinking water units

TUV T5

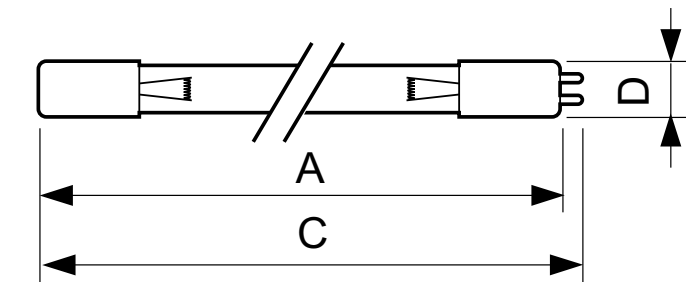
Versions



Dimensional drawing



Product	D (max)	O	C (max)	A (max)
TUV 64T5 HE SP UNP/32	18.6 mm	1473 mm	1575.1 mm	1556.6 mm
TUV 36T5 SP NO/32	18.6 mm	762 mm	863.9 mm	845.4 mm



Product	D (max)	C (max)	A (max)
TUV 64T5 HO 4P SE UNP/32	19.3 mm	1564.5 mm	1555.2 mm
TUV 25W - 4P SE UNP/32	19.3 mm	556.6 mm	548.9 mm
TUV 36T5 HO 4P SE UNP/32	19.3 mm	853 mm	845.4 mm
TUV 36T5 HE 4P SE UNP/32	19.3 mm	853 mm	845.4 mm

General Information

Useful Life (Nom)	9000 h
Main Application	Disinfection

Light Technical

Colour Code	TUV
Colour Designation	-

Mechanical and Housing

Bulb Shape	T16
------------	-----

Approval and Application

TUV T5

Order Code	Full Product Name	Mercury (Hg) Content (Nom)
927970004099	TUV 36T5 SP NO/32	3.0 mg
927970504099	TUV 64T5 HE SP UNP/32	3.0 mg
927970204099	TUV 36T5 HE 4P SE UNP/32	3.0 mg

Order Code	Full Product Name	Mercury (Hg) Content (Nom)
927971104099	TUV 64T5 HO 4P SE UNP/32	5.5 mg
927972104099	TUV 36T5 HO 4P SE UNP/32	5.5 mg
927972204099	TUV 25W - 4P SE UNP/32	4.4 mg

Operating and Electrical

Order Code	Full Product Name	Lamp		Power
		Current (Nom)	Voltage (Nom)	(Rated) (Nom)
927970004099	TUV 36T5 SP NO/32	0.425 A	94 V	40 W
927970504099	TUV 64T5 HE SP UNP/32	0.425 A	176 V	75 W
927970204099	TUV 36T5 HE 4P SE UNP/32	0.425 A	94 V	40 W
927971104099	TUV 64T5 HO 4P SE UNP/32	0.8 A	175 V	145 W

Order Code	Full Product Name	Lamp		Power
		Current (Nom)	Voltage (Nom)	(Rated) (Nom)
927972104099	TUV 36T5 HO 4P SE UNP/32	0.8 A	97 V	75 W
927972204099	TUV 25W - 4P SE UNP/32	0.35 A	82 V	23 W

General Information

Order Code	Full Product Name	Cap-Base	System
			Description
927970004099	TUV 36T5 SP NO/32	SINGLEPIN	High Efficiency
927970504099	TUV 64T5 HE SP UNP/32	SINGLEPIN	High Efficiency
927970204099	TUV 36T5 HE 4P SE UNP/32	4PINSSINGLEENDED	High Efficiency
927971104099	TUV 64T5 HO 4P SE UNP/32	4PINSSINGLEENDED	High Output (HO)

Order Code	Full Product Name	Cap-Base	System
			Description
927972104099	TUV 36T5 HO 4P SE UNP/32	4PINSSINGLEENDED	High Output (HO)
927972204099	TUV 25W - 4P SE UNP/32	4PINSSINGLEENDED	na

Light Technical

Order Code	Full Product Name	Lumen Depreciation At Useful Lifetime
927970004099	TUV 36T5 SP NO/32	15 %
927970504099	TUV 64T5 HE SP UNP/32	15 %
927970204099	TUV 36T5 HE 4P SE UNP/32	15 %

Order Code	Full Product Name	Lumen Depreciation At Useful Lifetime
927971104099	TUV 64T5 HO 4P SE UNP/32	15 %
927972104099	TUV 36T5 HO 4P SE UNP/32	15 %
927972204099	TUV 25W - 4P SE UNP/32	20 %

UV

Order Code	Full Product Name	UV-C Radiation
927970004099	TUV 36T5 SP NO/32	15 W
927970504099	TUV 64T5 HE SP UNP/32	31 W

Order Code	Full Product Name	UV-C Radiation
927970204099	TUV 36T5 HE 4P SE UNP/32	15 W
927971104099	TUV 64T5 HO 4P SE UNP/32	48 W

