



TUV T5 - Small diameter lamps for professional applications

TUV T5

TUV T5 lamps are single- or double-ended UVC (germicidal) lamps used in professional water and air disinfection units. The small 16 mm diameter of the lamp allows for a small system design and design flexibility. TUV T5 lamps offer constant UV output over their complete lifetime, for maximum security of disinfection and high system efficacy.

Benefits

- Security of effective disinfection over the useful lifetime of the lamp
- High system efficacy because it is not required to over-design the purification system to maintain effectiveness of disinfection
- Good environmental choice because of lowest amount of mercury

Features

- Short-wave UV radiation with a peak at 253.7 nm (UVC) for disinfection
- Small diameter
- Protective inside coating ensures almost constant UV output over the complete lifetime of the lamp
- Lamp glass filters out the 185 nm ozone-forming radiation
- High temperature and UV-resistant lamp bases
- High Output versions available for optimum UVC output per lamp length, allowing for further reduction of system size
- Warning sign on lamp indicates that the lamp radiates UVC

Application

- Deactivation of bacteria, viruses and other micro-organisms
- Air treatment systems
- Industrial water disinfection equipment, e.g. for food & beverage industry
- Small municipal water treatment systems
- Swimming pool units
- Residential drinking water units

Versions

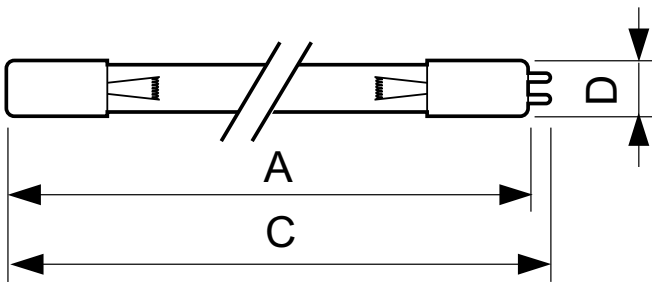


single pin

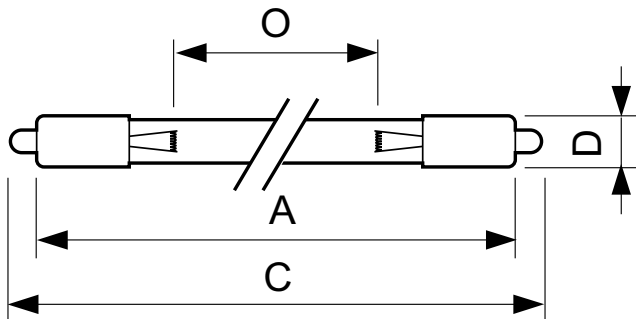
4 pins single ended

TUV G5

Dimensional drawing

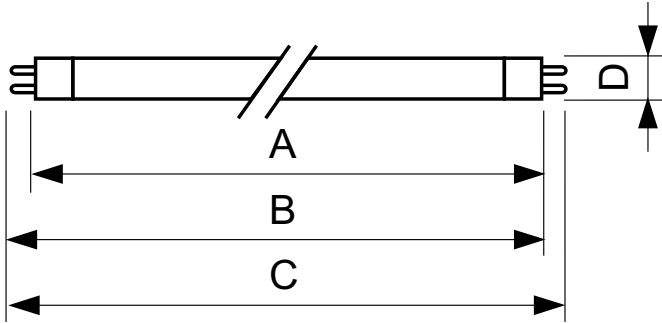


| Product | D (max) | C (max) | A (max) |
|--------------------------|---------|-----------|-----------|
| TUV 36T5 HE 4P SE UNP/32 | 19.3 mm | 853 mm | 845.4 mm |
| TUV 36T5 HO 4P SE UNP/32 | 19.3 mm | 853 mm | 845.4 mm |
| TUV 20W 4P SE UNP/32 | 19.3 mm | 437.7 mm | 430 mm |
| TUV 64T5 HO 4P SE UNP/32 | 19.3 mm | 1564.5 mm | 1555.2 mm |
| TUV 25W - 4P SE UNP/32 | 19.3 mm | 556.6 mm | 548.9 mm |



| Product | D (max) | O | C (max) | A (max) |
|-----------------------|---------|---------|-----------|-----------|
| TUV 36T5 SP NO/32 | 18.6 mm | 762 mm | 863.9 mm | 845.4 mm |
| TUV 64T5 HE SP UNP/32 | 18.6 mm | 1473 mm | 1575.1 mm | 1556.6 mm |

Dimensional drawing



| Product | D (max) | B (max) | B (min) | C (max) | A (max) |
|----------------------|---------|----------|---------|----------|----------|
| TUV 16W FAM/10X25BOX | 16 mm | 295.4 mm | 293 mm | 302.5 mm | 288.3 mm |

| General Information | |
|---------------------|--------------|
| Main Application | Disinfection |
| Light Technical | |
| Color Code | TUV |
| Color Designation | - |

Approval and Application

| Order Code | Full Product Name | Mercury (Hg) Content (Nom) |
|------------|---------------------|----------------------------|
| 292672 | TUV 36T5/SP | 3.0 mg |
| 292698 | TUV 64T5/SP | 3.0 mg |
| 362095 | TUV 36T5 4P SE 32PK | 3.0 mg |
| 392001 | TUV64T5/HO 4P | 5.5 mg |

| Order Code | Full Product Name | Mercury (Hg) Content (Nom) |
|------------|------------------------|----------------------------|
| 133892 | TUV 36T5 HO 4P SE 32PK | 5.5 mg |
| 133413 | TUV 25W 4P-SE | 4.4 mg |
| 230615 | TUV T5 20W 4P SE | 4.4 mg |
| 112508 | TUV 16W/T5 10 x 25 BOX | 4.4 mg |

Operating and Electrical

| Order Code | Full Product Name | Lamp Current | | Power (Rated) |
|------------|---------------------|--------------|---------------|---------------|
| | | (Nom) | Voltage (Nom) | (Nom) |
| 292672 | TUV 36T5/SP | 0.425 A | 94 V | 40 W |
| 292698 | TUV 64T5/SP | 0.425 A | 176 V | 75 W |
| 362095 | TUV 36T5 4P SE 32PK | 0.425 A | 94 V | 40 W |
| 392001 | TUV64T5/HO 4P | 0.8 A | 175 V | 145 W |

| Order Code | Full Product Name | Lamp Current | | Power (Rated) |
|------------|------------------------|--------------|---------------|---------------|
| | | (Nom) | Voltage (Nom) | (Nom) |
| 133892 | TUV 36T5 HO 4P SE 32PK | 0.8 A | 97 V | 75 W |
| 133413 | TUV 25W 4P-SE | 0.35 A | 82 V | 23 W |
| 230615 | TUV T5 20W 4P SE | 0.45 A | 45 V | 20 W |
| 112508 | TUV 16W/T5 10 x 25 BOX | 0.4 A | 43 V | 15 W |

General Information

| Order Code | Full Product Name | Cap-Base | Useful Life (Nom) | System Description |
|------------|---------------------|------------------|-------------------|--------------------|
| 292672 | TUV 36T5/SP | SINGLEPIN | 9000 h | High Efficiency |
| 292698 | TUV 64T5/SP | SINGLEPIN | 9000 h | High Efficiency |
| 362095 | TUV 36T5 4P SE 32PK | 4PINSSINGLEENDED | 9000 h | High Efficiency |
| 392001 | TUV64T5/HO 4P | 4PINSSINGLEENDED | 9000 h | High Output (HO) |

| Order Code | Full Product Name | Cap-Base | Useful Life (Nom) | System Description |
|------------|------------------------|------------------|-------------------|--------------------|
| 133892 | TUV 36T5 HO 4P SE 32PK | 4PINSSINGLEENDED | 9000 h | High Output (HO) |
| 133413 | TUV 25W 4P-SE | 4PINSSINGLEENDED | 9000 h | na |
| 230615 | TUV T5 20W 4P SE | 4PINSSINGLEENDED | 11000 h | - |
| 112508 | TUV 16W/T5 10 x 25 BOX | G5 | 11000 h | na |

Light Technical

TUV T5

| Order Code | Full Product Name | Lumen Depreciation At Useful Lifetime |
|------------|---------------------|---------------------------------------|
| 292672 | TUV 36T5/SP | 15 % |
| 292698 | TUV 64T5/SP | 15 % |
| 362095 | TUV 36T5 4P SE 32PK | 15 % |
| 392001 | TUV64T5/HO 4P | 15 % |

| Order Code | Full Product Name | Lumen Depreciation At Useful Lifetime |
|------------|------------------------|---------------------------------------|
| 133892 | TUV 36T5 HO 4P SE 32PK | 15 % |
| 133413 | TUV 25W 4P-SE | 20 % |
| 230615 | TUV T5 20W 4P SE | 15 % |
| 112508 | TUV 16W/T5 10 x 25 BOX | 15 % |

Mechanical and Housing

| Order Code | Full Product Name | Bulb Shape |
|------------|---------------------|------------|
| 292672 | TUV 36T5/SP | T5 |
| 292698 | TUV 64T5/SP | T5 |
| 362095 | TUV 36T5 4P SE 32PK | T5 |
| 392001 | TUV64T5/HO 4P | T5 |

| Order Code | Full Product Name | Bulb Shape |
|------------|------------------------|------------|
| 133892 | TUV 36T5 HO 4P SE 32PK | T5 |
| 133413 | TUV 25W 4P-SE | T5 |
| 230615 | TUV T5 20W 4P SE | - |
| 112508 | TUV 16W/T5 10 x 25 BOX | T5 |

UV

| Order Code | Full Product Name | UV-C Radiation |
|------------|---------------------|----------------|
| 292672 | TUV 36T5/SP | 15 W |
| 292698 | TUV 64T5/SP | 31 W |
| 362095 | TUV 36T5 4P SE 32PK | 15 W |
| 392001 | TUV64T5/HO 4P | 48 W |

| Order Code | Full Product Name | UV-C Radiation |
|------------|------------------------|----------------|
| 133892 | TUV 36T5 HO 4P SE 32PK | 25 W |
| 133413 | TUV 25W 4P-SE | 8.0 W |
| 230615 | TUV T5 20W 4P SE | 6.0 W |
| 112508 | TUV 16W/T5 10 x 25 BOX | 4.0 W |

