



Actinic BL PL-L Secura - compact and HACCP-approved

Actinic BL PL-L Secura

With an optimized spectrum matching the eye sensitivity of the housefly, Actinic BL PL-L Secura lamps are perfect for attracting insects. With the compact PL-L product format in a variety of wattages, new attractive designs are possible. Furthermore, these lamps have virtually no UV-B output, and so are perfectly safe. In addition, they have a special "Secura" sleeve that keeps all glass and components together in the case of accidental breakage. This eliminates the risk of glass splinters showering down on food preparation areas, for example. And that is why it meets the strict HACCP requirements. What's more, with the lowest mercury content in the industry and being 100% lead-free, these lamps represent a very good environmental choice.

Benefits

- Perfectly matches the eye sensitivity of houseflies and in this way attracts more insects
- Safe for use
- Good environmental choice
- Other designs possible
- No risk of glass particles

Features

- Emits long-wave UV-A radiation in the 350-400 nm range
- UV-B/UV-A ratio less than 0.1% (UV-B 280-315 nm)
- 100% lead-free
- Low mercury content
- Compact lamp format
- Shatterproof sleeve

Actinic BL PL-L Secura

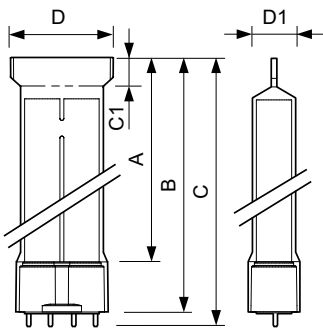
Application

- Insect traps, Electronic Fly Killers (EFKs)

Versions



Dimensional drawing



Product	D1 (max)	D (max)	C1	A (max)	B (max)	C (max)
PL-L 36W/10/4P	27 mm	40 mm	20.0 mm	404.2 mm	430.0 mm	436.6 mm
SECURA 1CT/25						

