



The new generation of energy-saving tube lighting

Other LEDtube

Philips LEDtube integrates a LED light source into a traditional fluorescent form factor. This product is the ideal solution for uplampping in general lighting applications: it meets basic lighting requirements, offers significant energy savings, and is environmentally friendly.

Benefits

- Reduced operational cost thanks to lower energy consumption
- Lower maintenance cost thanks to 2-3 times longer lifetime than conventional lamps
- Fastest and easiest way to upgrade existing luminaires to LED technology; completely safe product and installation process

Features

- Highly energy-efficient
- Easy installation
- Conventional form factor to fit into existing luminaires
- No mercury

Application

- Hospitality, retail, office, industrial and home applications

Other LEDtube

Versions



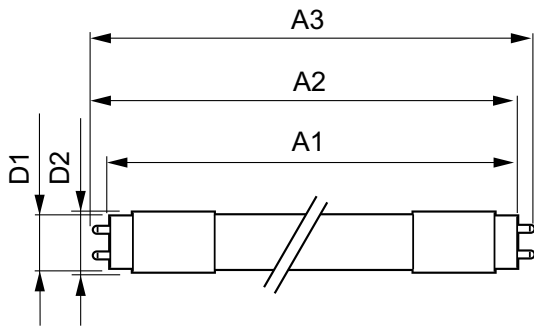
S19

LEDtube S14D FR

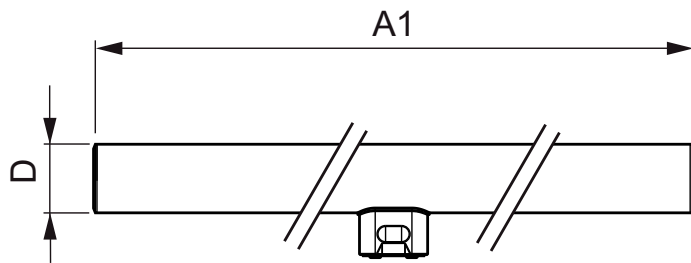
LEDtube S14D FR

G13

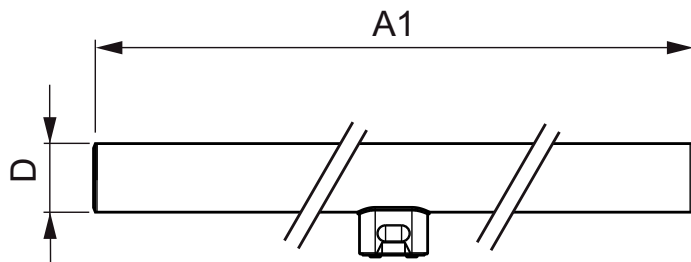
Dimensional drawing



Product	D1	D2	A1	A2	A3
14T8/48-840/1F21/VLC 10/1	25.7 mm	26.3 mm	1198.1 mm	1205.2 mm	1212.3 mm
14T8/48-835/1F20/VLC 10/1	25.7 mm	26.3 mm	1198.1 mm	1205.2 mm	1212.3 mm



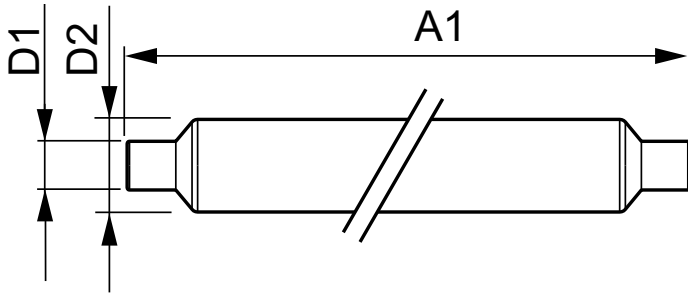
Product	D	A1
LED 4.5W 500mm S14D WW ND 1CT/4	30 mm	466.8 mm



Product	D	A1
LED 3W 300mm S14D WW ND 1CT/4	30 mm	266.8 mm

Other LEDtube

Dimensional drawing



Product	C	D
LED 6.5W 310mm S19 WW ND 1CT/4	310 mm	38 mm

Controls and Dimming

Dimmable	No
----------	----

Operating and Electrical

Starting Time (Nom)	0.5 s
---------------------	-------

General Information

Switching Cycle	50000X
-----------------	--------

Light Technical

LLmf At End Of Nominal Lifetime (Nom)	70 %
---------------------------------------	------

Temperature

T-Ambient (Max)	45 °C
T-Ambient (Min)	-20 °C
T-Storage (Max)	65 °C
T-Storage (Min)	-40 °C

Approval and Application

Order Code	Full Product Name	Energy Consumption kWh/1000 h	Energy Efficiency Label (EEL)
929001126730	LED 6.5W 310mm S19 WW ND 1CT/4	7 kWh	A+
929001249301	LED 3W 300mm S14D WW ND 1CT/4	3 kWh	A+
929001249401	LED 4.5W 500mm S14D WW ND 1CT/4	5 kWh	A+
929001870104	14T8/48-835/IF20/VLC 10/1	-	-
929001870204	14T8/48-840/IF21/VLC 10/1	-	-

Operating and Electrical

Order Code	Full Product Name	Input Frequency	Voltage (Nom)	Wattage Equivalent	Power (Rated)
929001126730	LED 6.5W 310mm S19 WW ND 1CT/4	50 to 60 Hz	220-240 V	-	6.5 W
929001249301	LED 3W 300mm S14D WW ND 1CT/4	50 to 60 Hz	220-240 V	35 W	3 W
929001249401	LED 4.5W 500mm S14D WW ND 1CT/4	50 to 60 Hz	220-240 V	60 W	4.5 W

Order Code	Full Product Name	Input Frequency	Voltage (Nom)	Wattage Equivalent	Power (Rated)
929001870104	14T8/48-835/IF20/VLC 10/1	20000-120000 Hz	120-277, 347 V	-	14 W
929001870204	14T8/48-840/IF21/VLC 10/1	20000-120000 Hz	120-277, 347 V	-	14 W

General Information

Other LEDtube

Order Code	Full Product Name	Cap-Base	Nominal Lifetime (Nom)	Rated Lifetime (Hours)
929001126730	LED 6.5W 310mm S19 WW ND 1CT/4	S19	15000 h	15000 h
929001249301	LED 3W 300mm S14D WW ND 1CT/4	S14D	15000 h	15000 h

Order Code	Full Product Name	Cap-Base	Nominal Lifetime (Nom)	Rated Lifetime (Hours)
929001249401	LED 4.5W 500mm S14D WW ND 1CT/4	S14D	15000 h	15000 h
929001870104	14T8/48-835/IF20/VLC 10/1	G13	70000 h	70000 h
929001870204	14T8/48-840/IF21/VLC 10/1	G13	70000 h	70000 h

Light Technical (1/2)

Order Code	Full Product Name	Beam Angle (Nom)	Color Code	Correlated Color Temperature (Nom)	Color Rendering Index (Nom)
929001126730	LED 6.5W 310mm S19 WW ND 1CT/4	-	827	2700 K	83
929001249301	LED 3W 300mm S14D WW ND 1CT/4	140 °	827	2700 K	83
929001249401	LED 4.5W 500mm S14D WW ND 1CT/4	140 °	827	2700 K	83

Order Code	Full Product Name	Beam Angle (Nom)	Color Code	Correlated Color Temperature (Nom)	Color Rendering Index (Nom)
929001870104	14T8/48-835/IF20/VLC 10/1	160 °	835	3500 K	82
929001870204	14T8/48-840/IF21/VLC 10/1	160 °	840	4000 K	82

Light Technical (2/2)

Order Code	Full Product Name	Luminous Flux (Nom)	Luminous Flux (Rated) (Nom)	Beam Angle
929001126730	LED 6.5W 310mm S19 WW ND 1CT/4	480 lm	480 lm	-
929001249301	LED 3W 300mm S14D WW ND 1CT/4	250 lm	250 lm	140 °
929001249401	LED 4.5W 500mm S14D WW ND 1CT/4	375 lm	375 lm	140 °

Order Code	Full Product Name	Luminous Flux (Nom)	Luminous Flux (Rated) (Nom)	Beam Angle
929001870104	14T8/48-835/IF20/VLC 10/1	2000 lm	2000 lm	160 °
929001870204	14T8/48-840/IF21/VLC 10/1	2100 lm	2100 lm	160 °

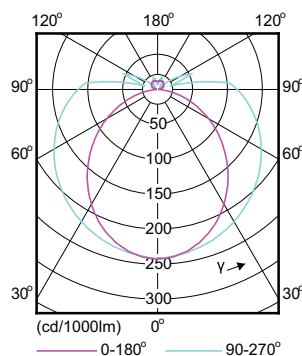
Mechanical and Housing

Order Code	Full Product Name	Bulb Finish
929001126730	LED 6.5W 310mm S19 WW ND 1CT/4	-
929001249301	LED 3W 300mm S14D WW ND 1CT/4	Frosted
929001249401	LED 4.5W 500mm S14D WW ND 1CT/4	Frosted

Order Code	Full Product Name	Bulb Finish
929001870104	14T8/48-835/IF20/VLC 10/1	-
929001870204	14T8/48-840/IF21/VLC 10/1	-

Temperature

Order Code	Full Product Name	T-Case Maximum (Nom)
929001126730	LED 6.5W 310mm S19 WW ND 1CT/4	45 °C
929001249301	LED 3W 300mm S14D WW ND 1CT/4	-
929001249401	LED 4.5W 500mm S14D WW ND 1CT/4	-
929001870104	14T8/48-835/IF20/VLC 10/1	50 °C
929001870204	14T8/48-840/IF21/VLC 10/1	50 °C



Other LEDtube

