

Description

Electronic transformers

A high frequency electronic transformer for operation with 12V halogen lamps. It is fully IEC compliant with unique compact size and light weight

优点

- High efficiency compared with magnetic transformer
- Flexible dimming with leading and trailing edge dimmers
- Environment friendly without Hum and Noise (<30dB at 1m distance)
- Easy lumi design with compact dimension

特点

- One universal driver which cover all market in APR (220~240V, 50/60Hz)
- Overheating protection
- Quick ignition time (<0.8s)
- 20k Hours @Tc=65°C with 90% survival
- Lead wire
- >0.95 power factor
- SELV

应用

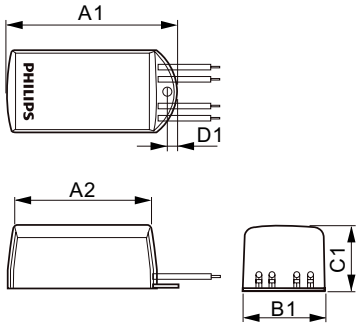
- Indoor residential: living rooms, decorative and accent lighting
- In professional areas: reception areas, offices, retail area and exhibition rooms

Electronic transformers

Versions



二维绘图



Product	D1	C1	A1	B1
ET-E 10 220-240V	4.4 mm	24.5 mm	76.0 mm	38.0 mm
ET-E 60 220-240V 50/60Hz	4.4 mm	24.5 mm	76.0 mm	38.0 mm

運作和電氣

輸入頻率	50 至 60 Hz
輸入電壓	220-240 V

基本資訊

Order Code	Full Product Name	燈具類型
913710031101	ET-E 60 220-240V 50/60Hz	LV Halogen

Order Code	Full Product Name	燈具類型
913710032179	ET-E 10 220-240V	-

系統特性

Order Code	Full Product Name	額定安定器 - 燈具功率
913710031101	ET-E 60 220-240V 50/60Hz	60 W

Order Code	Full Product Name	額定安定器 - 燈具功率
913710032179	ET-E 10 220-240V	10 W

Electronic transformers

