



HF-Essential II for TL5 and TL-D

HF-Essential II for TL5/TL-D

Essentially smart and reliable HF-Essential II is the most cost-effective solution for reliable operation of a fluorescent lamp. It is also the ideal entry-level product for electromagnetic system users who want to take advantage of the benefits provided by electronic ballasts. The cost-saving and reliable HF-Essential II is energy efficiency class A2, and its robust design meets all relevant international safety and performance standards. HF-Essential II is the ideal choice for a broad range of new construction and retrofit applications within the commercial sector, including general surface mounting and office lighting, parking garages, warehouses and other applications.

Benefits

- Average nominal service lifetime over 45,000 hours (at Ta 50 °C)
- Optimized lamp preheating for min. 25,000 on/off switch operations without replacement of lamps
- Has CE, KEMA, CCC marks of conformity

Features

- Multi-power technology for precision operation of multiple lamp types of various wattages
- Mono/Dual function: operation with 1 or 2 lamps
- Maximum reliability in system operation

Application

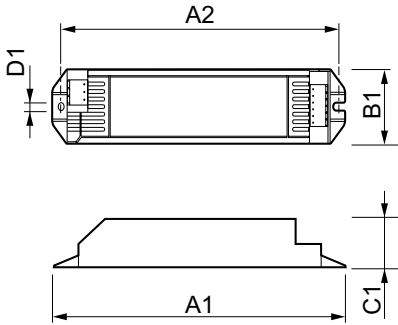
- Suitable for DC operation and emergency lighting installations
- Extended lamp life in frequent-switching applications without replacement of lamps, e.g. where occupancy sensors or motion detectors are used with 15 switches per day
- For luminaires of protection class I and protection class II used in office buildings, hospitals, supermarkets, department stores, and schools

HF-Essential II for TL5/TL-D

Versions



Dimensional drawing



Product	D1	C1	A1	A2	B1
HF-E 3/4 14 TL5 II 220-240V 50/60Hz	4.2 mm	26.0 mm	211.0 mm	198.0 mm	39.6 mm

