



Trusted performance. Every day.

Ledinaire panel

The Philips Ledinaire panel Gen5 (RC065B/RC066B) range features a selection of popular off-the-shelf LED luminaires that offer Philips high quality at a competitive price. Reliable, energy-efficient and affordable, this latest generation of 600 x 600 mm, 620 x 620 mm, 300 x 1200 mm, and 600 x 1200 Ledinaire LED panel lights are designed for diffuse, comfortable lighting in a wide range of general lighting applications. Our range of Ledinaire panels lighting is also available with accessories for easy installation on different types of ceilings—just what you need.

Benefits

- No risks, trusted performance
- Good quality, easy to use
- No confusion, easy product selection
- Innovative All-in multicolor and basic lighting control versions
- Broad range

Features

- 3400 lm/ 3600 lm / 4100 lm: L80 at 50K hrs, L70 75K hrs and 3-year warranty
- IP20/IP40
- Connectors: white quick connectors and flywire
- Sizes: 60 x 60 mm / 62 x 62 mm / 30 x 120 mm / 60 x 120 mm
- Color rendering: CRI 80 at SDCM <5
- 3000K / 3500K / 4000K / 6500K
- PSU / PSD
- Efficacy: 120Lm/W
- All-in: 3000K, 3500K, and 4000K in one luminaire
- Emergency lighting via standalone emergency lighting kit

Ledinaire panel

Application

- Offices
- Healthcare
- Education
- Municipal buildings
- Retail

Versions

Ledinaire Panel G5 30x120



Ledinaire panel G5 60x120



Ledinaire Panel PSU All-in
830_835_840 W60L60 OC



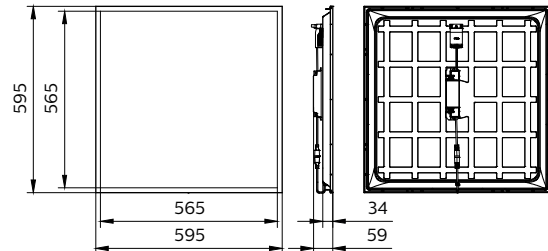
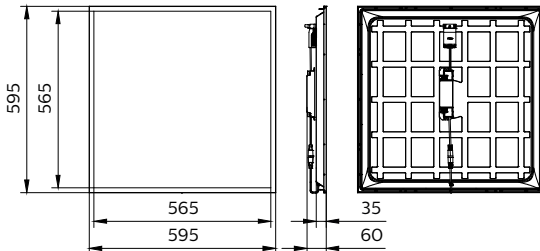
Ledinaire Panel All-in PSU 60x60



Ledinaire panel G4 W62L62

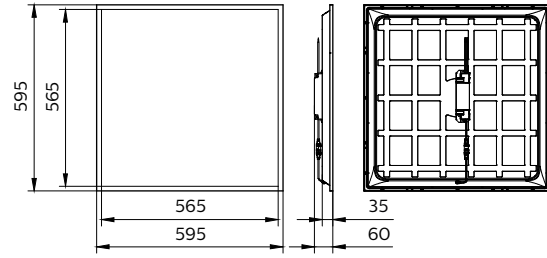
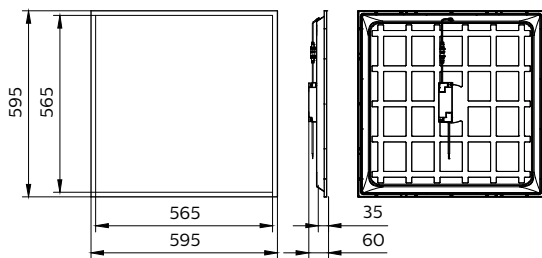
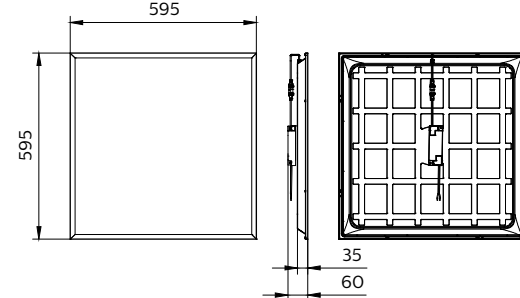
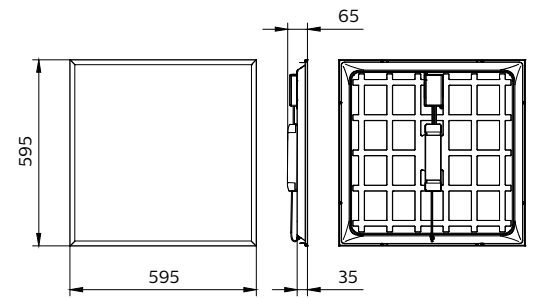
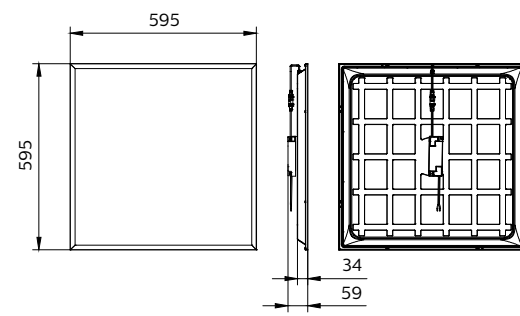
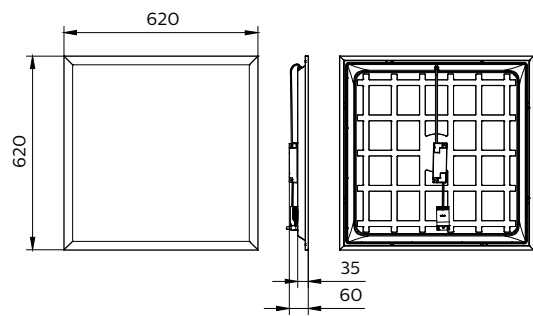
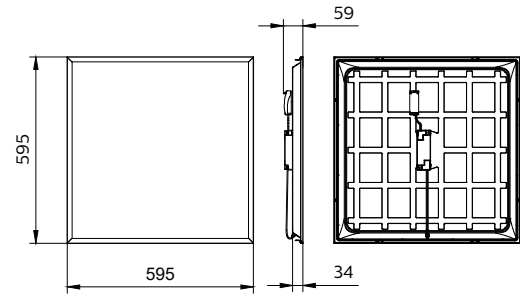
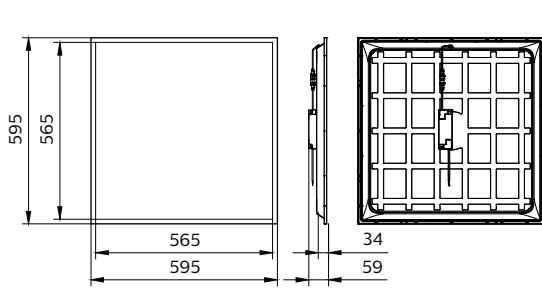


Dimensional drawing



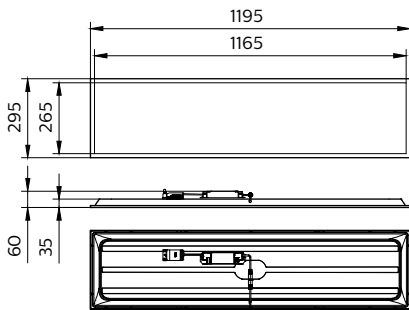
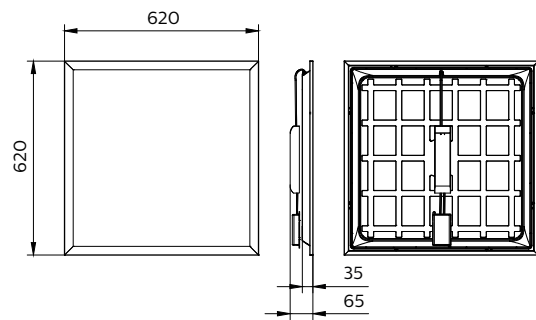
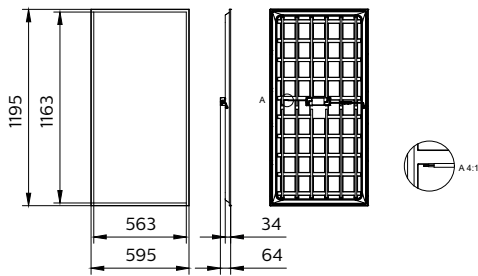
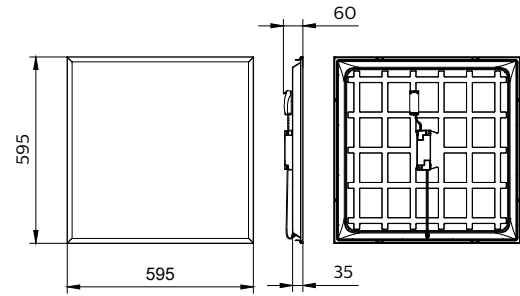
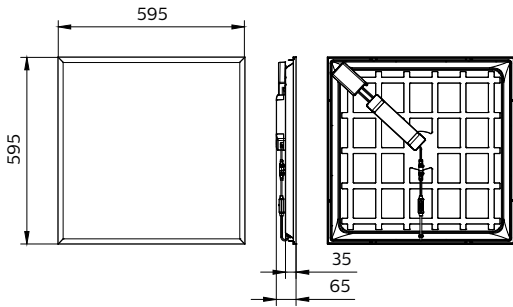
Ledinaire panel

Dimensional drawing



Ledinaire panel

Dimensional drawing



Product details

Ledinaire panel G4 Backside
W62L62



DC plug

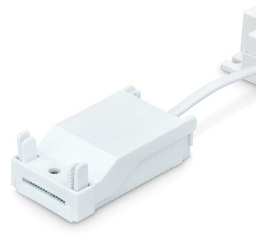


Ledinaire panel

Product details



Ledinaire Panel G5 All in CCT
Switch 3000K



White Quick connector-closed



Panel flywires CFW + backside
panel



Ledinaire Panel G5 All in CCT
Switch PSU ON OFF Driver Open
connector



Ledinaire Panel G5 PSD DALI
Driver Open connector



UGR22 optical exit window



Ledinaire Panel G5 PSD DALI
Driver Closed connector



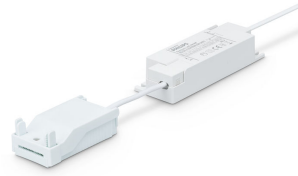
Ledinaire panel gen 4 PSD driver
and closed connector

Ledinaire panel

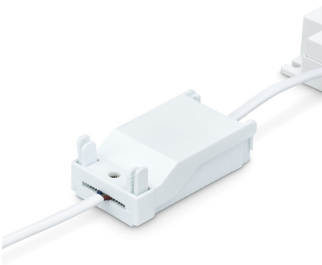
Product details



Ledinaire panel G5 frame and optical area 60x120



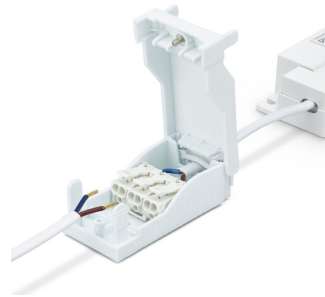
Ledinaire panel G4 Driver + connection wires



White Quick connector+wire-closed



Ledinaire Panel Gen 5-RC065B W60L120-backside



White Quick connector +wire-open



Ledinaire panel gen 4 PSU driver and open connector



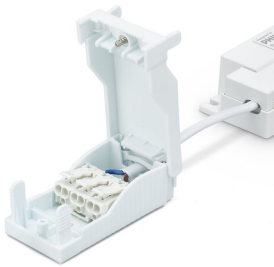
Panel front view



DC plug open with driver and panel

Ledinaire panel

Product details



White Quick connector-open



Ledinaire Panel RC065B G5
30x120 Packaging



Panel flywires CFW



Ledinaire panel G4 Backside
W60L60



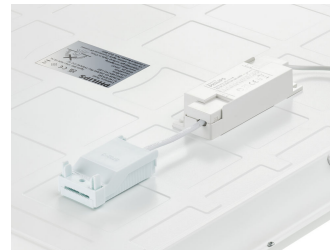
Ledinaire Panel RC065B Square
backside



Ledinaire panel G4_BN frame and
optical area 62x62



Ledinaire Panel Gen 5-
RC065B_RC066B Square-
backside-PSU driver and
connector



Ledinaire Panel Gen 5-
RC065B_RC066B Square-
backside



Ledinaire Panel RC065B G5 PSU
30x120 Backside



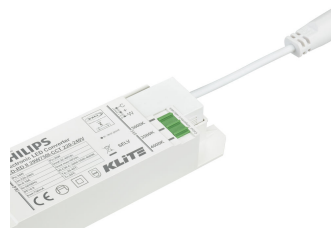
Ledinaire Panel G5 All in CCT
Switch PSU ON OFF Driver Closed
connector

Ledinaire panel

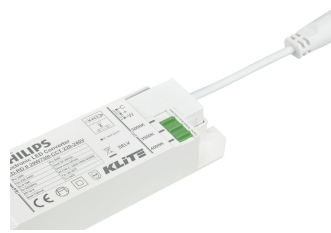
Product details



DC plug closed with driver and panel



Ledinaire Panel G5 All in CCT Switch 3500K



Ledinaire Panel G5 All in CCT Switch 4000K



Ledinaire panel gen 4 PSD driver and open connector



UGR19 optical exit window



Ledinaire Panel 4100lm backside



Ledinaire Panel Gen 5-RC065B W60L120-backside-PSU driver and Flywire



Ledinaire panel gen 4 PSU driver and closed connector



Multicolour switch panel, CCT switch panel

Ledinaire panel

Product details



Ledinaire Panel Gen 5-
RC065B_RC066B Square-
backside-PSU driver and
connector



Multicolour switch panel, CCT
switch panel

General Information

Driver included	Yes
Flammability mark	For mounting on normally flammable surfaces
Glow-wire test	Temperature 650 °C, duration 30 s
Number of gear units	1 unit

Light Technical

Flickering value (PstLM) - Flickering value as per EN 61000-3-3	1
---	---

Operating and Electrical

Line Frequency	50 or 60 Hz
----------------	-------------

Mechanical and Housing

Housing Color	White
---------------	-------

Approval and Application

Protection class IEC	Safety class II
Mech. impact protection code	IK02

General Information

Order Code	Full Product Name	ENEC		Light source replaceable	Service tag
		CE mark	mark		
36926699	RC065B LED41S/840 PSU W60L60 NOC	Yes	-	No	No
53064599	RC065B LED34S/840 PSD W60L60 OC	Yes	-	No	-
53065299	RC065B LED34S/830 PSU W60L60 OC	Yes	-	No	-
53066999	RC065B LED34S/830 PSU W60L60 NOC	Yes	-	No	-
50129499	RC066B LED34S/840 PSD W62L62 OC BN	Yes	-	No	-
38647499	RC065B LED34S/840 PSU W60L60 OC	Yes	-	No	No
36204599	RC065B LED34S/865 PSU W60L60 OC	Yes	-	No	No
79180399	RC065B LED34S/840 PSU W60L60 NOC	Yes	-	No	No
36206999	RC065B LED34S/865 PSU W60L60 NOC	Yes	-	No	No
51698499	RC065B G5 34_36S/830_40 PSU 30x120 OC SC	CE mark	-	-	-
50126399	RC065B LED34S/840 PSU W60L60 OC BN	Yes	-	No	-
51067899	RC065B LED34S/840 PSU W60L60 OC BN6	Yes	-	No	-
50127099	RC065B LED34S/840 PSU W60L60 NOC BN	Yes	-	No	-
51068599	RC065B LED34S/840 PSU W60L60 NOC BN6	Yes	-	No	-
50169099	RC065B LED34S/830_835_840 PSD W60L60 OC	Yes	-	No	-
51669499	RC065B G5 60S/840 PSU 60x120 NOC TPb CFW	CE mark	-	-	-
51672499	RC065B G5 34_36S/830_40 PSU W60L60 OC SC	CE mark	-	-	-
51673199	RC065B G5 34_36S/830_40 PSU 60x60 NOC SC	CE mark	-	-	-
51653399	RC065B G5 34S/865 PSU W60L60 OC CFW	CE mark	-	-	-
51656499	RC065B G5 34S/865 PSU W60L60 NOC CFW	CE mark	-	-	-
51657199	RC065B G5 34S/840 PSD W60L60 OC CFW	CE mark	-	-	-
51659599	RC065B G5 41S/840 PSU W60L60 NOC CFW	CE mark	-	-	-
51660199	RC065B G5 41S/840 PSU W60L60 OC CFW	CE mark	-	-	-
51661899	RC065B G5 41S/840 PSU W60L60 NOC CFW CL	CE mark	-	-	-
51662599	RC065B G5 41S/840 PSU W60L60 OC CFW CL	CE mark	-	-	-
50128799	RC066B LED34S/840 PSU W62L62 OC BN	Yes	ENEC mark	No	-

Ledinaire panel

Light Technical (1/2)

Order Code	Full Product Name	All-in Type	Beam angle of light source	Correlated Color Temperature (Nom)	Color rendering index (CRI)
36926699	RC065B LED41S/840 PSU W60L60 NOC	-	-	4000 K	≥80
53064599	RC065B LED34S/840 PSD W60L60 OC	-	-	4000 K	≥80
53065299	RC065B LED34S/830 PSU W60L60 OC	-	-	3000 K	≥80
53066999	RC065B LED34S/830 PSU W60L60 NOC	-	-	3000 K	≥80
50129499	RC066B LED34S/840 PSD W62L62 OC BN	-	-	4000 K	≥80
38647499	RC065B LED34S/840 PSU W60L60 OC	-	-	4000 K	≥80
36204599	RC065B LED34S/865 PSU W60L60 OC	-	-	6500 K	≥80
79180399	RC065B LED34S/840 PSU W60L60 NOC	-	-	4000 K	≥80
36206999	RC065B LED34S/865 PSU W60L60 NOC	-	-	6500 K	≥80
51698499	RC065B G5 34_36S/830_40 PSU 30x120 OC SC	All-in, Multi Color Temperature	90 degree(s)	3000 K	80
50126399	RC065B LED34S/840 PSU W60L60 OC BN	-	-	4000 K	≥80
51067899	RC065B LED34S/840 PSU W60L60 OC BN6	-	-	4000 K	≥80
50127099	RC065B LED34S/840 PSU W60L60 NOC BN	-	-	4000 K	≥80
51068599	RC065B LED34S/840 PSU W60L60 NOC BN6	-	-	4000 K	≥80

Order Code	Full Product Name	All-in Type	Beam angle of light source	Correlated Color Temperature (Nom)	Color rendering index (CRI)
50169099	RC065B LED34S/ 830_835_840 PSD W60L60 OC	-	-	3000 K	≥80
51669499	RC065B G5 60S/840 PSU 60x120 NOC TPb CFW	-	120 degree(s)	4000 K	80
51672499	RC065B G5 34_36S/830_40 PSU W60L60 OC SC	All-in, Multi Color Temperature	90 degree(s)	3000 K	80
51673199	RC065B G5 34_36S/830_40 PSU 60x60 NOC SC	All-in, Multi Color Temperature	120 degree(s)	3000 K	80
51653399	RC065B G5 34S/865 PSU W60L60 OC CFW	-	90 degree(s)	6500 K	80
51656499	RC065B G5 34S/865 PSU W60L60 NOC CFW	-	120 degree(s)	6500 K	80
51657199	RC065B G5 34S/840 PSD W60L60 OC CFW	-	90 degree(s)	4000 K	80
51659599	RC065B G5 41S/840 PSU W60L60 NOC CFW	-	120 degree(s)	4000 K	80
51660199	RC065B G5 41S/840 PSU W60L60 OC CFW	-	90 degree(s)	4000 K	80
51661899	RC065B G5 41S/840 PSU W60L60 NOC CFW CL	-	120 degree(s)	4000 K	80
51662599	RC065B G5 41S/840 PSU W60L60 OC CFW CL	-	90 degree(s)	4000 K	80
50128799	RC066B LED34S/840 PSU W62L62 OC BN	-	-	4000 K	≥80

Light Technical (2/2)

Ledinaire panel

Order Code	Full Product Name	Luminous Efficacy (rated) (Nom)	Luminous Flux	Optic type	Stroboscopic effect
					visibility measure (SVM)
36926699	RC065B LED41S/840 PSU W60L60 NOC	93 lm/W	4,100 lm	Beam angle 120°	0.4
53064599	RC065B LED34S/840 PSD W60L60 OC	100 lm/W	3,400 lm	Beam angle 90°	0.4
53065299	RC065B LED34S/830 PSU W60L60 OC	100 lm/W	3,400 lm	Beam angle 90°	0.4
53066999	RC065B LED34S/830 PSU W60L60 NOC	100 lm/W	3,400 lm	Beam angle 120°	0.4
50129499	RC066B LED34S/840 PSD W62L62 OC BN	100 lm/W	3,400 lm	Beam angle 90°	0.4
38647499	RC065B LED34S/840 PSU W60L60 OC	100 lm/W	3,400 lm	Beam angle 90°	0.4
36204599	RC065B LED34S/865 PSU W60L60 OC	100 lm/W	3,400 lm	Beam angle 90°	0.4
79180399	RC065B LED34S/840 PSU W60L60 NOC	100 lm/W	3,400 lm	Beam angle 120°	0.4
36206999	RC065B LED34S/865 PSU W60L60 NOC	100 lm/W	3,400 lm	Beam angle 120°	0.4
51698499	RC065B G5 34_36S/ 830_40 PSU 30x120 OC SC	120 lm/W	3,400 lm	Beam angle 90°	-
50126399	RC065B LED34S/840 PSU W60L60 OC BN	100 lm/W	3,400 lm	Beam angle 90°	0.4
51067899	RC065B LED34S/840 PSU W60L60 OC BN6	100 lm/W	3,400 lm	Beam angle 90°	0.4
50127099	RC065B LED34S/840 PSU W60L60 NOC BN	100 lm/W	3,400 lm	Beam angle 120°	0.4

Order Code	Full Product Name	Luminous Efficacy (rated) (Nom)	Luminous Flux	Optic type	Stroboscopic effect
					visibility measure (SVM)
51068599	RC065B LED34S/840 PSU W60L60 NOC BN6	100 lm/W	3,400 lm	Beam angle 120°	0.4
50169099	RC065B LED34S/ 830_835_840 PSD W60L60 OC	100 lm/W	3,400 lm	Beam angle 90°	0.4
51669499	RC065B G5 60S/840 PSU 60x120 NOC TPb CFW	120 lm/W	6,000 lm	Beam angle 120°	-
51672499	RC065B G5 34_36S/ 830_40 PSU W60L60 OC SC	120 lm/W	3,400 lm	Beam angle 90°	-
51673199	RC065B G5 34_36S/ 830_40 PSU 60x60 NOC SC	120 lm/W	3,400 lm	Beam angle 120°	-
51653399	RC065B G5 34S/865 PSU W60L60 OC CFW	120 lm/W	3,400 lm	Beam angle 90°	-
51656499	RC065B G5 34S/865 PSU W60L60 NOC CFW	120 lm/W	3,400 lm	Beam angle 120°	-
51657199	RC065B G5 34S/840 PSD W60L60 OC CFW	120 lm/W	3,400 lm	Beam angle 90°	-
51659599	RC065B G5 41S/840 PSU W60L60 NOC CFW	120 lm/W	4,100 lm	Beam angle 120°	-
51660199	RC065B G5 41S/840 PSU W60L60 OC CFW	120 lm/W	4,100 lm	Beam angle 90°	-
51661899	RC065B G5 41S/840 PSU W60L60 NOC CFW CL	120 lm/W	4,100 lm	Beam angle 120°	-
51662599	RC065B G5 41S/840 PSU W60L60 OC CFW CL	120 lm/W	4,100 lm	Beam angle 90°	-
50128799	RC066B LED34S/840 PSU W62L62 OC BN	100 lm/W	3,400 lm	Beam angle 90°	0.4

Operating and Electrical

Order Code	Full Product Name	Power	
		Input Voltage	Consumption
36926699	RC065B LED41S/840 PSU W60L60 NOC	220-240 V	44 W
53064599	RC065B LED34S/840 PSD W60L60 OC	220-240 V	34 W

Order Code	Full Product Name	Power	
		Input Voltage	Consumption
53065299	RC065B LED34S/830 PSU W60L60 OC	220-240 V	34 W
53066999	RC065B LED34S/830 PSU W60L60 NOC	220-240 V	34 W

Ledinaire panel

Order Code	Full Product Name	Input Voltage	Power	
			Consumption	
50129499	RC066B LED34S/840 PSD W62L62 OC BN	220-240 V	34 W	
38647499	RC065B LED34S/840 PSU W60L60 OC	220-240 V	34 W	
36204599	RC065B LED34S/865 PSU W60L60 OC	220-240 V	34 W	
79180399	RC065B LED34S/840 PSU W60L60 NOC	220-240 V	34 W	
36206999	RC065B LED34S/865 PSU W60L60 NOC	220-240 V	34 W	
51698499	RC065B G5 34_36S/830_40 PSU 30x120 OC SC	220 to 240 V	28 W	
50126399	RC065B LED34S/840 PSU W60L60 OC BN	220-240 V	34 W	
51067899	RC065B LED34S/840 PSU W60L60 OC BN6	220-240 V	34 W	
50127099	RC065B LED34S/840 PSU W60L60 NOC BN	220-240 V	34 W	
51068599	RC065B LED34S/840 PSU W60L60 NOC BN6	220-240 V	34 W	
50169099	RC065B LED34S/830_835_840 PSD W60L60 OC	220-240 V	34 W	

Order Code	Full Product Name	Input Voltage	Power	
			Consumption	
51669499	RC065B G5 60S/840 PSU 60x120 NOC TPb CFW	220 to 240 V	50 W	
51672499	RC065B G5 34_36S/830_40 PSU W60L60 OC SC	220 to 240 V	28 W	
51673199	RC065B G5 34_36S/830_40 PSU 60x60 NOC SC	220 to 240 V	28 W	
51653399	RC065B G5 34S/865 PSU W60L60 OC CFW	220 to 240 V	28 W	
51656499	RC065B G5 34S/865 PSU W60L60 NOC CFW	220 to 240 V	28 W	
51657199	RC065B G5 34S/840 PSD W60L60 OC CFW	220 to 240 V	28 W	
51659599	RC065B G5 41S/840 PSU W60L60 NOC CFW	220 to 240 V	34 W	
51660199	RC065B G5 41S/840 PSU W60L60 OC CFW	220 to 240 V	34 W	
51661899	RC065B G5 41S/840 PSU W60L60 NOC CFW CL	220 to 240 V	34 W	
51662599	RC065B G5 41S/840 PSU W60L60 OC CFW CL	220 to 240 V	34 W	
50128799	RC066B LED34S/840 PSU W62L62 OC BN	220-240 V	34 W	

Temperature

Order Code	Full Product Name	Ambient temperature range
36926699	RC065B LED41S/840 PSU W60L60 NOC	-10 to +25 °C
53064599	RC065B LED34S/840 PSD W60L60 OC	-10 to +25 °C
53065299	RC065B LED34S/830 PSU W60L60 OC	-10 to +25 °C
53066999	RC065B LED34S/830 PSU W60L60 NOC	-10 to +25 °C
50129499	RC066B LED34S/840 PSD W62L62 OC BN	-10 to +35 °C
38647499	RC065B LED34S/840 PSU W60L60 OC	-10 to +25 °C
36204599	RC065B LED34S/865 PSU W60L60 OC	-10 to +25 °C
79180399	RC065B LED34S/840 PSU W60L60 NOC	-10 to +25 °C
36206999	RC065B LED34S/865 PSU W60L60 NOC	-10 to +25 °C
51698499	RC065B G5 34_36S/830_40 PSU 30x120 OC SC	-10 to +35 °C
50126399	RC065B LED34S/840 PSU W60L60 OC BN	-10 to +35 °C
51067899	RC065B LED34S/840 PSU W60L60 OC BN6	-10 to +35 °C
50127099	RC065B LED34S/840 PSU W60L60 NOC BN	-10 to +35 °C
51068599	RC065B LED34S/840 PSU W60L60 NOC BN6	-10 to +35 °C
50169099	RC065B LED34S/830_835_840 PSD W60L60 OC	-10 to +35 °C

Order Code	Full Product Name	Ambient temperature range
51669499	RC065B G5 60S/840 PSU 60x120 NOC TPb CFW	-10 to +35 °C
51672499	RC065B G5 34_36S/830_40 PSU W60L60 OC SC	-10 to +35 °C
51673199	RC065B G5 34_36S/830_40 PSU 60x60 NOC SC	-10 to +35 °C
51653399	RC065B G5 34S/865 PSU W60L60 OC CFW	-10 to +35 °C
51656499	RC065B G5 34S/865 PSU W60L60 NOC CFW	-10 to +35 °C
51657199	RC065B G5 34S/840 PSD W60L60 OC CFW	-10 to +35 °C
51659599	RC065B G5 41S/840 PSU W60L60 NOC CFW	-10 to +35 °C
51660199	RC065B G5 41S/840 PSU W60L60 OC CFW	-10 to +35 °C
51661899	RC065B G5 41S/840 PSU W60L60 NOC CFW CL	-10 to +35 °C
51662599	RC065B G5 41S/840 PSU W60L60 OC CFW CL	-10 to +35 °C
50128799	RC066B LED34S/840 PSU W62L62 OC BN	-10 to +35 °C

Controls and Dimming

Order Code	Full Product Name	Dimmable
36926699	RC065B LED41S/840 PSU W60L60 NOC	No
53064599	RC065B LED34S/840 PSD W60L60 OC	Yes

Order Code	Full Product Name	Dimmable
53065299	RC065B LED34S/830 PSU W60L60 OC	No
53066999	RC065B LED34S/830 PSU W60L60 NOC	No

Ledinaire panel

Order Code	Full Product Name	Dimmable
50129499	RC066B LED34S/840 PSD W62L62 OC BN	Yes
38647499	RC065B LED34S/840 PSU W60L60 OC	No
36204599	RC065B LED34S/865 PSU W60L60 OC	No
79180399	RC065B LED34S/840 PSU W60L60 NOC	No
36206999	RC065B LED34S/865 PSU W60L60 NOC	No
51698499	RC065B G5 34_36S/830_40 PSU 30x120 OC SC	No
50126399	RC065B LED34S/840 PSU W60L60 OC BN	No
51067899	RC065B LED34S/840 PSU W60L60 OC BN6	No
50127099	RC065B LED34S/840 PSU W60L60 NOC BN	No
51068599	RC065B LED34S/840 PSU W60L60 NOC BN6	No
50169099	RC065B LED34S/830_835_840 PSD W60L60 OC	Yes

Order Code	Full Product Name	Dimmable
51669499	RC065B G5 60S/840 PSU 60x120 NOC TPb CFW	No
51672499	RC065B G5 34_36S/830_40 PSU W60L60 OC SC	No
51673199	RC065B G5 34_36S/830_40 PSU 60x60 NOC SC	No
51653399	RC065B G5 34S/865 PSU W60L60 OC CFW	No
51656499	RC065B G5 34S/865 PSU W60L60 NOC CFW	No
51657199	RC065B G5 34S/840 PSD W60L60 OC CFW	Yes
51659599	RC065B G5 41S/840 PSU W60L60 NOC CFW	No
51660199	RC065B G5 41S/840 PSU W60L60 OC CFW	No
51661899	RC065B G5 41S/840 PSU W60L60 NOC CFW CL	No
51662599	RC065B G5 41S/840 PSU W60L60 OC CFW CL	No
50128799	RC066B LED34S/840 PSU W62L62 OC BN	No

Approval and Application

Order Code	Full Product Name	Ingress protection code
36926699	RC065B LED41S/840 PSU W60L60 NOC	IP20
53064599	RC065B LED34S/840 PSD W60L60 OC	IP20
53065299	RC065B LED34S/830 PSU W60L60 OC	IP20
53066999	RC065B LED34S/830 PSU W60L60 NOC	IP20
50129499	RC066B LED34S/840 PSD W62L62 OC BN	IP20
38647499	RC065B LED34S/840 PSU W60L60 OC	IP20
36204599	RC065B LED34S/865 PSU W60L60 OC	IP20
79180399	RC065B LED34S/840 PSU W60L60 NOC	IP20
36206999	RC065B LED34S/865 PSU W60L60 NOC	IP20
51698499	RC065B G5 34_36S/830_40 PSU 30x120 OC SC	IP20/40
50126399	RC065B LED34S/840 PSU W60L60 OC BN	IP20
51067899	RC065B LED34S/840 PSU W60L60 OC BN6	IP20
50127099	RC065B LED34S/840 PSU W60L60 NOC BN	IP20

Order Code	Full Product Name	Ingress protection code
51068599	RC065B LED34S/840 PSU W60L60 NOC BN6	IP20
50169099	RC065B LED34S/830_835_840 PSD W60L60 OC	IP20
51669499	RC065B G5 60S/840 PSU 60x120 NOC TPb CFW	IP20/40
51672499	RC065B G5 34_36S/830_40 PSU W60L60 OC SC	IP20/40
51673199	RC065B G5 34_36S/830_40 PSU 60x60 NOC SC	IP20/40
51653399	RC065B G5 34S/865 PSU W60L60 OC CFW	IP20/40
51656499	RC065B G5 34S/865 PSU W60L60 NOC CFW	IP20/40
51657199	RC065B G5 34S/840 PSD W60L60 OC CFW	IP20/40
51659599	RC065B G5 41S/840 PSU W60L60 NOC CFW	IP20/40
51660199	RC065B G5 41S/840 PSU W60L60 OC CFW	IP20/40
51661899	RC065B G5 41S/840 PSU W60L60 NOC CFW CL	IP20/40
51662599	RC065B G5 41S/840 PSU W60L60 OC CFW CL	IP20/40
50128799	RC066B LED34S/840 PSU W62L62 OC BN	IP20

Initial Performance (IEC Compliant)

Order Code	Full Product Name	Initial chromaticity	Luminous flux tolerance
36926699	RC065B LED41S/840 PSU W60L60 NOC	(0.38, 0.38) SDCM≤5	+/-10%
53064599	RC065B LED34S/840 PSD W60L60 OC	(0.38, 0.38) SDCM≤5	+/-10%
53065299	RC065B LED34S/830 PSU W60L60 OC	(0.43, 0.40) SDCM≤5	+/-10%
53066999	RC065B LED34S/830 PSU W60L60 NOC	(0.43, 0.40) SDCM≤5	+/-10%
50129499	RC066B LED34S/840 PSD W62L62 OC BN	(0.38, 0.38) SDCM ≤5	+/-10%
38647499	RC065B LED34S/840 PSU W60L60 OC	(0.38, 0.38) SDCM≤5	+/-10%
36204599	RC065B LED34S/865 PSU W60L60 OC	(0.31, 0.33) SDCM≤5	+/-10%
79180399	RC065B LED34S/840 PSU W60L60 NOC	(0.38, 0.38) SDCM≤5	+/-10%
36206999	RC065B LED34S/865 PSU W60L60 NOC	(0.31, 0.33) SDCM≤5	+/-10%

Order Code	Full Product Name	Initial chromaticity	Luminous flux tolerance
51698499	RC065B G5 34_36S/830_40 PSU 30x120 OC SC	(0.43, 0.40) SDCM ≤5(0.38, 0.38) SDCM ≤5	-10% / +10%
50126399	RC065B LED34S/840 PSU W60L60 OC BN	(0.38, 0.38) SDCM ≤5	+/-10%
51067899	RC065B LED34S/840 PSU W60L60 OC BN6	(0.38, 0.38) SDCM ≤5	+/-10%
50127099	RC065B LED34S/840 PSU W60L60 NOC BN	(0.38, 0.38) SDCM ≤5	+/-10%
51068599	RC065B LED34S/840 PSU W60L60 NOC BN6	(0.38, 0.38) SDCM ≤5	+/-10%
50169099	RC065B LED34S/830_835_840 PSD W60L60 OC	(0.38, 0.38) SDCM ≤5	+/-10%
51669499	RC065B G5 60S/840 PSU 60x120 NOC TPb CFW	(0.38, 0.38) SDCM ≤5	-10% / +10%
51672499	RC065B G5 34_36S/830_40 PSU W60L60 OC SC	(0.43, 0.40) SDCM ≤5(0.38, 0.38) SDCM ≤5	-10% / +10%
51673199	RC065B G5 34_36S/830_40 PSU 60x60 NOC SC	(0.43, 0.40) SDCM ≤5(0.38, 0.38) SDCM ≤5	-10% / +10%

Ledinaire panel

Order Code	Full Product Name	Initial chromaticity	Luminous flux tolerance
51653399	RC065B G5 34S/865 PSU W60L60 OC CFW	(0.31, 0.33) SDCM ≤5	-10% / +10%
51656499	RC065B G5 34S/865 PSU W60L60 NOC CFW	(0.31, 0.33) SDCM ≤5	-10% / +10%
51657199	RC065B G5 34S/840 PSD W60L60 OC CFW	(0.38, 0.38) SDCM ≤5	-10% / +10%
51659599	RC065B G5 41S/840 PSU W60L60 NOC CFW	(0.38, 0.38) SDCM ≤5	-10% / +10%

Order Code	Full Product Name	Initial chromaticity	Luminous flux tolerance
51660199	RC065B G5 41S/840 PSU W60L60 OC CFW	(0.38, 0.38) SDCM ≤5	-10% / +10%
51661899	RC065B G5 41S/840 PSU W60L60 NOC CFW CL	(0.38, 0.38) SDCM ≤5	-10% / +10%
51662599	RC065B G5 41S/840 PSU W60L60 OC CFW CL	(0.38, 0.38) SDCM ≤5	-10% / +10%
50128799	RC066B LED34S/840 PSU W62L62 OC BN	(0.38, 0.38) SDCM ≤5	+/-10%

Application Conditions

Order Code	Full Product Name	Maximum dim level	Suitable for random switching
36926699	RC065B LED41S/840 PSU W60L60 NOC	-	Yes
53064599	RC065B LED34S/840 PSD W60L60 OC	10%	Yes
53065299	RC065B LED34S/830 PSU W60L60 OC	-	Yes
53066999	RC065B LED34S/830 PSU W60L60 NOC	-	Yes
50129499	RC066B LED34S/840 PSD W62L62 OC BN	3%	Yes
38647499	RC065B LED34S/840 PSU W60L60 OC	-	Not applicable
36204599	RC065B LED34S/865 PSU W60L60 OC	-	Not applicable
79180399	RC065B LED34S/840 PSU W60L60 NOC	-	Yes
36206999	RC065B LED34S/865 PSU W60L60 NOC	-	Yes
51698499	RC065B G5 34_36S/830_40 PSU 30x120 OC SC	Not applicable	Not applicable
50126399	RC065B LED34S/840 PSU W60L60 OC BN	-	Yes
51067899	RC065B LED34S/840 PSU W60L60 OC BN6	-	Yes
50127099	RC065B LED34S/840 PSU W60L60 NOC BN	-	Yes
51068599	RC065B LED34S/840 PSU W60L60 NOC BN6	-	Yes

Order Code	Full Product Name	Maximum dim level	Suitable for random switching
50169099	RC065B LED34S/830_835_840 PSD W60L60 OC	3%	Yes
51669499	RC065B G5 60S/840 PSU 60x120 NOC TPb CFW	Not applicable	Not applicable
51672499	RC065B G5 34_36S/830_40 PSU W60L60 OC SC	Not applicable	Not applicable
51673199	RC065B G5 34_36S/830_40 PSU 60x60 NOC SC	Not applicable	Not applicable
51653399	RC065B G5 34S/865 PSU W60L60 OC CFW	Not applicable	Not applicable
51656499	RC065B G5 34S/865 PSU W60L60 NOC CFW	Not applicable	Not applicable
51657199	RC065B G5 34S/840 PSD W60L60 OC CFW	1%	Not applicable
51659599	RC065B G5 41S/840 PSU W60L60 NOC CFW	Not applicable	Not applicable
51660199	RC065B G5 41S/840 PSU W60L60 OC CFW	Not applicable	Not applicable
51661899	RC065B G5 41S/840 PSU W60L60 NOC CFW CL	Not applicable	Not applicable
51662599	RC065B G5 41S/840 PSU W60L60 OC CFW CL	Not applicable	Not applicable
50128799	RC066B LED34S/840 PSU W62L62 OC BN	-	Yes

