



Product Description

SPOTONE PAR38

Pressed-glass 121 mm diameter reflector lamps of high luminous intensity

优点

- Produces the same useful light as conventional PAR lamps at 20% lower energy

特点

- Spot versions have a stippled front reflector producing a narrow homogeneous beam
- Flood versions have a front refractor composed of prismatic elements
- PAR38 ECONOMY lamps have a lifetime of 2000 hours

应用

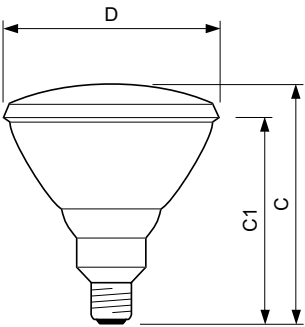
- Can be used indoors and outdoors, or wherever blownbulb reflector lamps would be too vulnerable
- Indoors: shops, window displays, homes, hotels, restaurants, theatres, museums, exhibitions and buildings
- Outdoors: floodlighting, advertising signs, buildings, statues, podiums, sports grounds, parks and gardens
- 24V/120W spot is ideal for applications requiring very high illuminance levels, or where safety is essential, e.g. garden lighting
- Can be installed outdoors without any protection, provided they are used in a watertight lampholder
- For outdoor use, a heat-resistant rubber ring must be fitted between the lamp and the lampholder

SPOTONE PAR38

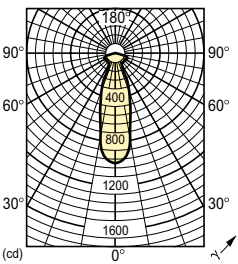
Versions



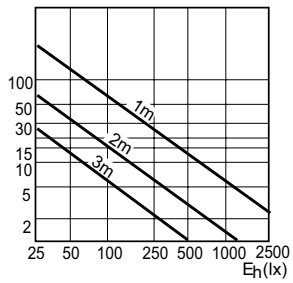
二维绘图



Product	D (max)	C (max)
PAR38 80W E27 220-240V SP 1CT/15	123 mm	137 mm



Accent Diagrams



SPOTONE PAR38

Beam Diagrams

