



## Product Description

### PARTYTONE PAR38 Colour

Coloured pressed-glass 121 mm diameter reflector lamp

#### Benefits

- Gives striking decorative effects, both indoors and outdoors
- 20% lower power consumption compared with conventional coloured PAR lamps

#### Features

- Weatherproof silicon lacquer coating on the refractor face in a choice of colours
- Flood beam width

#### Application

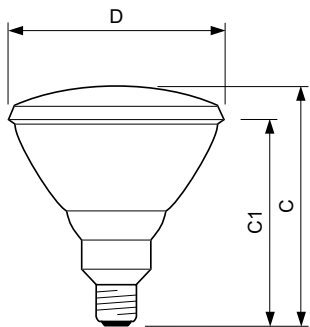
- Parks, public and private gardens
- Festive illumination
- Restaurants, bars, dance halls, nightclubs
- Show-window displays, fountains and 'Son et Lumiere' spectacles
- Can be installed outdoors without any protection, provided they are used in a watertight lampholder
- For outdoor use, a heat-resistant rubber ring must be fitted between the lamp and the lampholder

# PARTYTONE PAR38 Colour

## Versions



## Dimensional drawing



Product	D	C (max)
PARTYTONE 80W E27 240V PAR38 Red 1CT/6	122.5 mm	137 mm
PARTYTONE 80W E27 240V PAR38 Green 1CT/6	122.5 mm	137 mm

### Controls and Dimming

Dimmable	Yes
----------	-----

### Operating and Electrical

Voltage (Nom)	240 V
Power (Rated) (Nom)	80 W
Starting Time (Nom)	0.0 s

### General Information

Cap-Base	E27
Nominal Lifetime (Nom)	2000 h
Operating Position	UNIVERSAL
Rated Lifetime (Hours)	2000 h

### Mechanical and Housing

Bulb Shape	PAR38
------------	-------

### Mechanical and Housing

Order Code	Full Product Name	Bulb Finish
17216300	PARTYTONE 80W E27 240V PAR38 Green 1CT/6	Green
17217000	PARTYTONE 80W E27 240V PAR38 Red 1CT/6	Red

## PARTYTONE PAR38 Colour

