



Philips ClassicStreet: echoing the past, shaped for the future

ClassicStreet

Evoking the iconic beauty of 20th-century street lanterns, Philips ClassicStreet combines elegant design with the subtle details of heritage luminaires - all while meeting today's urban lighting requirements. Designed around LED, ClassicStreet delivers outstanding levels of lighting and energy performance for street lighting or road lighting, thanks to the Philips LEDGINE-O engine and application-tailored optics. Its gently curved design, together with dedicated brackets and poles, creates a contemporary look that beautifies cities, creating distinctive and warm night and daytime ambiances. Not only in traditional architectural settings, but in modern urban environments too. This contemporary street lighting solution features a Philips System ready (SR) socket, making it future ready to be paired with standalone or advanced control and lighting software applications such as Interact from Signify. ClassicStreet luminaires can also be equipped with our dedicated light recipes that preserve dark skies. In addition, every ClassicStreet luminaire is uniquely identifiable, thanks to the Signify Service tag app. By simply scanning a QR code, placed inside the door of the mast or directly on the luminaire, you can instantly access the configuration of the luminaire. This makes maintenance and programming operations faster and easier, and enables you to create a digital library of lighting assets and spare parts.

Benefits

- Distinctive contemporary design inspired by traditional street lanterns
- Best-in-class lighting and energy performance with LEDGINE-O and tailored optics
- Suits traditional, historical architectural settings as well as modern environments
- Service tag for easy installation and maintenance

ClassicStreet

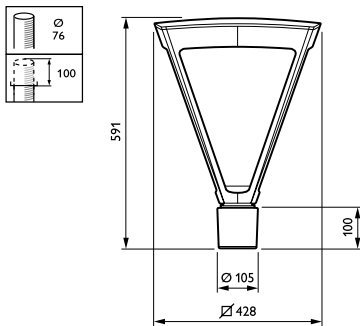
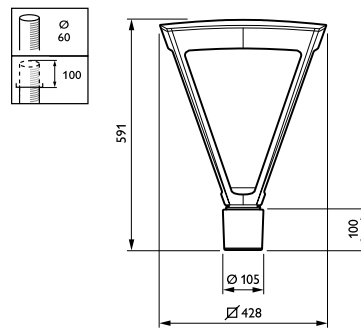
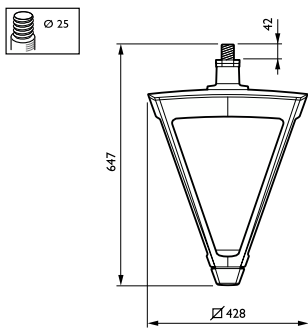
Features

- Available in post-top lighting and suspended lighting versions
- Dedicated ClassicStreet brackets and poles
- Optimized optics for efficient and comfortable lighting levels
- SR socket ready to be paired with Philips standard and advanced lighting controls

Application

- Road and Street
- Parks and Plazas
- Residential
- Main urban roads and streets, side and residential roads and streets
- City centers and historical areas
- Cycle and pedestrian paths, squares, parks and playgrounds

Dimensional drawing



Product details



ClassicStreet-BSP794-DPP-MK-WH



ClassicStreet-BDP794-1DPP.tif

Product details



ClassicStreet-BDP794-2DPP.tif



ClassicStreet-BDP794-3DPP.tif



ClassicStreet-BDP794-4DPP.tif



ClassicStreet-BDP794-5DPP.tif



ClassicStreet-BDP794-6DPP.tif



ClassicStreet-BDP794-7DPP.tif



ClassicStreet-BDP794-8DPP.tif



ClassicStreet-BSP794-DPP-MK-BK

General Information

CE mark	Yes
Driver included	Yes
Flammability mark	-
Number of gear units	1 unit

Light Technical

Standard tilt angle side entry	-
Standard tilt angle posttop	-
Upward light output ratio	0.03

Mechanical and Housing

Housing Color	Black
---------------	-------

Approval and Application

Ingress protection code	IP66
-------------------------	------

General Information

Order Code	Full Product Name	Lamp family code	Light source replaceable	Product family code	Service tag
912300023849	BDP794 LED53-4S/740 PSU II DS50 MK-WH GF	LED53	No	BDP794	-
912300023850	BDP794 LED52-4S/830 PSU II DS50 MK-WH GF	LED52	No	BDP794	-
912300023851	BDP794 LED53-4S/740 PSU II DS50 MK-WH GF	LED53	No	BDP794	-
912300023852	BDP794 LED42-4S/740 II DS50 MK-WH FG BK	LED42	Yes	BDP794	-
912300023858	BDP794 LED42-4S/740 II DW10 MK-WH FG BK	LED42	Yes	BDP794	-
912300023859	BDP794 LED53-4S/740 II DW10 MK-WH FG BK	LED53	Yes	BDP794	Yes
912300023860	BDP794 LED63-4S/740 II DW10 MK-WH FG BK	LED63	Yes	BDP794	Yes
912300023861	BDP794 LED52-4S/830 II DW10 MK-WH GF BK	LED52	Yes	BDP794	Yes
912300060035	BDP794 LED63-4S/740 DM70 MK-WH FG BK D9	LED63	Yes	BDP794	Yes
912300060036	BDP794 LED63-4S/740 DM50 MK-WH GF BK D9	LED63	Yes	BDP794	Yes
912300060033	BDP794 LED63-4S/740 DM70 MK-BK FG BK D9	LED63	Yes	BDP794	Yes
912300060034	BDP794 LED63-4S/740 DM50 MK-BK GF BK D9	LED63	Yes	BDP794	Yes
912300060039	BSP794 LED63-4S/740 DM70 MK-WH FG BK D9	LED63	Yes	BSP794	Yes
912300060040	BSP794 LED63-4S/740 DM50 MK-WH GF BK D9	LED63	Yes	BSP794	Yes
912300024183	BDP794 LED52-4S/518 DM11 MK-BK FG BK 60	LED52	Yes	BDP794	Yes
912300024188	BDP794 LED53-4S/420 DM11 MK-BK FG BK 60	LED53	Yes	BDP794	Yes
912300060037	BSP794 LED63-4S/740 DM70 MK-BK FG BK D9	LED63	Yes	BSP794	Yes
912300060038	BSP794 LED63-4S/740 DM50 MK-BK GF BK D9	LED63	Yes	BSP794	Yes

Light Technical (1/2)

Order Code	Full Product Name	Luminaire light beam spread	Light source color	Correlated	
				Color Temperature (Nom)	Optical cover type
912300023849	BDP794 LED53-4S/740 PSU II DS50 MK-WH GF	152° x 155°	740 neutral white	4000 K	Glass frosted

Order Code	Full Product Name	Luminaire light beam spread	Light source color	Correlated	
				Color Temperature (Nom)	Optical cover type
912300023850	BDP794 LED52-4S/830 PSU II DS50 MK-WH GF	152° x 155°	830 warm white	3000 K	Glass frosted

Order Code	Full Product Name	Luminaire light beam spread	Light source color	Correlated	
				Color Temperature (Nom)	Optical cover type
912300023851	BDP794 LED53-4S/740 PSU II DS50 MK-WH GF	152° x 155°	740 neutral white	4000 K	Glass frosted
912300023852	BDP794 LED42-4S/740 II DS50 MK-WH FG BK	152° x 155°	740 neutral white	4000 K	Flat glass
912300023858	BDP794 LED42-4S/740 II DW10 MK-WH FG BK	52° - 7° x 151°	740 neutral white	4000 K	Flat glass
912300023859	BDP794 LED53-4S/740 II DW10 MK-WH FG BK	52° - 7° x 151°	740 neutral white	4000 K	Flat glass
912300023860	BDP794 LED63-4S/740 II DW10 MK-WH FG BK	52° - 7° x 151°	740 neutral white	4000 K	Flat glass
912300023861	BDP794 LED52-4S/830 II DW10 MK-WH GF BK	52° - 7° x 151°	830 warm white	3000 K	Glass frosted
912300060035	BDP794 LED63-4S/740 DM70 MK-WH FG BK D9	-	740 neutral white	4000 K	Flat glass
912300060036	BDP794 LED63-4S/740 DM50 MK-WH GF BK D9	30° - 5° x 153°	740 neutral white	4000 K	Glass frosted

Order Code	Full Product Name	Luminaire light beam spread	Light source color	Correlated	
				Color Temperature (Nom)	Optical cover type
912300060033	BDP794 LED63-4S/740 DM70 MK-BK FG BK D9	-	740 neutral white	4000 K	Flat glass
912300060034	BDP794 LED63-4S/740 DM50 MK-BK GF BK D9	30° - 5° x 153°	740 neutral white	4000 K	Glass frosted
912300060039	BSP794 LED63-4S/740 DM70 MK-WH FG BK D9	-	740 neutral white	4000 K	Flat glass
912300060040	BSP794 LED63-4S/740 DM50 MK-WH GF BK D9	30° - 5° x 153°	740 neutral white	4000 K	Glass frosted
912300024183	BDP794 LED52-4S/518 DM11 MK-BK FG BK 60	-	518 ClearStar WW	1800 K	Flat glass
912300024188	BDP794 LED53-4S/420 DM11 MK-BK FG BK 60	-	420 ClearStar NW	2000 K	Flat glass
912300060037	BSP794 LED63-4S/740 DM70 MK-BK FG BK D9	-	740 neutral white	4000 K	Flat glass
912300060038	BSP794 LED63-4S/740 DM50 MK-BK GF BK D9	30° - 5° x 153°	740 neutral white	4000 K	Glass frosted

Light Technical (2/2)

Order Code	Full Product Name	Color rendering		Number of light sources	Optic type outdoor
		index (CRI)	Luminous Flux		
912300023849	BDP794 LED53-4S/740 PSU II DS50 MK-WH GF	70	3,348 lm	20	Distribution symmetrical 50
912300023850	BDP794 LED52-4S/830 PSU II DS50 MK-WH GF	80	3,172 lm	20	Distribution symmetrical 50

Order Code	Full Product Name	Color rendering		Number of light sources	Optic type outdoor
		index (CRI)	Luminous Flux		
912300023851	BDP794 LED53-4S/740 PSU II DS50 MK-WH GF	70	3,348 lm	20	Distribution symmetrical 50
912300023852	BDP794 LED42-4S/740 II DS50 MK-WH FG BK	70	2,898 lm	20	Distribution symmetrical 50
912300023858	BDP794 LED42-4S/740 II	70	2,993 lm	20	Distribution wide 10

Order Code	Full Product Name	Color rendering		Number of light sources	Optic type outdoor
		index (CRI)	Luminous Flux		
	DW10 MK-WH FG BK				
912300023859	BDP794 LED53-4S/740 II DW10 MK-WH FG BK	70	3,796 lm	20	Distribution wide 10
912300023860	BDP794 LED63-4S/740 II DW10 MK-WH FG BK	70	4,320 lm	20	Distribution wide 10
912300023861	BDP794 LED52-4S/830 II DW10 MK-WH FG BK	80	3,250 lm	20	Distribution wide 10
912300060035	BDP794 LED63-4S/740 DM70 MK-WH FG BK D9	70	4,352 lm	-	Distribution medium 70
912300060036	BDP794 LED63-4S/740 DM50 MK-WH FG BK D9	70	3,904 lm	-	Distribution medium 50
912300060033	BDP794 LED63-4S/740 DM70 MK-BK FG BK D9	70	4,288 lm	-	Distribution medium 70
912300060034	BDP794 LED63-4S/740 DM50 MK-BK GF BK D9	70	3,840 lm	-	Distribution medium 50

Operating and Electrical

Order Code	Full Product Name	Power Consumption
912300023849	BDP794 LED53-4S/740 PSU II DS50 MK-WH GF	33 W
912300023850	BDP794 LED52-4S/830 PSU II DS50 MK-WH GF	42 W
912300023851	BDP794 LED53-4S/740 PSU II DS50 MK-WH GF	33 W
912300023852	BDP794 LED42-4S/740 II DS50 MK-WH FG BK	26 W
912300023858	BDP794 LED42-4S/740 II DW10 MK-WH FG BK	25 W
912300023859	BDP794 LED53-4S/740 II DW10 MK-WH FG BK	32 W
912300023860	BDP794 LED63-4S/740 II DW10 MK-WH FG BK	38.5 W
912300023861	BDP794 LED52-4S/830 II DW10 MK-WH GF BK	40.5 W
912300060035	BDP794 LED63-4S/740 DM70 MK-WH FG BK D9	40 W

Controls and Dimming

Order Code	Full Product Name	Color rendering		Number of light sources	Optic type outdoor
		index (CRI)	Luminous Flux		
912300060039	BSP794 LED63-4S/740 DM70 MK-WH FG BK D9	70	4,352 lm	-	Distribution medium 70
912300060040	BSP794 LED63-4S/740 DM50 MK-WH GF BK D9	70	3,904 lm	-	Distribution medium 50
912300024183	BDP794 LED52-4S/518 DM11 MK-BK FG BK 60	48	2,496 lm	20	Distribution medium 11
912300024188	BDP794 LED53-4S/420 DM11 MK-BK FG BK 60	36	2,646 lm	20	Distribution medium 11
912300060037	BSP794 LED63-4S/740 DM70 MK-BK FG BK D9	70	4,288 lm	-	Distribution medium 70
912300060038	BSP794 LED63-4S/740 DM50 MK-BK GF BK D9	70	3,840 lm	-	Distribution medium 50

Order Code	Full Product Name	Power Consumption
912300060036	BDP794 LED63-4S/740 DM50 MK-WH GF BK D9	40 W
912300060033	BDP794 LED63-4S/740 DM70 MK-BK FG BK D9	40 W
912300060034	BDP794 LED63-4S/740 DM50 MK-BK GF BK D9	40 W
912300060039	BSP794 LED63-4S/740 DM70 MK-WH FG BK D9	40 W
912300060040	BSP794 LED63-4S/740 DM50 MK-WH GF BK D9	40 W
912300024183	BDP794 LED52-4S/518 DM11 MK-BK FG BK 60	42 W
912300024188	BDP794 LED53-4S/420 DM11 MK-BK FG BK 60	33 W
912300060037	BSP794 LED63-4S/740 DM70 MK-BK FG BK D9	40 W
912300060038	BSP794 LED63-4S/740 DM50 MK-BK GF BK D9	40 W

Order Code	Full Product Name	Dimmable
912300023849	BDP794 LED53-4S/740 PSU II DS50 MK-WH GF	No
912300023850	BDP794 LED52-4S/830 PSU II DS50 MK-WH GF	No
912300023851	BDP794 LED53-4S/740 PSU II DS50 MK-WH GF	No
912300023852	BDP794 LED42-4S/740 II DS50 MK-WH FG BK	Yes
912300023858	BDP794 LED42-4S/740 II DW10 MK-WH FG BK	No
912300023859	BDP794 LED53-4S/740 II DW10 MK-WH FG BK	No
912300023860	BDP794 LED63-4S/740 II DW10 MK-WH FG BK	No
912300023861	BDP794 LED52-4S/830 II DW10 MK-WH GF BK	No
912300060035	BDP794 LED63-4S/740 DM70 MK-WH FG BK D9	Yes

Order Code	Full Product Name	Dimmable
912300060036	BDP794 LED63-4S/740 DM50 MK-WH GF BK D9	Yes
912300060033	BDP794 LED63-4S/740 DM70 MK-BK FG BK D9	Yes
912300060034	BDP794 LED63-4S/740 DM50 MK-BK GF BK D9	Yes
912300060039	BSP794 LED63-4S/740 DM70 MK-WH FG BK D9	Yes
912300060040	BSP794 LED63-4S/740 DM50 MK-WH GF BK D9	Yes
912300024183	BDP794 LED52-4S/518 DM11 MK-BK FG BK 60	No
912300024188	BDP794 LED53-4S/420 DM11 MK-BK FG BK 60	No
912300060037	BSP794 LED63-4S/740 DM70 MK-BK FG BK D9	Yes
912300060038	BSP794 LED63-4S/740 DM50 MK-BK GF BK D9	Yes

Approval and Application

Order Code	Full Product Name	Mech. impact protection code	Surge Protection (Common/Differential)
912300023849	BDP794 LED53-4S/740 PSU II DS50 MK-WH GF	IK08	Luminaire surge protection level until 6 kV differential mode and 8 kV common mode
912300023850	BDP794 LED52-4S/830 PSU II DS50 MK-WH GF	IK08	Luminaire surge protection level until 6 kV differential mode and 8 kV common mode
912300023851	BDP794 LED53-4S/740 PSU II DS50 MK-WH GF	IK08	Luminaire surge protection level until 6 kV differential mode and 8 kV common mode
912300023852	BDP794 LED42-4S/740 II DS50 MK-WH FG BK	IK09	Luminaire surge protection level until 6 kV differential mode and 8 kV common mode
912300023858	BDP794 LED42-4S/740 II DW10 MK-WH FG BK	IK09	Luminaire surge protection level until 10 kV differential mode and 10 kV common mode
912300023859	BDP794 LED53-4S/740 II DW10 MK-WH FG BK	IK09	Luminaire surge protection level until 10 kV differential mode and 10 kV common mode
912300023860	BDP794 LED63-4S/740 II DW10 MK-WH FG BK	IK09	Luminaire surge protection level until 10 kV differential mode and 10 kV common mode
912300023861	BDP794 LED52-4S/830 II DW10 MK-WH GF BK	IK08	Luminaire surge protection level until 10 kV differential mode and 10 kV common mode
912300060035	BDP794 LED63-4S/740 DM70 MK-WH FG BK D9	IK09	Luminaire surge protection level until 6 kV differential mode and 8 kV common mode

Order Code	Full Product Name	Mech. impact protection code	Surge Protection (Common/Differential)
912300060036	BDP794 LED63-4S/740 DM50 MK-WH GF BK D9	IK08	Luminaire surge protection level until 6 kV differential mode and 8 kV common mode
912300060033	BDP794 LED63-4S/740 DM70 MK-BK FG BK D9	IK09	Luminaire surge protection level until 6 kV differential mode and 8 kV common mode
912300060034	BDP794 LED63-4S/740 DM50 MK-BK GF BK D9	IK08	Luminaire surge protection level until 6 kV differential mode and 8 kV common mode
912300060039	BSP794 LED63-4S/740 DM70 MK-WH FG BK D9	IK09	Luminaire surge protection level until 6 kV differential mode and 8 kV common mode
912300060040	BSP794 LED63-4S/740 DM50 MK-WH GF BK D9	IK08	Luminaire surge protection level until 6 kV differential mode and 8 kV common mode
912300024183	BDP794 LED52-4S/518 DM11 MK-BK FG BK 60	IK09	Luminaire surge protection level until 6 kV differential mode and 8 kV common mode
912300024188	BDP794 LED53-4S/420 DM11 MK-BK FG BK 60	IK09	Luminaire surge protection level until 6 kV differential mode and 8 kV common mode
912300060037	BSP794 LED63-4S/740 DM70 MK-BK FG BK D9	IK09	Luminaire surge protection level until 6 kV differential mode and 8 kV common mode
912300060038	BSP794 LED63-4S/740 DM50 MK-BK GF BK D9	IK08	Luminaire surge protection level until 6 kV differential mode and 8 kV common mode

Over Time Performance (IEC Compliant)

Order Code	Full Product Name	Driver failure rate at 5000 h
912300023849	BDP794 LED53-4S/740 PSU II DS50 MK-WH GF	-
912300023850	BDP794 LED52-4S/830 PSU II DS50 MK-WH GF	-
912300023851	BDP794 LED53-4S/740 PSU II DS50 MK-WH GF	-

Order Code	Full Product Name	Driver failure rate at 5000 h
912300023852	BDP794 LED42-4S/740 II DS50 MK-WH FG BK	-
912300023858	BDP794 LED42-4S/740 II DW10 MK-WH FG BK	-
912300023859	BDP794 LED53-4S/740 II DW10 MK-WH FG BK	-

Order Code	Full Product Name	Driver failure rate at 5000 h
912300023860	BDP794 LED63-4S/740 II DW10 MK-WH FG BK	-
912300023861	BDP794 LED52-4S/830 II DW10 MK-WH GF BK	-
912300060035	BDP794 LED63-4S/740 DM70 MK-WH FG BK D9	-
912300060036	BDP794 LED63-4S/740 DM50 MK-WH GF BK D9	-
912300060033	BDP794 LED63-4S/740 DM70 MK-BK FG BK D9	-
912300060034	BDP794 LED63-4S/740 DM50 MK-BK GF BK D9	-

Order Code	Full Product Name	Driver failure rate at 5000 h
912300060039	BSP794 LED63-4S/740 DM70 MK-WH FG BK D9	-
912300060040	BSP794 LED63-4S/740 DM50 MK-WH GF BK D9	-
912300024183	BDP794 LED52-4S/518 DM11 MK-BK FG BK 60	0.1%
912300024188	BDP794 LED53-4S/420 DM11 MK-BK FG BK 60	0.1%
912300060037	BSP794 LED63-4S/740 DM70 MK-BK FG BK D9	-
912300060038	BSP794 LED63-4S/740 DM50 MK-BK GF BK D9	-

Application Conditions

Order Code	Full Product Name	Maximum dim level
912300023849	BDP794 LED53-4S/740 PSU II DS50 MK-WH GF	Not applicable
912300023850	BDP794 LED52-4S/830 PSU II DS50 MK-WH GF	Not applicable
912300023851	BDP794 LED53-4S/740 PSU II DS50 MK-WH GF	Not applicable
912300023852	BDP794 LED42-4S/740 II DS50 MK-WH FG BK	10%
912300023858	BDP794 LED42-4S/740 II DW10 MK-WH FG BK	Not applicable
912300023859	BDP794 LED53-4S/740 II DW10 MK-WH FG BK	Not applicable
912300023860	BDP794 LED63-4S/740 II DW10 MK-WH FG BK	Not applicable
912300023861	BDP794 LED52-4S/830 II DW10 MK-WH GF BK	Not applicable
912300060035	BDP794 LED63-4S/740 DM70 MK-WH FG BK D9	10%

Order Code	Full Product Name	Maximum dim level
912300060036	BDP794 LED63-4S/740 DM50 MK-WH GF BK D9	10%
912300060033	BDP794 LED63-4S/740 DM70 MK-BK FG BK D9	10%
912300060034	BDP794 LED63-4S/740 DM50 MK-BK GF BK D9	10%
912300060039	BSP794 LED63-4S/740 DM70 MK-WH FG BK D9	10%
912300060040	BSP794 LED63-4S/740 DM50 MK-WH GF BK D9	10%
912300024183	BDP794 LED52-4S/518 DM11 MK-BK FG BK 60	Not applicable
912300024188	BDP794 LED53-4S/420 DM11 MK-BK FG BK 60	Not applicable
912300060037	BSP794 LED63-4S/740 DM70 MK-BK FG BK D9	10%
912300060038	BSP794 LED63-4S/740 DM50 MK-BK GF BK D9	10%

