



# Switching Made Easy

## Centium T12 Slimline

Reliable and energy-efficient, Philips Advance's line of Centium high frequency electronic ballasts for 8' T12 Slimline fluorescent lamps are a great replacement option when compared to magnetic ballasts. Lightweight with the same mounting configurations makes this a quick and easy retrofit solution.

### Benefits

- IntelliVolt versions now available, 1/2-lamp operation of 8' 60/75W T12 slimline lamps
- Improved efficiency over magnetic counterparts
- Lighter weight with the same mounting configuration

### Features

- IntelliVolt (120-277V) input voltage range
- 1 or 2 Lamp operation

### Application

- Retail, commercial, institutional and industrial applications including; schools, offices, specialty & department stores, warehouses and manufacturing

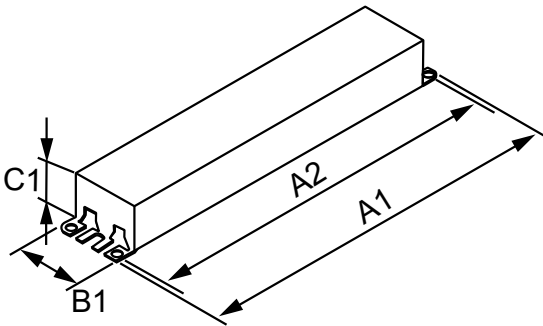
# Centium T12 Slimline

## Versions



ICN2P60N35I

## Dimensional drawing



Product	A1	A2	B1	C1
CENTIUM ELE BALLAST (2) F96T12 120-277V	9.5 in	8.9 in	1.3 in	1.0 in
CENTIUM ELE BALLAST (2) F96T12 120-277V	9.5 in	8.9 in	1.3 in	1.0 in

