



Switching Made Easy

Centium T12 Slimline

Reliable and energy-efficient, Philips Advance's line of Centium high frequency electronic ballasts for 8' T12 Slimline fluorescent lamps are a great replacement option when compared to magnetic ballasts. Lightweight with the same mounting configurations makes this a quick and easy retrofit solution.

Avantages

- IntelliVolt versions now available, 1/2-lamp operation of 8' 60/75W T12 slimline lamps
- Improved efficiency over magnetic counterparts
- Lighter weight with the same mounting configuration

Fonctions

- IntelliVolt (120-277V) input voltage range
- 1 or 2 Lamp operation

Application

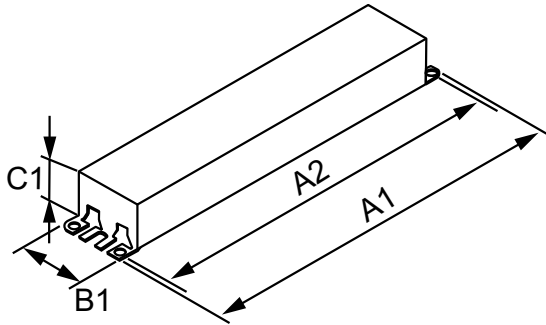
- Retail, commercial, institutional and industrial applications including; schools, offices, specialty & department stores, warehouses and manufacturing

Versions



Centium T12 Slimline

Schéma dimensionnel



Product	A1	A2	B1	C1
CENTIUM ICN2P60N35I	9,5 in	8,9 in	1,3 in	1,0 in
CENTIUM ICN2P60N35M	9,5 in	8,9 in	1,3 in	1,0 in

