



Create a warm, welcoming ambience with superior quality lighting

MASTER LEDspot ExpertColor MV

MASTER LEDspot MV ExpertColor creates a warm and comfortable ambience for hospitality venues, homes and restaurants. It creates such an ambience with superior lighting that has a customized spectrum, high CRI, and deep dimming feature. The result? A beautiful lighting experience. What's more the innovative, trimless lens design will also suit almost any interior decor with its clean and neat look. In addition, you can take advantage of the full ExpertColor family, which also includes LEDspot LV and LEDspot Par lamps.

Benefits

- Create warm and comfortable ambience
- Interior decor, furnishings and fabrics look great
- Hassle-free retrofit solution for greater energy efficiency and sustainability

Features

- Customized color spectrum replicates halogen light color
- Trimless design with beautiful V-groove lens
- Best-in-class color realization CRI97, R9>85
- Deep and smooth dimming
- Retrofittable with main-voltage GU10 halogen lamps

Application

- Hospitality: hotel guest room, corridors, lobby, reception area, restaurants, bars, cafes
- Home: living room, bedrooms, hall way
- Retail: exhibitions, display cabinets, shops, dressing rooms

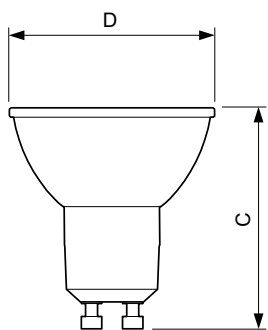
MASTER LEDspot ExpertColor MV

Versions



GU10 PAR16

Dimensional drawing



Product	D	C
MASTER LED ExpertColor LED ExpertColor 3.9-35W GU10 940 36D	50 mm	54 mm
MASTER LED ExpertColor 5.5-50W GU10 927 25D	50 mm	54 mm
MASTER LED ExpertColor LED ExpertColor 5.5-50W GU10 930 25D	50 mm	54 mm

MASTER LEDspot ExpertColor MV

Approval and Application

Energy Efficiency Label (EEL)	A+
Controls and Dimming	
Dimmable	Yes
Operating and Electrical	
Input Frequency	50 to 60 Hz
Voltage (Nom)	220-240 V
Starting Time (Nom)	0.5 s
General Information	
Cap-Base	GU10
Nominal Lifetime (Nom)	40000 h
Rated Lifetime (Hours)	40000 h
Switching Cycle	50000X
Light Technical	
Color Rendering Index (Nom)	97
Lmf At End Of Nominal Lifetime (Nom)	70 %
Mechanical and Housing	
Bulb Shape	PAR16
Temperature	
T-Case Maximum (Nom)	80 °C

Approval and Application

Order Code	Full Product Name	Energy Consumption kWh/1000 h
326363	3.9MAS ExpertColor GU10 940 36D 220 10/1	4 kWh
326330	MASTER LED ExpertColor LEDExpertColor5.5W GU10 927 25D 10/1	6 kWh
326371	MASTER LED ExpertColorTER LED D 5.5-50W GU10 930 25D 10/1	6 kWh

Operating and Electrical

Order Code	Full Product Name	Wattage Equivalent	Power (Rated) (Nom)
326363	3.9MAS ExpertColor GU10 940 36D 220 10/1	35 W	3.9 W
326330	MASTER LED ExpertColor LEDExpertColor5.5W GU10 927 25D 10/1	50 W	5.5 W

Order Code	Full Product Name	Wattage Equivalent	Power (Rated) (Nom)
326371	MASTER LED ExpertColorTER LED D 5.5-50W GU10 930 25D 10/1	50 W	5.5 W

Light Technical (1/2)

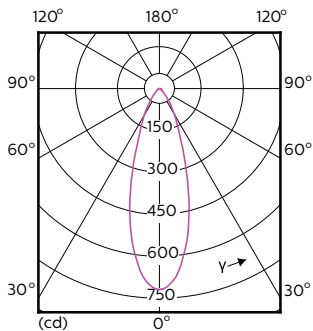
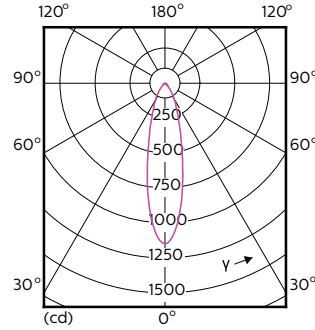
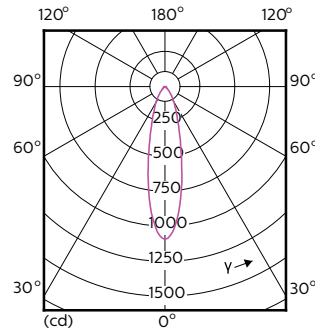
Order Code	Full Product Name	Beam		Correlated Color	
		Angle (Nom)	Color Code	Temperature (Nom)	Luminous Flux (Nom)
326363	3.9MAS ExpertColor GU10 940 36D 220 10/1	36 °	940	4000 K	300 lm
326330	MASTER LED ExpertColor LEDExpertColor5.5W GU10 927 25D 10/1	25 °	927	2700 K	355 lm

Order Code	Full Product Name	Beam		Correlated Color	
		Angle (Nom)	Color Code	Temperature (Nom)	Luminous Flux (Nom)
326371	MASTER LED ExpertColorTER LED D 5.5-50W GU10 930 25D 10/1	25 °	930	3000 K	375 lm

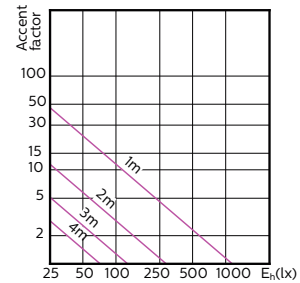
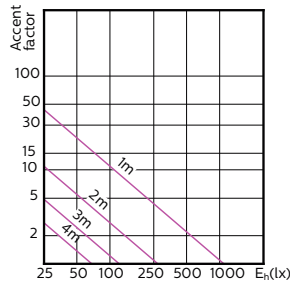
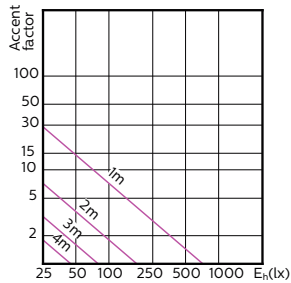
Light Technical (2/2)

MASTER LEDspot ExpertColor MV

Order Code	Full Product Name	Luminous Flux (Rated) (Nom)	Luminous Intensity (Nom)	Rated Beam Angle
326363	3.9MAS ExpertColor GU10 940 36D 220 10/1	300 lm	600 cd	36 °
326330	MASTER LED ExpertColor LEExpertColor5.5W GU10 927 25D 10/1	355 lm	1000 cd	25 °
326371	MASTER LED ExpertColorTER LED D 5.5-50W GU10 930 25D 10/1	375 lm	1000 cd	25 °



Accent Diagrams



Beam Diagrams

