



Setting the standard in Surface-mounted LED Downlight

GreenSpace Surface-mounted

Philips GreenSpace Surface-mounted LED Downlight delivers a superior LED alternative that's up to 66% more energy efficient than the conventional downlight retrofits. Blending seamlessly into its environment, GreenSpace Surface-mounted LED Downlight mimics the form of conventional recessed downlights minus the associated high energy and maintenance costs. Philips GreenSpace Surface-mounted LED Downlight is also ideal for all commercial lighting applications as well as public indoor space where there is limited space in the ceiling.

Benefits

- Lumen output: Different lumens in different sizes and mounting heights with options of 1000lm, 2000lm, 3800lm & 6600lm.
- Superior light performance: Colors rendered accurately(CRI>80) and high system efficacy(100lm/w)
- Varieties: IP20, IP65 version with choice of different lumen output, and option of black housing through tailor-made
- Long lifetime: 50,000 hour lifetime ensures more savings in the long run

Features

- System efficacy: 100lm/W, energy saving up to 66% vs conventional downlights
- Reliable performance: Lifetime 50,000hours (L70B50@Ta25°C)
- Excellent light quality - CRI>=80 @3000K,4000K and 6500K
- Integral lightweight design – Installation cost is significantly reduced

GreenSpace Surface-mounted

Application

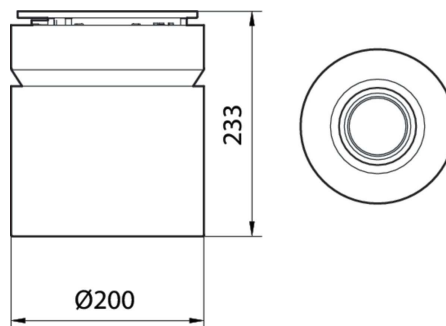
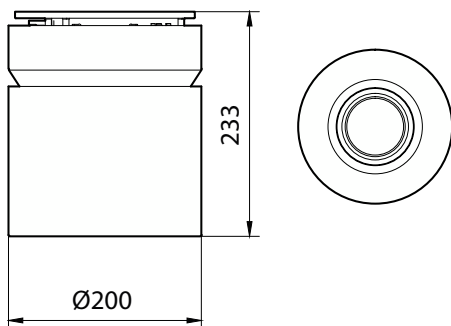
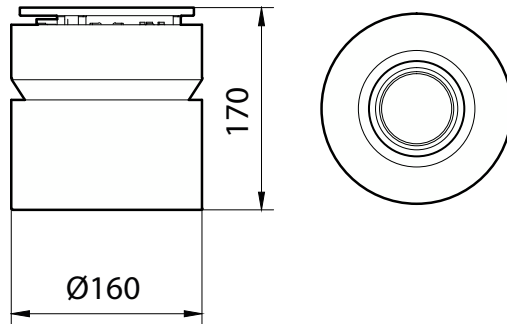
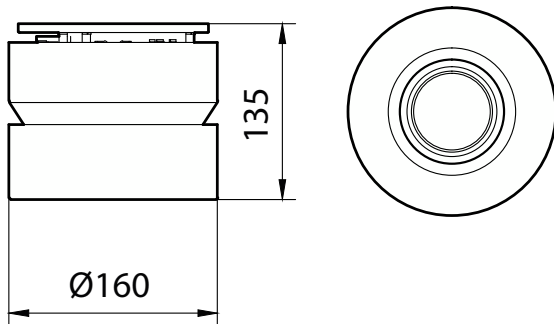
- Shopping mall
- Station concourse
- Canopy
- Airport public area
- Stadium public area

Specifications

Mounting type	surface mounted
Operating Temperature range	-20°C to +40°C
Light Source	LED module
Mains Voltage	220-240V AC / 50-60Hz
Dimming	PSU: non-dimmable
Material	Housing: Die-cast Aluminum
Main color of the luminaire	White Black (ETO available)
Lumen maintenance at median useful life 50.000h	L70
Luminous flux	LED10: 1000lm LED20: 2000lm LED40: 3800lm LED70: 6600lm

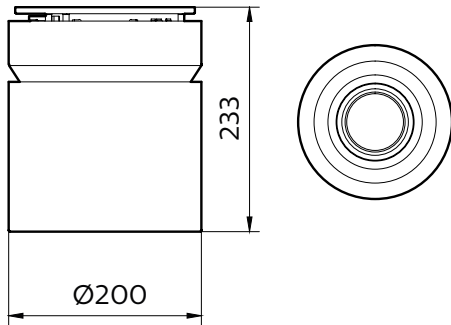
Power consumption	10W, 20W, 38W, 66W
Luminaire efficacy	100lm/W @840
Correlated color temperature - CCT	3000K, 4000K, 6500K
Color Rendering index - CRI	80
Beam angle	LED10 & LED20: 90° LED40 & LED70: 60°
Protection Class IEC61140	Class I
Ingress protection	IP20 & IP65 for LED40 & LED70 only
Overall diameter	LED10/LED20: 160mm LED70: 200mm LED40: 160mm (IP20) & 200MM (IP65)
Installation	Surface Mount

Dimensional drawing



GreenSpace Surface-mounted

Dimensional drawing



General Information	
CE mark	CE mark
Driver included	Yes
ENEC mark	-
Flammability mark	-
Glow-wire test	Temperature 750 °C, duration 5 s
Light source replaceable	No
Number of gear units	1 unit
Service tag	Yes
Light Technical	
Optical cover type	Reflector
Color rendering index (CRI)	>80
Optic type	High-gloss mirror
Operating and Electrical	
Input Voltage	220 to 240 V
Line Frequency	50 or 60 Hz
Temperature	
Ambient temperature range	-20 to +40 °C
Controls and Dimming	
Dimmable	No
Approval and Application	
Protection class IEC	Safety class I
Mech. impact protection code	IK02
Initial Performance (IEC Compliant)	
Luminous flux tolerance	+/-10%
Over Time Performance (IEC Compliant)	
Median useful life L80B50	40,000 hour(s)
Median useful life L90B50	20,000 hour(s)
Application Conditions	
Suitable for random switching	No

Light Technical

Order Code	Full Product Name	Beam angle of light source	Correlated Color Temperature (Nom)	Luminous Efficacy (rated) (Nom)	Luminous Flux
01508831	SM291C LED10/830 PSU WH	-	3000 K	100 lm/W	1,000 lm
01508931	SM291C LED10/840 PSU WH	-	4000 K	100 lm/W	1,000 lm
01509031	SM291C LED10/865 PSU WH	-	6500 K	100 lm/W	1,000 lm
01509131	SM291C LED10/830 PSU BK	-	3000 K	100 lm/W	1,000 lm
01509231	SM291C LED10/840 PSU BK	-	4000 K	100 lm/W	1,000 lm
01509331	SM291C LED10/865 PSU BK	-	6500 K	100 lm/W	1,000 lm
01509431	SM293C LED20/830 PSU WH	-	3000 K	105 lm/W	2,000 lm
01509531	SM293C LED20/840 PSU WH	-	4000 K	105 lm/W	2,000 lm
01509631	SM293C LED20/865 PSU WH	-	6500 K	105 lm/W	2,000 lm
01509731	SM293C LED20/830 PSU BK	-	3000 K	105 lm/W	2,000 lm
01509831	SM293C LED20/840 PSU BK	-	4000 K	105 lm/W	2,000 lm
01509931	SM293C LED20/865 PSU BK	-	6500 K	105 lm/W	2,000 lm
01510031	SM294C LED40/830 PSU WH	-	3000 K	105 lm/W	3,800 lm
01510131	SM294C LED40/840 PSU WH	-	4000 K	105 lm/W	3,800 lm
01510231	SM294C LED40/865 PSU WH	-	6500 K	105 lm/W	3,800 lm
01510331	SM294C LED40/830 PSU BK	-	3000 K	105 lm/W	3,800 lm
01510431	SM294C LED40/840 PSU BK	-	4000 K	105 lm/W	3,800 lm

GreenSpace Surface-mounted

Order Code	Full Product Name	Beam angle of light source	Correlated Color	Luminous Efficacy (rated) (Nom)	Luminous Flux
			Temperature (Nom)		
01511231	SM294C LED40/830 PSU WP WH	-	3000 K	105 lm/W	3,800 lm
01511331	SM294C LED40/840 PSU WP WH	-	4000 K	105 lm/W	3,800 lm
01511431	SM294C LED40/865 PSU WP WH	-	6500 K	105 lm/W	3,800 lm
01511631	SM294C LED40/840 PSU WP BK	-	4000 K	105 lm/W	3,800 lm
01511731	SM294C LED40/865 PSU WP BK	-	6500 K	105 lm/W	3,800 lm
72365800	SM291C LED10/840 PSU WH GM	- degree(s)	4000 K	100 lm/W	1,000 lm
72369600	SM291C LED10/865 PSU WH GM	- degree(s)	6500 K	100 lm/W	1,000 lm
72372600	SM293C LED20/830 PSU WH GM	- degree(s)	3000 K	105 lm/W	2,000 lm
01847599	SM293C LED20/840 PSU WH GM	- degree(s)	4000 K	105 lm/W	2,000 lm
51951000	SM293C LED20/865 PSU WH GM	- degree(s)	6500 K	105 lm/W	2,000 lm
72368900	SM295C LED70/840 PSU WP WH GM	- degree(s)	4000 K	100 lm/W	6,600 lm
52129200	SM294C LED40/840 PSU WP WH GM	- degree(s)	4000 K	105 lm/W	3,800 lm
52130800	SM294C LED40/865 PSU WP WH GM	- degree(s)	6500 K	105 lm/W	3,800 lm
51952700	SM294C LED40/830 PSU WP WH GM	- degree(s)	3000 K	105 lm/W	3,800 lm
72366500	SM294C LED40/830 PSU WH GM	- degree(s)	3000 K	100 lm/W	3,800 lm
01848699	SM294C LED40/840 PSU WH GM	- degree(s)	4000 K	100 lm/W	3,800 lm
01848799	SM294C LED40/865 PSU WH GM	- degree(s)	6500 K	100 lm/W	3,800 lm
01848899	SM295C LED70/840 PSU WH GM	- degree(s)	4000 K	100 lm/W	6,600 lm
01510631	SM295C LED68/830 PSU WH	-	3000 K	100 lm/W	6,600 lm
01510731	SM295C LED68/840 PSU WH	-	4000 K	100 lm/W	6,600 lm
01510831	SM295C LED68/865 PSU WH	-	6500 K	100 lm/W	6,600 lm
01511031	SM295C LED68/840 PSU BK	-	4000 K	100 lm/W	6,600 lm
01511931	SM295C LED68/840 PSU WP WH	-	4000 K	100 lm/W	6,600 lm
01512231	SM295C LED68/840 PSU WP BK	-	4000 K	100 lm/W	6,600 lm
01512331	SM295C LED68/865 PSU WP BK	-	6500 K	100 lm/W	6,600 lm

GreenSpace Surface-mounted

Operating and Electrical

Order Code	Full Product Name	Power Consumption
01508831	SM291C LED10/830 PSU WH	10 W
01508931	SM291C LED10/840 PSU WH	10 W
01509031	SM291C LED10/865 PSU WH	10 W
01509131	SM291C LED10/830 PSU BK	10 W
01509231	SM291C LED10/840 PSU BK	10 W
01509331	SM291C LED10/865 PSU BK	10 W
01509431	SM293C LED20/830 PSU WH	19 W
01509531	SM293C LED20/840 PSU WH	19 W
01509631	SM293C LED20/865 PSU WH	19 W
01509731	SM293C LED20/830 PSU BK	19 W
01509831	SM293C LED20/840 PSU BK	19 W
01509931	SM293C LED20/865 PSU BK	19 W
01510031	SM294C LED40/830 PSU WH	36 W
01510131	SM294C LED40/840 PSU WH	36 W
01510231	SM294C LED40/865 PSU WH	36 W
01510331	SM294C LED40/830 PSU BK	36 W
01510431	SM294C LED40/840 PSU BK	36 W
01511231	SM294C LED40/830 PSU WP WH	36 W
01511331	SM294C LED40/840 PSU WP WH	36 W
01511431	SM294C LED40/865 PSU WP WH	36 W
01511631	SM294C LED40/840 PSU WP BK	36 W

Order Code	Full Product Name	Power Consumption
01511731	SM294C LED40/865 PSU WP BK	36 W
72365800	SM291C LED10/840 PSU WH GM	10 W
72369600	SM291C LED10/865 PSU WH GM	10 W
72372600	SM293C LED20/830 PSU WH GM	19 W
01847599	SM293C LED20/840 PSU WH GM	19 W
51951000	SM293C LED20/865 PSU WH GM	19 W
72368900	SM295C LED70/840 PSU WP WH GM	66 W
52129200	SM294C LED40/840 PSU WP WH GM	36 W
52130800	SM294C LED40/865 PSU WP WH GM	36 W
51952700	SM294C LED40/830 PSU WP WH GM	36 W
72366500	SM294C LED40/830 PSU WH GM	38 W
01848699	SM294C LED40/840 PSU WH GM	38 W
01848799	SM294C LED40/865 PSU WH GM	38 W
01848899	SM295C LED70/840 PSU WH GM	66 W
01510631	SM295C LED68/830 PSU WH	66 W
01510731	SM295C LED68/840 PSU WH	66 W
01510831	SM295C LED68/865 PSU WH	66 W
01511031	SM295C LED68/840 PSU BK	66 W
01511931	SM295C LED68/840 PSU WP WH	66 W
01512231	SM295C LED68/840 PSU WP BK	66 W
01512331	SM295C LED68/865 PSU WP BK	66 W

Mechanical and Housing

Order Code	Full Product Name	Housing Color
01508831	SM291C LED10/830 PSU WH	White
01508931	SM291C LED10/840 PSU WH	White
01509031	SM291C LED10/865 PSU WH	White
01509131	SM291C LED10/830 PSU BK	Black
01509231	SM291C LED10/840 PSU BK	Black
01509331	SM291C LED10/865 PSU BK	Black
01509431	SM293C LED20/830 PSU WH	White
01509531	SM293C LED20/840 PSU WH	White
01509631	SM293C LED20/865 PSU WH	White
01509731	SM293C LED20/830 PSU BK	Black
01509831	SM293C LED20/840 PSU BK	Black
01509931	SM293C LED20/865 PSU BK	Black
01510031	SM294C LED40/830 PSU WH	White
01510131	SM294C LED40/840 PSU WH	White
01510231	SM294C LED40/865 PSU WH	White
01510331	SM294C LED40/830 PSU BK	Black
01510431	SM294C LED40/840 PSU BK	Black
01511231	SM294C LED40/830 PSU WP WH	White
01511331	SM294C LED40/840 PSU WP WH	White
01511431	SM294C LED40/865 PSU WP WH	White
01511631	SM294C LED40/840 PSU WP BK	Black

Order Code	Full Product Name	Housing Color
01511731	SM294C LED40/865 PSU WP BK	Black
72365800	SM291C LED10/840 PSU WH GM	White
72369600	SM291C LED10/865 PSU WH GM	White
72372600	SM293C LED20/830 PSU WH GM	White
01847599	SM293C LED20/840 PSU WH GM	White
51951000	SM293C LED20/865 PSU WH GM	White
72368900	SM295C LED70/840 PSU WP WH GM	White
52129200	SM294C LED40/840 PSU WP WH GM	White
52130800	SM294C LED40/865 PSU WP WH GM	White
51952700	SM294C LED40/830 PSU WP WH GM	White
72366500	SM294C LED40/830 PSU WH GM	White
01848699	SM294C LED40/840 PSU WH GM	White
01848799	SM294C LED40/865 PSU WH GM	White
01848899	SM295C LED70/840 PSU WH GM	White
01510631	SM295C LED68/830 PSU WH	White
01510731	SM295C LED68/840 PSU WH	White
01510831	SM295C LED68/865 PSU WH	White
01511031	SM295C LED68/840 PSU BK	Black
01511931	SM295C LED68/840 PSU WP WH	White
01512231	SM295C LED68/840 PSU WP BK	Black
01512331	SM295C LED68/865 PSU WP BK	Black

Approval and Application

GreenSpace Surface-mounted

Order Code	Full Product Name	Ingress protection code
01508831	SM291C LED10/830 PSU WH	IP20
01508931	SM291C LED10/840 PSU WH	IP20
01509031	SM291C LED10/865 PSU WH	IP20
01509131	SM291C LED10/830 PSU BK	IP20
01509231	SM291C LED10/840 PSU BK	IP20
01509331	SM291C LED10/865 PSU BK	IP20
01509431	SM293C LED20/830 PSU WH	IP20
01509531	SM293C LED20/840 PSU WH	IP20
01509631	SM293C LED20/865 PSU WH	IP20
01509731	SM293C LED20/830 PSU BK	IP20
01509831	SM293C LED20/840 PSU BK	IP20
01509931	SM293C LED20/865 PSU BK	IP20
01510031	SM294C LED40/830 PSU WH	IP65
01510131	SM294C LED40/840 PSU WH	IP65
01510231	SM294C LED40/865 PSU WH	IP65
01510331	SM294C LED40/830 PSU BK	IP65
01510431	SM294C LED40/840 PSU BK	IP65
01511231	SM294C LED40/830 PSU WP WH	IP65
01511331	SM294C LED40/840 PSU WP WH	IP65
01511431	SM294C LED40/865 PSU WP WH	IP65
01511631	SM294C LED40/840 PSU WP BK	IP65

Order Code	Full Product Name	Ingress protection code
01511731	SM294C LED40/865 PSU WP BK	IP65
72365800	SM291C LED10/840 PSU WH GM	IP20
72369600	SM291C LED10/865 PSU WH GM	IP20
72372600	SM293C LED20/830 PSU WH GM	IP20
01847599	SM293C LED20/840 PSU WH GM	IP20
51951000	SM293C LED20/865 PSU WH GM	IP20
72368900	SM295C LED70/840 PSU WP WH GM	IP65
52129200	SM294C LED40/840 PSU WP WH GM	IP65
52130800	SM294C LED40/865 PSU WP WH GM	IP65
51952700	SM294C LED40/830 PSU WP WH GM	IP65
72366500	SM294C LED40/830 PSU WH GM	IP20
01848699	SM294C LED40/840 PSU WH GM	IP20
01848799	SM294C LED40/865 PSU WH GM	IP20
01848899	SM295C LED70/840 PSU WH GM	IP20
01510631	SM295C LED68/830 PSU WH	IP65
01510731	SM295C LED68/840 PSU WH	IP65
01510831	SM295C LED68/865 PSU WH	IP65
01511031	SM295C LED68/840 PSU BK	IP65
01511931	SM295C LED68/840 PSU WP WH	IP65
01512231	SM295C LED68/840 PSU WP BK	IP65
01512331	SM295C LED68/865 PSU WP BK	IP65

Initial Performance (IEC Compliant)

Order Code	Full Product Name	Initial chromaticity
01508831	SM291C LED10/830 PSU WH	(0.44, 0.40) SDCM <5
01508931	SM291C LED10/840 PSU WH	(0.38, 0.38) SDCM <5
01509031	SM291C LED10/865 PSU WH	(0.31, 0.32) SDCM <5
01509131	SM291C LED10/830 PSU BK	(0.44, 0.40) SDCM <5
01509231	SM291C LED10/840 PSU BK	(0.38, 0.38) SDCM <5
01509331	SM291C LED10/865 PSU BK	(0.31, 0.32) SDCM <5
01509431	SM293C LED20/830 PSU WH	(0.44, 0.40) SDCM <5
01509531	SM293C LED20/840 PSU WH	(0.38, 0.38) SDCM <5
01509631	SM293C LED20/865 PSU WH	(0.31, 0.32) SDCM <5
01509731	SM293C LED20/830 PSU BK	(0.44, 0.40) SDCM <5
01509831	SM293C LED20/840 PSU BK	(0.38, 0.38) SDCM <5
01509931	SM293C LED20/865 PSU BK	(0.31, 0.32) SDCM <5
01510031	SM294C LED40/830 PSU WH	(0.44, 0.40) SDCM <5
01510131	SM294C LED40/840 PSU WH	(0.38, 0.38) SDCM <5
01510231	SM294C LED40/865 PSU WH	(0.31, 0.32) SDCM <5
01510331	SM294C LED40/830 PSU BK	(0.44, 0.40) SDCM <5
01510431	SM294C LED40/840 PSU BK	(0.38, 0.38) SDCM <5
01511231	SM294C LED40/830 PSU WP WH	(0.44, 0.40) SDCM <5
01511331	SM294C LED40/840 PSU WP WH	(0.38, 0.38) SDCM <5
01511431	SM294C LED40/865 PSU WP WH	(0.31, 0.32) SDCM <5
01511631	SM294C LED40/840 PSU WP BK	(0.38, 0.38) SDCM <5

Order Code	Full Product Name	Initial chromaticity
01511731	SM294C LED40/865 PSU WP BK	(0.31, 0.32) SDCM <5
72365800	SM291C LED10/840 PSU WH GM	(0.38, 0.38) SDCM <5
72369600	SM291C LED10/865 PSU WH GM	(0.31, 0.32) SDCM <5
72372600	SM293C LED20/830 PSU WH GM	(0.44, 0.40) SDCM <5
01847599	SM293C LED20/840 PSU WH GM	(0.38, 0.38) SDCM <5
51951000	SM293C LED20/865 PSU WH GM	(0.31, 0.32) SDCM <5
72368900	SM295C LED70/840 PSU WP WH GM	(0.38, 0.38) SDCM <5
52129200	SM294C LED40/840 PSU WP WH GM	(0.38, 0.38) SDCM <5
52130800	SM294C LED40/865 PSU WP WH GM	(0.31, 0.32) SDCM <5
51952700	SM294C LED40/830 PSU WP WH GM	(0.44, 0.40) SDCM <5
72366500	SM294C LED40/830 PSU WH GM	(0.44, 0.40) SDCM <5
01848699	SM294C LED40/840 PSU WH GM	(0.38, 0.38) SDCM <5
01848799	SM294C LED40/865 PSU WH GM	(0.31, 0.32) SDCM <5
01848899	SM295C LED70/840 PSU WH GM	(0.38, 0.38) SDCM <5
01510631	SM295C LED68/830 PSU WH	(0.44, 0.40) SDCM <5
01510731	SM295C LED68/840 PSU WH	(0.38, 0.38) SDCM <5
01510831	SM295C LED68/865 PSU WH	(0.31, 0.32) SDCM <5
01511031	SM295C LED68/840 PSU BK	(0.38, 0.38) SDCM <5
01511931	SM295C LED68/840 PSU WP WH	(0.38, 0.38) SDCM <5
01512231	SM295C LED68/840 PSU WP BK	(0.38, 0.38) SDCM <5
01512331	SM295C LED68/865 PSU WP BK	(0.31, 0.32) SDCM <5

Over Time Performance (IEC Compliant)

Order Code	Full Product Name	Driver failure rate at 5000 h
01508831	SM291C LED10/830 PSU WH	1.00 %

Order Code	Full Product Name	Driver failure rate at 5000 h
01508931	SM291C LED10/840 PSU WH	1.00 %

GreenSpace Surface-mounted

Order Code	Full Product Name	Driver failure rate at 5000 h
01509031	SM291C LED10/865 PSU WH	1.00 %
01509131	SM291C LED10/830 PSU BK	1.00 %
01509231	SM291C LED10/840 PSU BK	1.00 %
01509331	SM291C LED10/865 PSU BK	1.00 %
01509431	SM293C LED20/830 PSU WH	1.00 %
01509531	SM293C LED20/840 PSU WH	1.00 %
01509631	SM293C LED20/865 PSU WH	1.00 %
01509731	SM293C LED20/830 PSU BK	1.00 %
01509831	SM293C LED20/840 PSU BK	1.00 %
01509931	SM293C LED20/865 PSU BK	1.00 %
01510031	SM294C LED40/830 PSU WH	1.00 %
01510131	SM294C LED40/840 PSU WH	1.00 %
01510231	SM294C LED40/865 PSU WH	1.00 %
01510331	SM294C LED40/830 PSU BK	1.00 %
01510431	SM294C LED40/840 PSU BK	1.00 %
01511231	SM294C LED40/830 PSU WP WH	1.00 %
01511331	SM294C LED40/840 PSU WP WH	1.00 %
01511431	SM294C LED40/865 PSU WP WH	1.00 %
01511631	SM294C LED40/840 PSU WP BK	1.00 %
01511731	SM294C LED40/865 PSU WP BK	1.00 %

Order Code	Full Product Name	Driver failure rate at 5000 h
72365800	SM291C LED10/840 PSU WH GM	1.00 %
72369600	SM291C LED10/865 PSU WH GM	1.00 %
72372600	SM293C LED20/830 PSU WH GM	1.00 %
01847599	SM293C LED20/840 PSU WH GM	1.00 %
51951000	SM293C LED20/865 PSU WH GM	1.00 %
72368900	SM295C LED70/840 PSU WP WH GM	1.00 %
52129200	SM294C LED40/840 PSU WP WH GM	1.00 %
52130800	SM294C LED40/865 PSU WP WH GM	1.00 %
51952700	SM294C LED40/830 PSU WP WH GM	1.00 %
72366500	SM294C LED40/830 PSU WH GM	1.00 %
01848699	SM294C LED40/840 PSU WH GM	1.00 %
01848799	SM294C LED40/865 PSU WH GM	1.00 %
01848899	SM295C LED70/840 PSU WH GM	1.00 %
01510631	SM295C LED68/830 PSU WH	0.01 %
01510731	SM295C LED68/840 PSU WH	0.01 %
01510831	SM295C LED68/865 PSU WH	0.01 %
01511031	SM295C LED68/840 PSU BK	0.01 %
01511931	SM295C LED68/840 PSU WP WH	0.01 %
01512231	SM295C LED68/840 PSU WP BK	0.01 %
01512331	SM295C LED68/865 PSU WP BK	0.01 %

Application Conditions

Order Code	Full Product Name	Maximum dim level
01508831	SM291C LED10/830 PSU WH	-
01508931	SM291C LED10/840 PSU WH	-
01509031	SM291C LED10/865 PSU WH	-
01509131	SM291C LED10/830 PSU BK	-
01509231	SM291C LED10/840 PSU BK	-
01509331	SM291C LED10/865 PSU BK	-
01509431	SM293C LED20/830 PSU WH	-
01509531	SM293C LED20/840 PSU WH	-
01509631	SM293C LED20/865 PSU WH	-
01509731	SM293C LED20/830 PSU BK	-
01509831	SM293C LED20/840 PSU BK	-
01509931	SM293C LED20/865 PSU BK	-
01510031	SM294C LED40/830 PSU WH	-
01510131	SM294C LED40/840 PSU WH	-
01510231	SM294C LED40/865 PSU WH	-
01510331	SM294C LED40/830 PSU BK	-
01510431	SM294C LED40/840 PSU BK	-
01511231	SM294C LED40/830 PSU WP WH	-
01511331	SM294C LED40/840 PSU WP WH	-
01511431	SM294C LED40/865 PSU WP WH	-
01511631	SM294C LED40/840 PSU WP BK	-

Order Code	Full Product Name	Maximum dim level
01511731	SM294C LED40/865 PSU WP BK	-
72365800	SM291C LED10/840 PSU WH GM	-
72369600	SM291C LED10/865 PSU WH GM	-
72372600	SM293C LED20/830 PSU WH GM	-
01847599	SM293C LED20/840 PSU WH GM	-
51951000	SM293C LED20/865 PSU WH GM	-
72368900	SM295C LED70/840 PSU WP WH GM	-
52129200	SM294C LED40/840 PSU WP WH GM	-
52130800	SM294C LED40/865 PSU WP WH GM	-
51952700	SM294C LED40/830 PSU WP WH GM	-
72366500	SM294C LED40/830 PSU WH GM	-
01848699	SM294C LED40/840 PSU WH GM	-
01848799	SM294C LED40/865 PSU WH GM	-
01848899	SM295C LED70/840 PSU WH GM	-
01510631	SM295C LED68/830 PSU WH	Not applicable
01510731	SM295C LED68/840 PSU WH	Not applicable
01510831	SM295C LED68/865 PSU WH	Not applicable
01511031	SM295C LED68/840 PSU BK	Not applicable
01511931	SM295C LED68/840 PSU WP WH	Not applicable
01512231	SM295C LED68/840 PSU WP BK	Not applicable
01512331	SM295C LED68/865 PSU WP BK	Not applicable

GreenSpace Surface-mounted

