



# The new generation of energy-saving LED PLL tube lighting

## CorePro LED PLL

Philips CorePro LED PLL is the ideal uplampping solution for downlights & luminaires in a wide range of general lighting applications. It integrates a LED light source into a traditional fluorescent form factor to offer superb energy savings over a lifetime that's twice as long as fluorescent alternatives.

### Benefits

- Reduced operational cost thanks to a lower energy consumption than conventional PLL lamps, as well as lower maintenance cost thanks to a 2-3 times longer lifetime than conventional lamps
- Simple lamp-for-lamp replacement, re-using the existing fixture without major modifications, using a similar PLL form-factor
- Fastest and easiest way to upgrade existing luminaires to LED technology

### Features

- High quality of light, no flickering nor stroboscoping effect
- Instant 100% light
- Choice of 3000 K, 4000 K & 6500 K

### Application

- Hospitality
- Retail
- Office (stairways, corridors)
- Industrial areas

# CorePro LED PLL

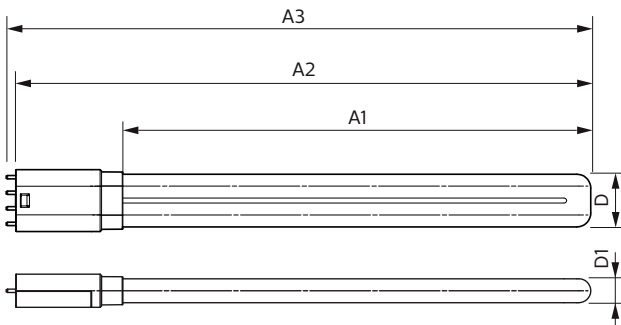
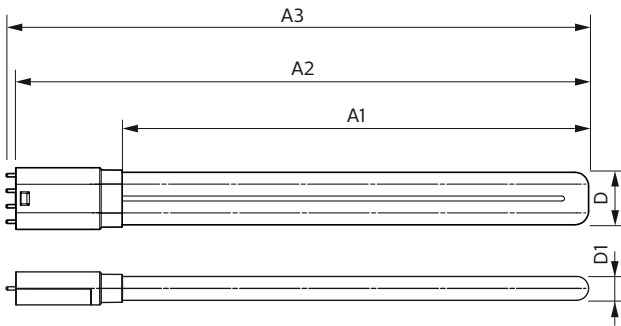
## Versions



LEDtube PLL HF 24W 2G11 830 4P 24D ND

LEDtube COR PLL EU 8W 2G11

## Dimensional drawing

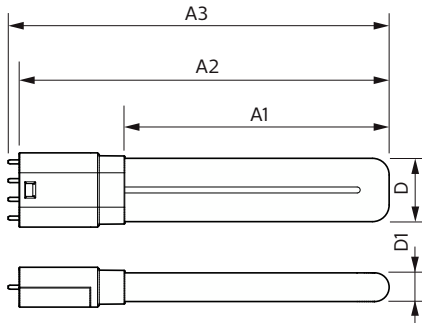


Product	D1	D2	A1	A2	A3
CorePro LED PLL EM/Mains 16.5W 830 4P	17 mm		330 mm	405 mm	412 mm
CorePro LED PLL EM/Mains 16.5W 840 4P	17 mm		330 mm	405 mm	412 mm
CorePro LED PLL HF 16.5W 830 4P 2G11	43.6 mm	23.4 mm	329.5 mm	405 mm	411.6 mm
CorePro LED PLL HF 16.5W 840 4P 2G11	43.6 mm	23.4 mm	329.5 mm	405 mm	411.6 mm
CorePro LED PLL HF 16.5W 865 4P 2G11	43.6 mm	23.4 mm	329.5 mm	405 mm	411.6 mm
LED PLL HF 17W 840 4P 2G11 1PK 10/1	17 mm		330 mm	405 mm	412 mm
LED PLL HF 17W 857 4P 2G11 1PK 10/1	17 mm		330 mm	405 mm	412 mm

Product	D1	D2	A1	A2	A3
CorePro LED PLL EM/Mains 12W 830 4P	17 mm		250 mm	312 mm	319 mm
CorePro LED PLL EM/Mains 12W 840 4P	17 mm		250 mm	312 mm	319 mm
CorePro LED PLL HF 12W 830 4P 2G11	17 mm		250 mm	312 mm	319 mm
CorePro LED PLL HF 12W 840 4P 2G11	17 mm		250 mm	312 mm	319 mm
CorePro LED PLL HF 24W 830 4P 2G11	37.6 mm	17 mm	453 mm	528.5 mm	535.1 mm
CorePro LED PLL HF 24W 840 4P 2G11	37.6 mm	17 mm	453 mm	528.5 mm	535.1 mm
CorePro LED PLL HF 24W 865 4P 2G11	37.6 mm	17 mm	453 mm	528.5 mm	535.1 mm
CorePro LED PLL Mains 24W 830 4P	17 mm		453 mm	528 mm	535 mm
CorePro LED PLL Mains 24W 840 4P	17 mm		453 mm	528 mm	535 mm
LED PLL HF 23W 840 4P 2G11 1PK 10/1	17 mm		453 mm	528 mm	535 mm
LED PLL HF 23W 857 4P 2G11 1PK 10/1	17 mm		453 mm	528 mm	535 mm

# CorePro LED PLL

## Dimensional drawing



Product	D1	D2	A1	A2	A3
CorePro LED PLL EM/Mains 8W 830 4P	17 mm		156 mm	218 mm	224 mm
CorePro LED PLL EM/Mains 8W 840 4P	17 mm		156 mm	218 mm	224 mm
CorePro LED PLL HF 8W 830 4P 2G11	17 mm		155 mm	217 mm	224 mm
CorePro LED PLL HF 8W 840 4P 2G11	17 mm		155 mm	217 mm	224 mm

General Information	
Cap-Base	2G11
Light Technical	
Beam Angle (Nom)	160 degree(s)
LLMF At End Of Nominal Lifetime (Nom)	70 %
Operating and Electrical	
Starting Time (Nom)	0.5 s
Temperature	
Ambient temperature range	-20 °C to 45 °C
Controls and Dimming	
Dimmable	No
Mechanical and Housing	
Bulb Shape	PL-L

## General Information

Order Code	Full Product Name	Switching Cycle	Nominal lifetime
929001381502	CorePro LED PLL HF 16.5W 830 4P 2G11	50,000	30,000 hour(s)
929001381602	CorePro LED PLL HF 16.5W 840 4P 2G11	50,000	30,000 hour(s)
929001381702	CorePro LED PLL HF 16.5W 865 4P 2G11	50,000	30,000 hour(s)
929001835721	LED PLL HF 17W 857 4P 2G11 1PK 10/1	50,000	50,000 hour(s)
929001835821	LED PLL HF 17W 840 4P 2G11 1PK 10/1	50,000	50,000 hour(s)
929003592602	CorePro LED PLL EM/Mains 16.5W 830 4P	200,000	30,000 hour(s)
929003592702	CorePro LED PLL EM/Mains 16.5W 840 4P	200,000	30,000 hour(s)
929001835921	LED PLL HF 23W 857 4P 2G11 1PK 10/1	50,000	50,000 hour(s)

Order Code	Full Product Name	Switching Cycle	Nominal lifetime
929001836021	LED PLL HF 23W 840 4P 2G11 1PK 10/1	50,000	50,000 hour(s)
929001920402	CorePro LED PLL HF 24W 830 4P 2G11	50,000	30,000 hour(s)
929001920502	CorePro LED PLL HF 24W 840 4P 2G11	50,000	30,000 hour(s)
929001920602	CorePro LED PLL HF 24W 865 4P 2G11	50,000	30,000 hour(s)
929003592802	CorePro LED PLL Mains 24W 830 4P	200,000	30,000 hour(s)
929003592902	CorePro LED PLL Mains 24W 840 4P	200,000	30,000 hour(s)
929003579002	CorePro LED PLL HF 12W 830 4P 2G11	50,000	30,000 hour(s)
929003579102	CorePro LED PLL HF 12W 840 4P 2G11	50,000	30,000 hour(s)
929003592402	CorePro LED PLL EM/Mains 12W 830 4P	200,000	30,000 hour(s)

## CorePro LED PLL

Order Code	Full Product Name	Switching Cycle	Nominal lifetime
929003592502	CorePro LED PLL EM/Mains 12W 840 4P	200,000	30,000 hour(s)
929003578802	CorePro LED PLL HF 8W 830 4P 2G11	50,000	30,000 hour(s)
929003578902	CorePro LED PLL HF 8W 840 4P 2G11	50,000	30,000 hour(s)

Order Code	Full Product Name	Switching Cycle	Nominal lifetime
929003592202	CorePro LED PLL EM/Mains 8W 830 4P	200,000	30,000 hour(s)
929003592302	CorePro LED PLL EM/Mains 8W 840 4P	200,000	30,000 hour(s)

### Light Technical

Order Code	Full Product Name	Correlated			
		Color Temperature (Nom)	Color rendering index (CRI)	Color Code	Luminous Flux
929001381502	CorePro LED PLL HF 16.5W 830 4P 2G11	3000 K	83	830	2,000 lm
929001381602	CorePro LED PLL HF 16.5W 840 4P 2G11	4000 K	83	840	2,100 lm
929001381702	CorePro LED PLL HF 16.5W 865 4P 2G11	6500 K	83	865	2,100 lm
929001835721	LED PLL HF 17W 857 4P 2G11 1PK 10/1	5700 K	82	857	2,400 lm
929001835821	LED PLL HF 17W 840 4P 2G11 1PK 10/1	4000 K	82	840	2,400 lm
929003592602	CorePro LED PLL EM/Mains 16.5W 830 4P	3000 K	80	830	2,000 lm
929003592702	CorePro LED PLL EM/Mains 16.5W 840 4P	4000 K	80	840	2,100 lm
929001835921	LED PLL HF 23W 857 4P 2G11 1PK 10/1	5700 K	82	857	3,400 lm
929001836021	LED PLL HF 23W 840 4P 2G11 1PK 10/1	4000 K	82	840	3,600 lm
929001920402	CorePro LED PLL HF 24W 830 4P 2G11	3000 K	83	830	3,200 lm
929001920502	CorePro LED PLL HF 24W 840 4P 2G11	4000 K	83	840	3,400 lm

Order Code	Full Product Name	Correlated			
		Color Temperature (Nom)	Color rendering index (CRI)	Color Code	Luminous Flux
929001920602	CorePro LED PLL HF 24W 865 4P 2G11	6500 K	83	865	3,400 lm
929003592802	CorePro LED PLL Mains 24W 830 4P	3000 K	80	830	3,200 lm
929003592902	CorePro LED PLL Mains 24W 840 4P	4000 K	80	840	3,400 lm
929003579002	CorePro LED PLL HF 12W 830 4P 2G11	3000 K	80	830	1,440 lm
929003579102	CorePro LED PLL HF 12W 840 4P 2G11	4000 K	80	840	1,500 lm
929003592402	CorePro LED PLL EM/Mains 12W 830 4P	3000 K	80	830	1,440 lm
929003592502	CorePro LED PLL EM/Mains 12W 840 4P	4000 K	80	840	1,500 lm
929003578802	CorePro LED PLL HF 8W 830 4P 2G11	3000 K	80	830	960 lm
929003578902	CorePro LED PLL HF 8W 840 4P 2G11	4000 K	80	840	1,000 lm
929003592202	CorePro LED PLL EM/Mains 8W 830 4P	3000 K	80	830	960 lm
929003592302	CorePro LED PLL EM/Mains 8W 840 4P	4000 K	80	840	1,000 lm

### Operating and Electrical

## CorePro LED PLL

Order Code	Full				
	Product Name	Input Frequency	Line Frequency	Power Consumption	Wattage Equivalent
929001381502	CorePro LED PLL HF 16.5W 830 4P 2G11	39000-71000 Hz	39000-71000 Hz	16.5 W	-
929001381602	CorePro LED PLL HF 16.5W 840 4P 2G11	39000-71000 Hz	39000-71000 Hz	16.5 W	-
929001381702	CorePro LED PLL HF 16.5W 865 4P 2G11	39000-71000 Hz	39000-71000 Hz	16.5 W	-
929001835721	LED PLL HF 17W 857 4P 2G11 1PK 10/1	60 Hz	60 Hz	17 W	36 W
929001835821	LED PLL HF 17W 840 4P 2G11 1PK 10/1	60 Hz	60 Hz	17 W	36 W
929003592602	CorePro LED PLL EM/ Mains 16.5W 830 4P	50 to 60 Hz	50 to 60 Hz	16.5 W	-
929003592702	CorePro LED PLL EM/ Mains 16.5W 840 4P	50 to 60 Hz	50 to 60 Hz	16.5 W	-
929001835921	LED PLL HF 23W 857 4P 2G11 1PK 10/1	60 Hz	60 Hz	23 W	55 W
929001836021	LED PLL HF 23W 840 4P 2G11 1PK 10/1	60 Hz	60 Hz	23 W	55 W
929001920402	CorePro LED PLL HF 24W	20000-70000 Hz	20000-70000 Hz	24 W	-

Order Code	Full				
	Product Name	Input Frequency	Line Frequency	Power Consumption	Wattage Equivalent
	830 4P 2G11				
929001920502	CorePro LED PLL HF 24W 840 4P 2G11	20000-70000 Hz	20000-70000 Hz	24 W	-
929001920602	CorePro LED PLL HF 24W 865 4P 2G11	20000-70000 Hz	20000-70000 Hz	24 W	-
929003592802	CorePro LED PLL Mains 24W 830 4P	50 to 60 Hz	50 to 60 Hz	24 W	-
929003592902	CorePro LED PLL Mains 24W 840 4P	50 to 60 Hz	50 to 60 Hz	24 W	-
929003592902	CorePro LED PLL HF 12W 830 4P 2G11	20K-80K Hz	20K-80K Hz	12 W	-
9290035929102	CorePro LED PLL HF 12W 840 4P 2G11	20K-80K Hz	20K-80K Hz	12 W	-
929003592402	CorePro LED PLL EM/ Mains 12W 830 4P	50 to 60 Hz	50 to 60 Hz	12 W	-
929003592502	CorePro LED PLL EM/ Mains 12W 840 4P	50 to 60 Hz	50 to 60 Hz	12 W	-
929003578802	CorePro LED PLL HF 8W 830 4P 2G11	20K-80K Hz	20K-80K Hz	8 W	-

## CorePro LED PLL

Order Code	Full				
	Product Name	Input Frequency	Line Frequency	Power Consumption	Wattage Equivalent
929003578902	CorePro LED PLL HF 8W 840 4P 2G11	20K-80K Hz	20K-80K Hz	8 W	-
929003592202	CorePro LED PLL EM/Mains	50 to 60 Hz	50 to 60 Hz	8 W	-

Order Code	Full				
	Product Name	Input Frequency	Line Frequency	Power Consumption	Wattage Equivalent
929003578902	CorePro LED PLL HF 8W 830 4P				
929003592302	CorePro LED PLL EM/Mains 8W 840 4P	50 to 60 Hz	50 to 60 Hz	8 W	-

### Temperature

Order Code	Full Product Name	T-Case Maximum (Nom)
929001381502	CorePro LED PLL HF 16.5W 830 4P 2G11	70 °C
929001381602	CorePro LED PLL HF 16.5W 840 4P 2G11	70 °C
929001381702	CorePro LED PLL HF 16.5W 865 4P 2G11	70 °C
929001835721	LED PLL HF 17W 857 4P 2G11 1PK 10/1	60 °C
929001835821	LED PLL HF 17W 840 4P 2G11 1PK 10/1	60 °C
929003592602	CorePro LED PLL EM/Mains 16.5W 830 4P	70 °C
929003592702	CorePro LED PLL EM/Mains 16.5W 840 4P	70 °C
929001835921	LED PLL HF 23W 857 4P 2G11 1PK 10/1	60 °C
929001836021	LED PLL HF 23W 840 4P 2G11 1PK 10/1	60 °C
929001920402	CorePro LED PLL HF 24W 830 4P 2G11	70 °C
929001920502	CorePro LED PLL HF 24W 840 4P 2G11	70 °C

Order Code	Full Product Name	T-Case Maximum (Nom)
929001920602	CorePro LED PLL HF 24W 865 4P 2G11	70 °C
929003592802	CorePro LED PLL Mains 24W 830 4P	75 °C
929003592902	CorePro LED PLL Mains 24W 840 4P	75 °C
929003579002	CorePro LED PLL HF 12W 830 4P 2G11	70 °C
929003579102	CorePro LED PLL HF 12W 840 4P 2G11	70 °C
929003592402	CorePro LED PLL EM/Mains 12W 830 4P	70 °C
929003592502	CorePro LED PLL EM/Mains 12W 840 4P	70 °C
929003578802	CorePro LED PLL HF 8W 830 4P 2G11	70 °C
929003578902	CorePro LED PLL HF 8W 840 4P 2G11	70 °C
929003592202	CorePro LED PLL EM/Mains 8W 830 4P	70 °C
929003592302	CorePro LED PLL EM/Mains 8W 840 4P	70 °C

### Mechanical and Housing

Order Code	Full Product Name	Bulb Finish
929001381502	CorePro LED PLL HF 16.5W 830 4P 2G11	-
929001381602	CorePro LED PLL HF 16.5W 840 4P 2G11	-
929001381702	CorePro LED PLL HF 16.5W 865 4P 2G11	-
929001835721	LED PLL HF 17W 857 4P 2G11 1PK 10/1	Frosted
929001835821	LED PLL HF 17W 840 4P 2G11 1PK 10/1	Frosted
929003592602	CorePro LED PLL EM/Mains 16.5W 830 4P	Frosted
929003592702	CorePro LED PLL EM/Mains 16.5W 840 4P	Frosted
929001835921	LED PLL HF 23W 857 4P 2G11 1PK 10/1	Frosted
929001836021	LED PLL HF 23W 840 4P 2G11 1PK 10/1	Frosted
929001920402	CorePro LED PLL HF 24W 830 4P 2G11	-
929001920502	CorePro LED PLL HF 24W 840 4P 2G11	-

Order Code	Full Product Name	Bulb Finish
929001920602	CorePro LED PLL HF 24W 865 4P 2G11	-
929003592802	CorePro LED PLL Mains 24W 830 4P	Frosted
929003592902	CorePro LED PLL Mains 24W 840 4P	Frosted
929003579002	CorePro LED PLL HF 12W 830 4P 2G11	Frosted
929003579102	CorePro LED PLL HF 12W 840 4P 2G11	Frosted
929003592402	CorePro LED PLL EM/Mains 12W 830 4P	Frosted
929003592502	CorePro LED PLL EM/Mains 12W 840 4P	Frosted
929003578802	CorePro LED PLL HF 8W 830 4P 2G11	Frosted
929003578902	CorePro LED PLL HF 8W 840 4P 2G11	Frosted
929003592202	CorePro LED PLL EM/Mains 8W 830 4P	Frosted
929003592302	CorePro LED PLL EM/Mains 8W 840 4P	Frosted

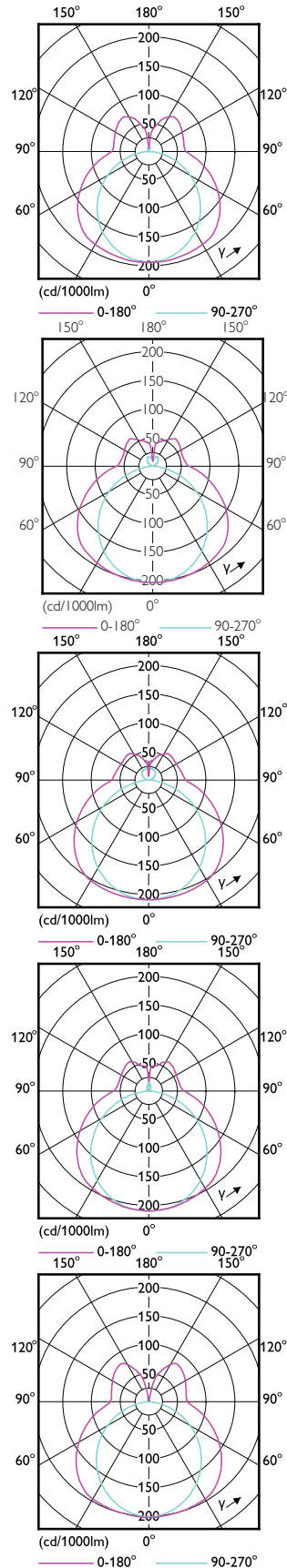
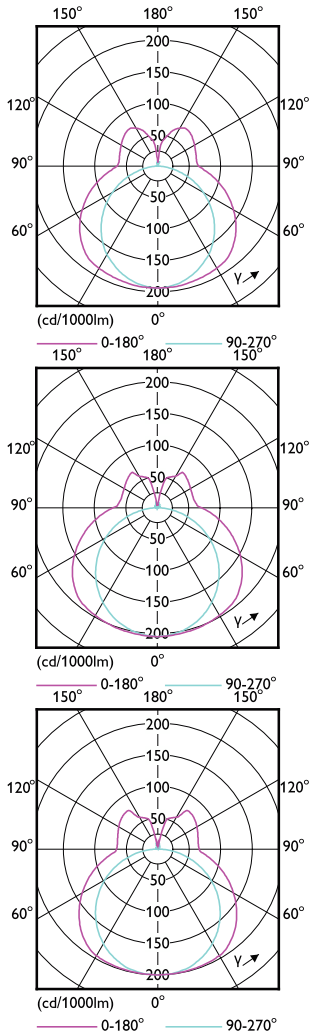
### Approval and Application

Order Code	Full Product Name	Energy Consumption kWh/
		1000 h
929001381502	CorePro LED PLL HF 16.5W 830 4P 2G11	17 kWh
929001381602	CorePro LED PLL HF 16.5W 840 4P 2G11	17 kWh
929001381702	CorePro LED PLL HF 16.5W 865 4P 2G11	17 kWh
929001835721	LED PLL HF 17W 857 4P 2G11 1PK 10/1	-
929001835821	LED PLL HF 17W 840 4P 2G11 1PK 10/1	-

Order Code	Full Product Name	Energy Consumption kWh/
		1000 h
929003592602	CorePro LED PLL EM/Mains 16.5W 830 4P	17 kWh
929003592702	CorePro LED PLL EM/Mains 16.5W 840 4P	17 kWh
929001835921	LED PLL HF 23W 857 4P 2G11 1PK 10/1	-
929001836021	LED PLL HF 23W 840 4P 2G11 1PK 10/1	-
929001920402	CorePro LED PLL HF 24W 830 4P 2G11	24 kWh

# CorePro LED PLL

Order Code	Full Product Name	Energy Consumption kWh/	
		1000 h	
929001920502	CorePro LED PLL HF 24W 840 4P 2G11	24 kWh	
929001920602	CorePro LED PLL HF 24W 865 4P 2G11	24 kWh	
929003592802	CorePro LED PLL Mains 24W 830 4P	24 kWh	
929003592902	CorePro LED PLL Mains 24W 840 4P	24 kWh	
929003579002	CorePro LED PLL HF 12W 830 4P 2G11	12 kWh	
929003579102	CorePro LED PLL HF 12W 840 4P 2G11	12 kWh	
929003592402	CorePro LED PLL EM/Mains 12W 830 4P	12 kWh	
929003592502	CorePro LED PLL EM/Mains 12W 840 4P	12 kWh	
929003578802	CorePro LED PLL HF 8W 830 4P 2G11	8 kWh	
929003578902	CorePro LED PLL HF 8W 840 4P 2G11	8 kWh	
929003592202	CorePro LED PLL EM/Mains 8W 830 4P	8 kWh	
929003592302	CorePro LED PLL EM/Mains 8W 840 4P	8 kWh	



# CorePro LED PLL

