



Simply great LED

Ledinaire SlimDownlight

The LEDINAIRE range contains a selection of popular off-the-shelf LED luminaires that come with the high Philips quality levels at a competitive price. Reliable, energy-efficient and affordable – just what you need

Benefits

- Philips quality and reliability
- Energy saving
- Comfortable diffuse surface of light

Features

- Multiple sizes and light levels available
- Multiple light colors available
- Ultra slim design

Application

- Corridors
- Rest rooms
- Waiting rooms

Ledinaire SlimDownlight

Versions



DN065B G4 LED20 19W D200 RD



LEDINAIRE SlimDownlight-DN065B LED10S



DN065B G4 LED12 12W D150 RD

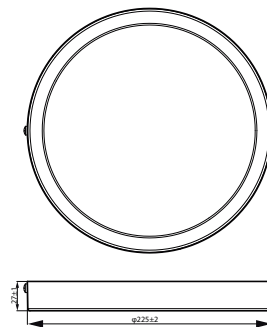
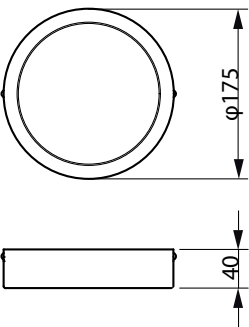
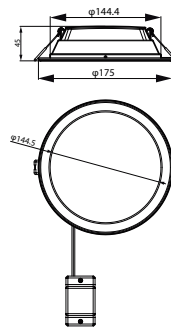
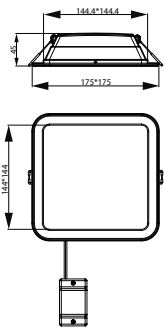


DN065B G3 LDNR LED10 L150 SQ



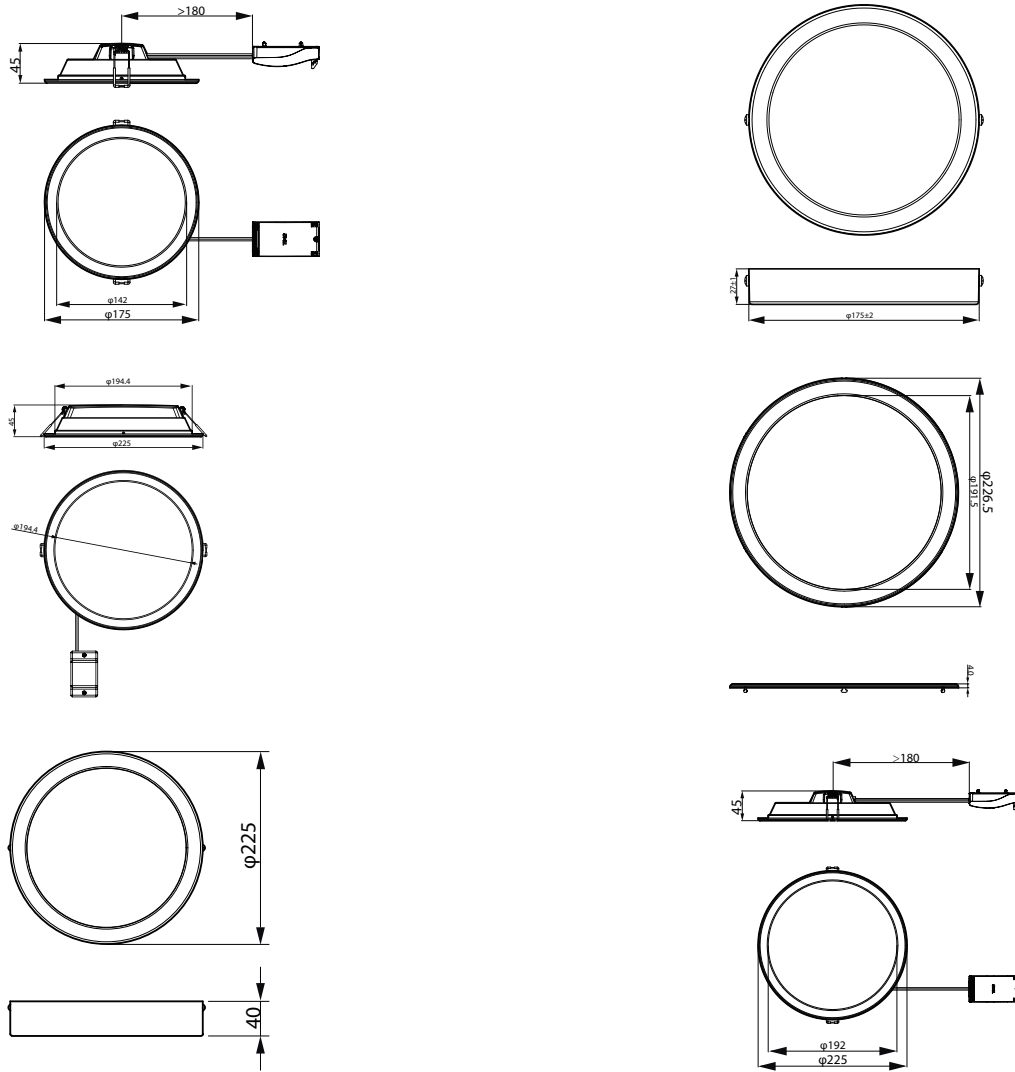
DN065B G4 Trim Accessory Black

Dimensional drawing



Ledinaire SlimDownlight

Dimensional drawing



Product details



Philips Ledinaire slim downlight
surface mounted DT03



Downlight_DN065C_LED20_23W_
D225_RD_EU_45D

Ledinaire SlimDownlight

Product details



Philips Ledinaire slim downlight surface mounted Back DT01



Philips Ledinaire slim downlight surface mounted DT04



Philips Ledinaire slim downlight surface mounted DT01



additional photo



Philips Ledinaire slim downlight recessed DT03



Philips Ledinaire slim downlight recessed DT01



Philips Ledinaire slim downlight recessed Back DT01



Downlight_DN065C_LED10_11W_D175_RD_EU_back



additional photo

Ledinaire SlimDownlight

Product details

Philips Ledinaire slim downlight surface mounted DT02



Philips Ledinaire slim downlight recessed DT02



Philips Ledinaire slim downlight recessed DT04



Downlight_DN065C_LED10_11W_D175_RD_EU_45D



additional photo

Downlight_DN065C_LED20_23W_D225_RD_EU_Back



General Information

Order Code	Full Product Name	Driver		Flammability mark	Glow-wire test	Light source replaceable	Number of gear units
		CE mark	included				
46445200	DN065B G4 LED20/830_840_865 19W D200 RD	CE mark	Yes	For mounting on normally flammable surfaces	-	No	-
46427800	DN065B G4 LED12/830 12W 220-240V D150 RD	CE mark	Yes	For mounting on normally flammable surfaces	-	No	-
46429200	DN065B G4 LED12/840 12W 220-240V D150 RD	CE mark	Yes	For mounting on normally flammable surfaces	-	No	-
46433900	DN065B G4 LED20/830 19W 220-240V D200 RD	CE mark	Yes	For mounting on normally flammable surfaces	-	No	-
46435300	DN065B G4 LED20/840 19W 220-240V D200 RD	CE mark	Yes	For mounting on normally flammable surfaces	-	No	-
46443800	DN065B G4 LED12/830_840_865 12W D150 RD	CE mark	Yes	For mounting on normally flammable surfaces	-	No	-
32904100	DN065C G3 LDNR LED10/840 10.5W D175 RD	Yes	Yes	For mounting on normally flammable surfaces	Temperature 650 °C, duration 30 s	No	1 unit
32906500	DN065C G3 LDNR LED20/830 19.5W D225 RD	Yes	Yes	For mounting on normally flammable surfaces	Temperature 650 °C, duration 30 s	No	1 unit

Ledinaire SlimDownlight

Order Code	Full Product Name	Driver		Flammability mark	Glow-wire test	Light source replaceable	Number of gear units
		CE mark	included				
46447600	DN065C G4 LED12/830 12W 220-240V 6-D175	CE mark	Yes	For mounting on normally flammable surfaces	-	No	-
46449000	DN065C G4 LED12/840 12W 220-240V 6-D175	CE mark	Yes	For mounting on normally flammable surfaces	-	No	-
46451300	DN065C G4 LED20/830 19W 220-240V 8-D225	CE mark	Yes	For mounting on normally flammable surfaces	-	No	-
46453700	DN065C G4 LED20/840 19W 220-240V 8-D225	CE mark	Yes	For mounting on normally flammable surfaces	-	No	-
46439100	DN065B G4 LED12/830 12W 220-240V L150 SQ	CE mark	Yes	For mounting on normally flammable surfaces	-	No	-
46441400	DN065B G4 LED12/840 12W 220-240V L150 SQ	CE mark	Yes	For mounting on normally flammable surfaces	-	No	-
18565400	DN065B G4 Trim Accessory D200 BK	-	-	-	-	-	-

Light Technical (1/2)

Order Code	Full Product Name	All-in Type	Correlated Color Temperature (Nom)	Color rendering index (CRI)	Luminous Efficacy (rated) (Nom)	Luminous Flux	Optic type	Flickering value (PstLM) - Flickering value as per EN 61000-3-3
46445200	DN065B G4 LED20/830_840_865 19W D200 RD	All-in, Multi Color Temperature	3000 K	80	105 lm/W	2,000 lm	Beam angle 110°	0.7
46427800	DN065B G4 LED12/830 12W 220-240V D150 RD	-	3000 K	80	100 lm/W	1,200 lm	Beam angle 110°	0.7
46429200	DN065B G4 LED12/840 12W 220-240V D150 RD	-	4000 K	80	100 lm/W	1,200 lm	Beam angle 110°	0.7
46433900	DN065B G4 LED20/830 19W 220-240V D200 RD	-	3000 K	80	105 lm/W	2,000 lm	Beam angle 110°	0.7
46435300	DN065B G4 LED20/840 19W 220-240V D200 RD	-	4000 K	80	105 lm/W	2,000 lm	Beam angle 110°	0.7
46443800	DN065B G4 LED12/830_840_865 12W D150 RD	All-in, Multi Color Temperature	3000 K	80	100 lm/W	1,200 lm	Beam angle 110°	0.7
32904100	DN065C G3 LDNR LED10/840 10.5W D175 RD	-	4000 K	80	90 lm/W	1,000 lm	Beam angle 110°	0.2
32906500	DN065C G3 LDNR LED20/830 19.5W D225 RD	-	3000 K	80	100 lm/W	2,000 lm	Beam angle 110°	0.2
46447600	DN065C G4 LED12/830 12W 220-240V 6-D175	-	3000 K	80	100 lm/W	1,200 lm	Beam angle 110°	0.7
46449000	DN065C G4 LED12/840 12W 220-240V 6-D175	-	4000 K	80	108 lm/W	1,200 lm	Beam angle 110°	0.7
46451300	DN065C G4 LED20/830 19W 220-240V 8-D225	-	3000 K	80	105 lm/W	2,000 lm	Beam angle 110°	0.7
46453700	DN065C G4 LED20/840 19W 220-240V 8-D225	-	4000 K	80	105 lm/W	2,000 lm	Beam angle 110°	0.7
46439100	DN065B G4 LED12/830 12W 220-240V L150 SQ	-	3000 K	80	100 lm/W	1,200 lm	Beam angle 110°	0.7
46441400	DN065B G4 LED12/840 12W 220-240V L150 SQ	-	4000 K	80	100 lm/W	1,200 lm	Beam angle 110°	0.7
18565400	DN065B G4 Trim Accessory D200 BK	-	-	-	-	-	-	-

Ledinaire SlimDownlight

Light Technical (2/2)

Order Code	Full Product Name	Stroboscopic effect visibility measure (SVM)
46445200	DN065B G4 LED20/830_840_865 19W D200 RD	0.4
46427800	DN065B G4 LED12/830 12W 220-240V D150 RD	0.4
46429200	DN065B G4 LED12/840 12W 220-240V D150 RD	0.4
46433900	DN065B G4 LED20/830 19W 220-240V D200 RD	0.4
46435300	DN065B G4 LED20/840 19W 220-240V D200 RD	0.4
46443800	DN065B G4 LED12/830_840_865 12W D150 RD	0.4
32904100	DN065C G3 LDNR LED10/840 10.5W D175 RD	0.3
32906500	DN065C G3 LDNR LED20/830 19.5W D225 RD	0.3

Order Code	Full Product Name	Stroboscopic effect visibility measure (SVM)
46447600	DN065C G4 LED12/830 12W 220-240V 6-D175	0.4
46449000	DN065C G4 LED12/840 12W 220-240V 6-D175	0.4
46451300	DN065C G4 LED20/830 19W 220-240V 8-D225	0.4
46453700	DN065C G4 LED20/840 19W 220-240V 8-D225	0.4
46439100	DN065B G4 LED12/830 12W 220-240V L150 SQ	0.4
46441400	DN065B G4 LED12/840 12W 220-240V L150 SQ	0.4
18565400	DN065B G4 Trim Accessory D200 BK	-

Operating and Electrical

Order Code	Full Product Name	Input Voltage	Line Frequency	Power Consumption
46445200	DN065B G4 LED20/830_840_865 19W D200 RD	220 to 240 V	50 or 60 Hz	19 W
46427800	DN065B G4 LED12/830 12W 220-240V D150 RD	220 to 240 V	50 or 60 Hz	12 W
46429200	DN065B G4 LED12/840 12W 220-240V D150 RD	220 to 240 V	50 or 60 Hz	12 W
46433900	DN065B G4 LED20/830 19W 220-240V D200 RD	220 to 240 V	50 or 60 Hz	19 W
46435300	DN065B G4 LED20/840 19W 220-240V D200 RD	220 to 240 V	50 or 60 Hz	19 W
46443800	DN065B G4 LED12/830_840_865 12W D150 RD	220 to 240 V	50 or 60 Hz	12 W
32904100	DN065C G3 LDNR LED10/840 10.5W D175 RD	220 to 240 V	50 or 60 Hz	11 W

Order Code	Full Product Name	Input Voltage	Line Frequency	Power Consumption
32906500	DN065C G3 LDNR LED20/830 19.5W D225 RD	220 to 240 V	50 or 60 Hz	20 W
46447600	DN065C G4 LED12/830 12W 220-240V 6-D175	220 to 240 V	50 or 60 Hz	12 W
46449000	DN065C G4 LED12/840 12W 220-240V 6-D175	220 to 240 V	50 or 60 Hz	12 W
46451300	DN065C G4 LED20/830 19W 220-240V 8-D225	220 to 240 V	50 or 60 Hz	19 W
46453700	DN065C G4 LED20/840 19W 220-240V 8-D225	220 to 240 V	50 or 60 Hz	19 W
46439100	DN065B G4 LED12/830 12W 220-240V L150 SQ	220 to 240 V	50 or 60 Hz	12 W
46441400	DN065B G4 LED12/840 12W 220-240V L150 SQ	220 to 240 V	50 or 60 Hz	12 W
18565400	DN065B G4 Trim Accessory D200 BK	-	-	-

Temperature

Order Code	Full Product Name	Ambient temperature range
46445200	DN065B G4 LED20/830_840_865 19W D200 RD	-20 to +40 °C
46427800	DN065B G4 LED12/830 12W 220-240V D150 RD	-20 to +40 °C
46429200	DN065B G4 LED12/840 12W 220-240V D150 RD	-20 to +40 °C
46433900	DN065B G4 LED20/830 19W 220-240V D200 RD	-20 to +40 °C
46435300	DN065B G4 LED20/840 19W 220-240V D200 RD	-20 to +40 °C
46443800	DN065B G4 LED12/830_840_865 12W D150 RD	-20 to +40 °C
32904100	DN065C G3 LDNR LED10/840 10.5W D175 RD	-20 to +40 °C

Order Code	Full Product Name	Ambient temperature range
32906500	DN065C G3 LDNR LED20/830 19.5W D225 RD	-20 to +40 °C
46447600	DN065C G4 LED12/830 12W 220-240V 6-D175	-20 to +40 °C
46449000	DN065C G4 LED12/840 12W 220-240V 6-D175	-20 to +40 °C
46451300	DN065C G4 LED20/830 19W 220-240V 8-D225	-20 to +40 °C
46453700	DN065C G4 LED20/840 19W 220-240V 8-D225	-20 to +40 °C
46439100	DN065B G4 LED12/830 12W 220-240V L150 SQ	-20 to +40 °C
46441400	DN065B G4 LED12/840 12W 220-240V L150 SQ	-20 to +40 °C
18565400	DN065B G4 Trim Accessory D200 BK	-

Controls and Dimming

Ledinaire SlimDownlight

Order Code	Full Product Name	Dimmable
46445200	DN065B G4 LED20/830_840_865 19W D200 RD	No
46427800	DN065B G4 LED12/830 12W 220-240V D150 RD	No
46429200	DN065B G4 LED12/840 12W 220-240V D150 RD	No
46433900	DN065B G4 LED20/830 19W 220-240V D200 RD	No
46435300	DN065B G4 LED20/840 19W 220-240V D200 RD	No
46443800	DN065B G4 LED12/830_840_865 12W D150 RD	No
32904100	DN065C G3 LDNR LED10/840 10.5W D175 RD	No
32906500	DN065C G3 LDNR LED20/830 19.5W D225 RD	No

Order Code	Full Product Name	Dimmable
46447600	DN065C G4 LED12/830 12W 220-240V 6-D175	No
46449000	DN065C G4 LED12/840 12W 220-240V 6-D175	No
46451300	DN065C G4 LED20/830 19W 220-240V 8-D225	No
46453700	DN065C G4 LED20/840 19W 220-240V 8-D225	No
46439100	DN065B G4 LED12/830 12W 220-240V L150 SQ	No
46441400	DN065B G4 LED12/840 12W 220-240V L150 SQ	No
18565400	DN065B G4 Trim Accessory D200 BK	-

Mechanical and Housing

Order Code	Full Product Name	Housing Color
46445200	DN065B G4 LED20/830_840_865 19W D200 RD	White
46427800	DN065B G4 LED12/830 12W 220-240V D150 RD	White
46429200	DN065B G4 LED12/840 12W 220-240V D150 RD	White
46433900	DN065B G4 LED20/830 19W 220-240V D200 RD	White
46435300	DN065B G4 LED20/840 19W 220-240V D200 RD	White
46443800	DN065B G4 LED12/830_840_865 12W D150 RD	White
32904100	DN065C G3 LDNR LED10/840 10.5W D175 RD	White
32906500	DN065C G3 LDNR LED20/830 19.5W D225 RD	White

Order Code	Full Product Name	Housing Color
46447600	DN065C G4 LED12/830 12W 220-240V 6-D175	White
46449000	DN065C G4 LED12/840 12W 220-240V 6-D175	White
46451300	DN065C G4 LED20/830 19W 220-240V 8-D225	White
46453700	DN065C G4 LED20/840 19W 220-240V 8-D225	White
46439100	DN065B G4 LED12/830 12W 220-240V L150 SQ	White
46441400	DN065B G4 LED12/840 12W 220-240V L150 SQ	White
18565400	DN065B G4 Trim Accessory D200 BK	-

Approval and Application

Order Code	Full Product Name	Protection class IEC	Mech. impact protection code	Ingress protection code
46445200	DN065B G4 LED20/830_840_865 19W D200 RD	Safety class II	IK03	IP20/44
46427800	DN065B G4 LED12/830 12W 220-240V D150 RD	Safety class II	IK03	IP20/40
46429200	DN065B G4 LED12/840 12W 220-240V D150 RD	Safety class II	IK03	IP20/40
46433900	DN065B G4 LED20/830 19W 220-240V D200 RD	Safety class II	IK03	IP20/40
46435300	DN065B G4 LED20/840 19W 220-240V D200 RD	Safety class II	IK03	IP20/40
46443800	DN065B G4 LED12/830_840_865 12W D150 RD	Safety class II	IK03	IP20/44
32904100	DN065C G3 LDNR LED10/840 10.5W D175 RD	Safety class II	IK03	IP20/40

Order Code	Full Product Name	Protection class IEC	Mech. impact protection code	Ingress protection code
32906500	DN065C G3 LDNR LED20/830 19.5W D225 RD	Safety class II	IK03	IP20/40
46447600	DN065C G4 LED12/830 12W 220-240V 6-D175	Safety class II	IK03	IP20/40
46449000	DN065C G4 LED12/840 12W 220-240V 6-D175	Safety class II	IK03	IP20/40
46451300	DN065C G4 LED20/830 19W 220-240V 8-D225	Safety class II	IK03	IP20/40
46453700	DN065C G4 LED20/840 19W 220-240V 8-D225	Safety class II	IK03	IP20/40
46439100	DN065B G4 LED12/830 12W 220-240V L150 SQ	Safety class II	IK03	IP20/40
46441400	DN065B G4 LED12/840 12W 220-240V L150 SQ	Safety class II	IK03	IP20/40
18565400	DN065B G4 Trim Accessory D200 BK	-	-	-

Initial Performance (IEC Compliant)

Order Code	Full Product Name	Initial chromaticity	Luminous flux tolerance
46445200	DN065B G4 LED20/830_840_865 19W D200 RD	(0.44, 0.403) SDCM≤5	+/-10%

Order Code	Full Product Name	Initial chromaticity	Luminous flux tolerance
46427800	DN065B G4 LED12/830 12W 220-240V D150 RD	(0.44, 0.403) SDCM≤5	+/-10%

Ledinaire SlimDownlight

Order Code	Full Product Name	Initial chromaticity	Luminous flux tolerance
46429200	DN065B G4 LED12/840 12W 220-240V D150 RD	(0.38, 0.38) SDCM≤5	+/-10%
46433900	DN065B G4 LED20/830 19W 220-240V D200 RD	(0.44, 0.403) SDCM≤5	+/-10%
46435300	DN065B G4 LED20/840 19W 220-240V D200 RD	(0.38, 0.38) SDCM≤5	+/-10%
46443800	DN065B G4 LED12/830_840_865 12W D150 RD	(0.44, 0.403) SDCM≤5	+/-10%
32904100	DN065C G3 LDNR LED10/840 10.5W D175 RD	(IEC4000K, 0.38, 0.38) 5SDCM	+/-10%
32906500	DN065C G3 LDNR LED20/830 19.5W D225 RD	(IEC3000K, 0.44, 0.403) 5SDCM	+/-10%
46447600	DN065C G4 LED12/830 12W 220-240V 6-D175	(0.44, 0.403) SDCM≤5	+/-10%

Order Code	Full Product Name	Initial chromaticity	Luminous flux tolerance
46449000	DN065C G4 LED12/840 12W 220-240V 6-D175	(0.38, 0.38) SDCM≤5	+/-10%
46451300	DN065C G4 LED20/830 19W 220-240V 8-D225	(0.44, 0.403) SDCM≤5	+/-10%
46453700	DN065C G4 LED20/840 19W 220-240V 8-D225	(0.38, 0.38) SDCM≤5	+/-10%
46439100	DN065B G4 LED12/830 12W 220-240V L150 SQ	(0.44, 0.403) SDCM≤5	+/-10%
46441400	DN065B G4 LED12/840 12W 220-240V L150 SQ	(0.38, 0.38) SDCM≤5	+/-10%
18565400	DN065B G4 Trim Accessory D200 BK	-	-

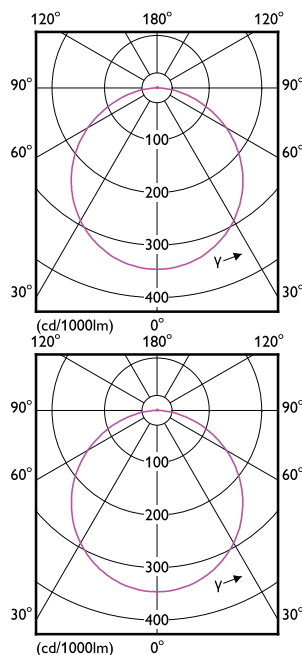
Over Time Performance (IEC Compliant)

Order Code	Full Product Name	Driver failure rate at 5000 h
46445200	DN065B G4 LED20/830_840_865 19W D200 RD	-
46427800	DN065B G4 LED12/830 12W 220-240V D150 RD	-
46429200	DN065B G4 LED12/840 12W 220-240V D150 RD	-
46433900	DN065B G4 LED20/830 19W 220-240V D200 RD	-
46435300	DN065B G4 LED20/840 19W 220-240V D200 RD	-
46443800	DN065B G4 LED12/830_840_865 12W D150 RD	-
32904100	DN065C G3 LDNR LED10/840 10.5W D175 RD	0.6 %
32906500	DN065C G3 LDNR LED20/830 19.5W D225 RD	0.6 %

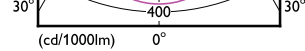
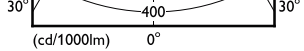
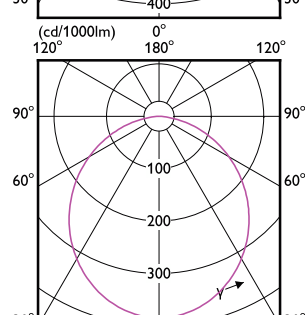
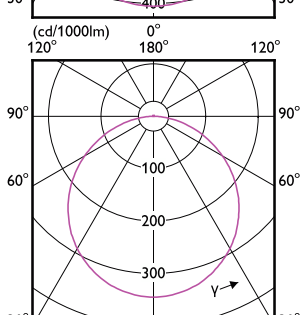
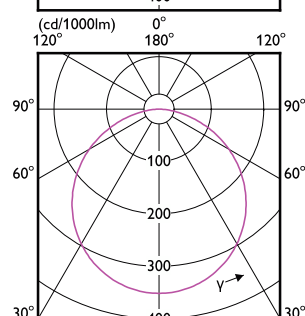
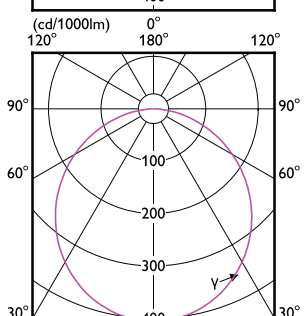
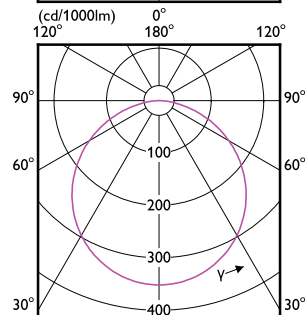
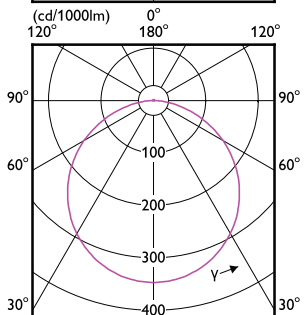
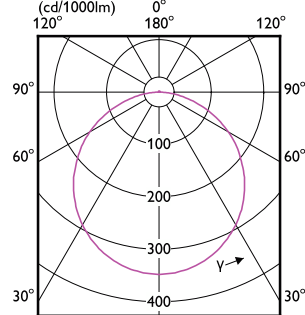
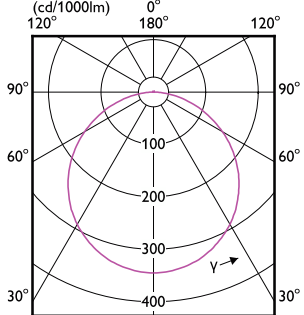
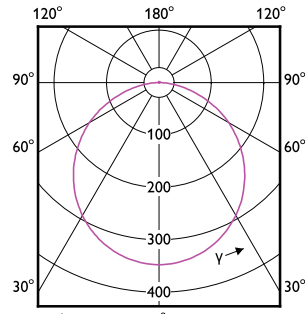
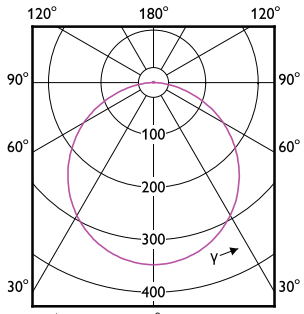
Order Code	Full Product Name	Driver failure rate at 5000 h
46447600	DN065C G4 LED12/830 12W 220-240V 6-D175	-
46449000	DN065C G4 LED12/840 12W 220-240V 6-D175	-
46451300	DN065C G4 LED20/830 19W 220-240V 8-D225	-
46453700	DN065C G4 LED20/840 19W 220-240V 8-D225	-
46439100	DN065B G4 LED12/830 12W 220-240V L150 SQ	-
46441400	DN065B G4 LED12/840 12W 220-240V L150 SQ	-
18565400	DN065B G4 Trim Accessory D200 BK	-

Application Conditions

Order Code	Full Product Name	Suitable for random switching
46445200	DN065B G4 LED20/830_840_865 19W D200 RD	-
46427800	DN065B G4 LED12/830 12W 220-240V D150 RD	-
46429200	DN065B G4 LED12/840 12W 220-240V D150 RD	-
46433900	DN065B G4 LED20/830 19W 220-240V D200 RD	-
46435300	DN065B G4 LED20/840 19W 220-240V D200 RD	-
46443800	DN065B G4 LED12/830_840_865 12W D150 RD	-
32904100	DN065C G3 LDNR LED10/840 10.5W D175 RD	No
32906500	DN065C G3 LDNR LED20/830 19.5W D225 RD	No
46447600	DN065C G4 LED12/830 12W 220-240V 6-D175	-
46449000	DN065C G4 LED12/840 12W 220-240V 6-D175	-
46451300	DN065C G4 LED20/830 19W 220-240V 8-D225	-
46453700	DN065C G4 LED20/840 19W 220-240V 8-D225	-
46439100	DN065B G4 LED12/830 12W 220-240V L150 SQ	-
46441400	DN065B G4 LED12/840 12W 220-240V L150 SQ	-
18565400	DN065B G4 Trim Accessory D200 BK	-



Ledinaire SlimDownlight



Ledinaire SlimDownlight

