



# One solution fitting different interior spaces.

## FastSet, Surface Mounted

Upgrading to LED is a key trend in office applications. Recognizing the need for an easy to use luminaire that can work as the perfect 1:1 replacement of conventional office lighting, we developed FastSet. This luminaire is an ideal choice to quickly achieve the benefits of LED lighting since being the perfect 1:1 replacement, no additional lighting calculation is needed prior to the LED lighting installation. The luminaire simply fits into all different indoor applications. Moreover, it is available in both standalone and through-wiring versions, which makes the luminaires ready-to-connect at a later stage.

### Benefits

- Universal range, one luminaire appropriate for all types of installation
- 1:1 replacement for conventional luminaires
- Fast installation and high reliability

### Features

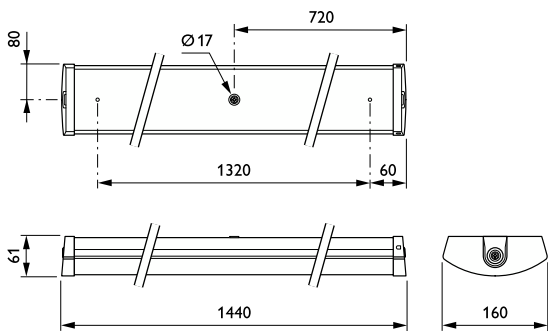
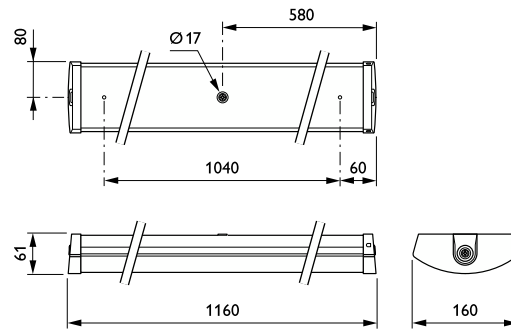
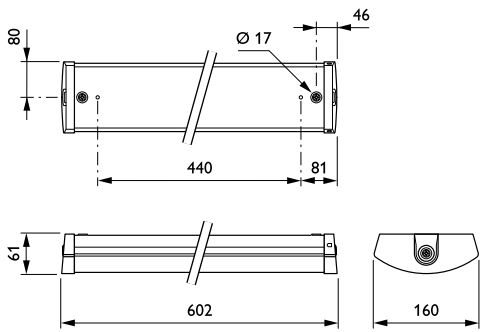
- One luminaire suitable for standalone installation and for connected luminaires via through-wiring option
- Luminaire can be used as standalone application but also in a line of luminaires by simply adding luminaires
- No lighting calculation needed when replacing conventional luminaire with FastSet
- IP44-rated
- Philips branded luminaire

# FastSet, Surface Mounted

## Application

- Office buildings
- Educational spaces
- Garages, interior parking spaces

## Dimensional drawing



## Product details

FastSet-SM150C-3DPP.TIF



FastSet-SM150C-4DPP.TIF



# FastSet, Surface Mounted

## Product details

FastSet-SM150C-5DPP.TIF



FastSet-SM150C-6DPP.TIF



FastSet-SM150C-1DPP.TIF



FastSet-SM150C-2DPP.TIF



FastSet-SM150C-7DPP.TIF



FastSet-SM150C-8DPP.TIF



FastSet-SM150C-9DPP.TIF



# FastSet, Surface Mounted

General Information	
CE mark	Yes
Driver included	Yes
ENEC mark	-
Flammability mark	For mounting on normally flammable surfaces
Glow-wire test	Temperature 850 °C, duration 30 s
Light source replaceable	No
Number of gear units	1 unit
Light Technical	
Beam angle of light source	116 degree(s)
Color rendering index (CRI)	≥80
Optic type	Wide beam
Operating and Electrical	
Input Voltage	220-240 V
Line Frequency	50 to 60 Hz
Temperature	
Ambient temperature range	0 to +35 °C
Controls and Dimming	
Dimmable	No
Mechanical and Housing	
Housing Color	White
Approval and Application	
Protection class IEC	Safety class I
Mech. impact protection code	IK03
Ingress protection code	IP44
Initial Performance (IEC Compliant)	
Luminous flux tolerance	+/-10%
Application Conditions	
Suitable for random switching	Not applicable

## Light Technical

Order Code	Full Product Name	Correlated Color	Luminous Efficacy	Luminous Flux
		Temperature (Nom)	(rated) (Nom)	
38125799	SM150C LED48S/840 PSU TW3 PI5 L1160	4000 K	107 lm/W	4,800 lumen
38126499	SM150C LED48S/830 PSU TW3 PI5 L1160	3000 K	107 lm/W	4,800 lumen
38127199	SM150C LED60S/840 PSU TW3 PI5 L1440	4000 K	109 lm/W	6,000 lumen
38128899	SM150C LED60S/830 PSU TW3 PI5 L1440	3000 K	109 lm/W	6,000 lumen
38493799	SM150C LED37S/840 PSU TW3 PI5 L1440	4000 K	106 lm/W	3,700 lumen
38123399	SM150C LED24S/840 PSU TW3 PI5 L602	4000 K	120 lm/W	2,400 lumen
38124099	SM150C LED24S/830 PSU TW3 PI5 L602	3000 K	120 lm/W	2,400 lumen

## Operating and Electrical

Order Code	Full Product Name	Power Consumption
38125799	SM150C LED48S/840 PSU TW3 PI5 L1160	45 W
38126499	SM150C LED48S/830 PSU TW3 PI5 L1160	45 W
38127199	SM150C LED60S/840 PSU TW3 PI5 L1440	55 W
38128899	SM150C LED60S/830 PSU TW3 PI5 L1440	55 W

Order Code	Full Product Name	Power Consumption
38493799	SM150C LED37S/840 PSU TW3 PI5 L1440	35 W
38123399	SM150C LED24S/840 PSU TW3 PI5 L602	20 W
38124099	SM150C LED24S/830 PSU TW3 PI5 L602	20 W

## Initial Performance (IEC Compliant)

## FastSet, Surface Mounted

Order Code	Full Product Name	Initial chromaticity
38125799	SM150C LED48S/840 PSU TW3 PI5 L1160	(0.3828, 0.3803) 5SDCM
38126499	SM150C LED48S/830 PSU TW3 PI5 L1160	(0.4344, 0.4032) 5SDCM
38127199	SM150C LED60S/840 PSU TW3 PI5 L1440	(0.3828, 0.3803) 5SDCM
38128899	SM150C LED60S/830 PSU TW3 PI5 L1440	(0.4344, 0.4032) 5SDCM

Order Code	Full Product Name	Initial chromaticity
38493799	SM150C LED37S/840 PSU TW3 PI5 L1440	(0.3828, 0.3803) 5SDCM
38123399	SM150C LED24S/840 PSU TW3 PI5 L602	(0.3828, 0.3803) 5SDCM
38124099	SM150C LED24S/830 PSU TW3 PI5 L602	(0.4344, 0.4032) 5SDCM

### Application Conditions

Order Code	Full Product Name	Maximum dim level
38125799	SM150C LED48S/840 PSU TW3 PI5 L1160	-
38126499	SM150C LED48S/830 PSU TW3 PI5 L1160	-
38127199	SM150C LED60S/840 PSU TW3 PI5 L1440	-
38128899	SM150C LED60S/830 PSU TW3 PI5 L1440	-

Order Code	Full Product Name	Maximum dim level
38493799	SM150C LED37S/840 PSU TW3 PI5 L1440	Not applicable
38123399	SM150C LED24S/840 PSU TW3 PI5 L602	-
38124099	SM150C LED24S/830 PSU TW3 PI5 L602	-

