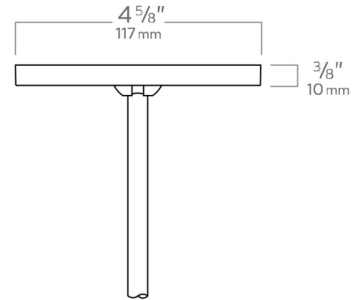




Stem kit

ST01:

36" length 3/8" diameter satin aluminum stem with matching canopy.



A simple but dynamic mounting system

Vetro Pendants Suspension Kit

Satin machined aluminum and hand-blown opal glass. A handsome proportion of materials engineered to provide a functional design element and an efficient luminaire.~LT~br~GT~LT~/~GT~LT~br~GT~LT~/br~GT~LT~b~GT~Must order: Power Head and Glass separately.

Benefits

- Mounting detail fit for a suspended decorative cylinder

Features

- Braided cable and aluminum stem mount options

Application

- Fashion
- Office